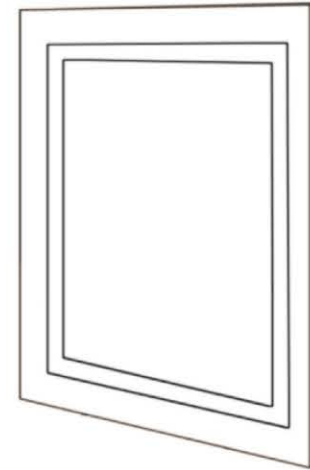


# Installation Manual



Please retain this manual after installation for future reference and maintenance.

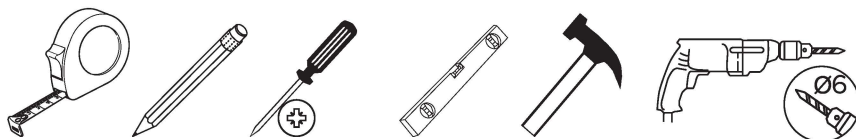
Images are for installation purposes only.



## IMPORTANT

Handle with care, impact can damage the mirror.  
Use of safety equipment is advised.

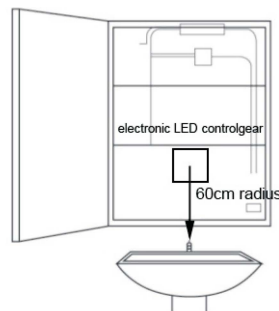
## Tools Required(not provided)



## Electrical Safety Installation Information

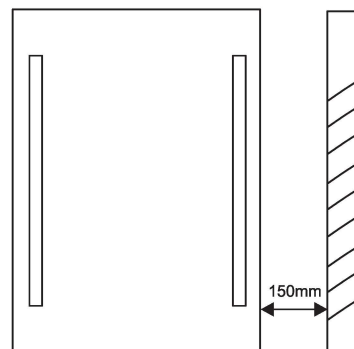
PLEASE NOTE:

- All electrical products should be fitted by a suitably qualified electrician in accordance with national wiring regulations (BS7671).
- Ensure mains power supply is switched off before starting any electrical installation.
- Before drilling, ensure there are no hidden cables or pipes in the wall.
- The product is IP 44 rated and suitable for Zone 2:  
Zone 2 is an area stretching 0.6m outside the perimeter of the bath and to a height of 2.25m from the floor. In this zone an IP rating of at least IP 44 is required. In addition it is good practice to consider the area around a wash basin, within a 60cm radius of any tap to be considered as zone 2. However the connection to the mains supply must be outside the zone.



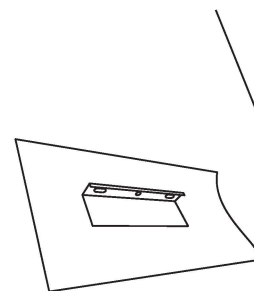
## Product Specification

Wattage	Max.15W
Voltage	220-240V, 50Hz
Certificate	CE, IP44, RoHS



Ensure the sensor are positioned at least 150mm away from any solid surface including walls.

1



check 4-1



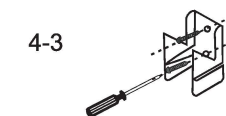
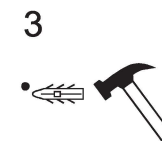
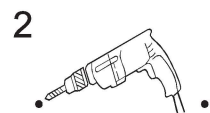
check 4-2



check 4-3

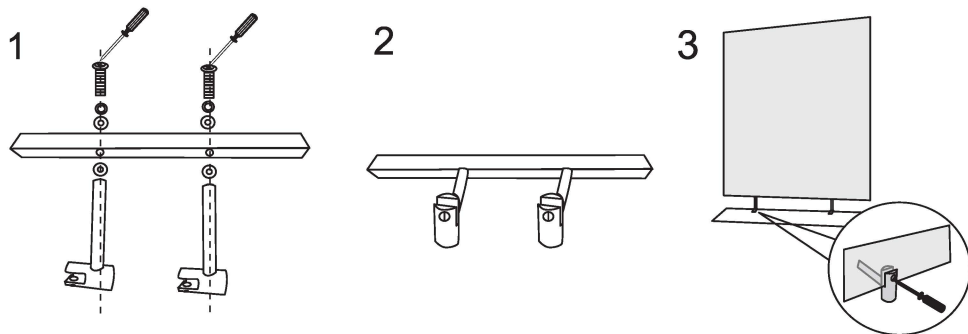
Please Note: There are three different types of fitting brackets please check which style is on the mirror you have purchased.

2



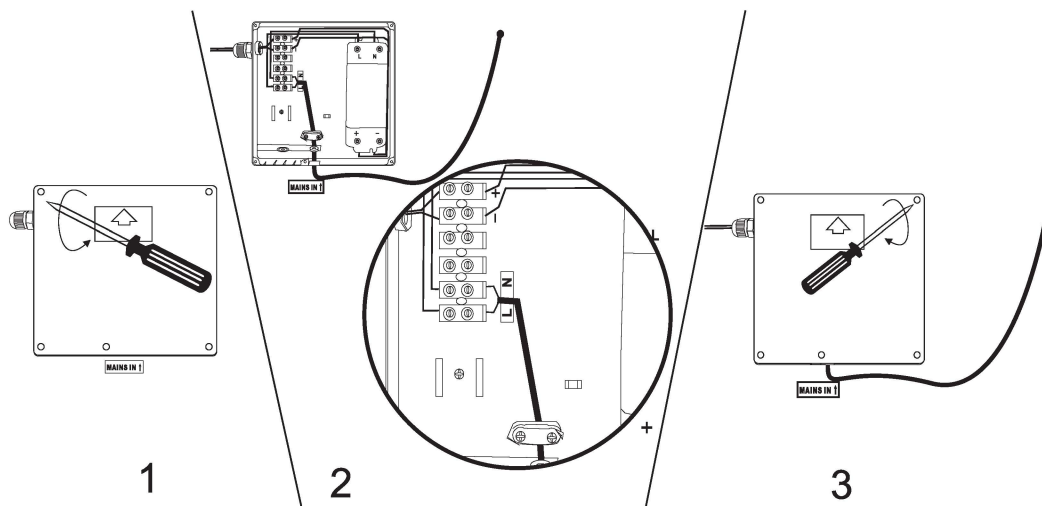
Measure the distance between the two brackets, mark the distance on the wall, check the marks are level, drill the holes, insert the wall plugs and fix according to 4-1, 4-2 or 4-3

3



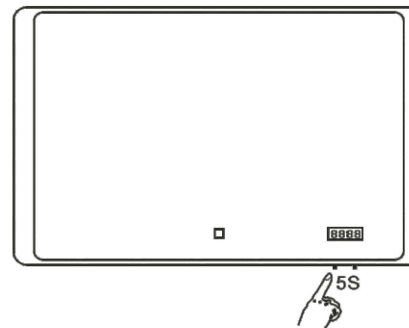
If a product comes without glass shelf, please ignore step 3.

4

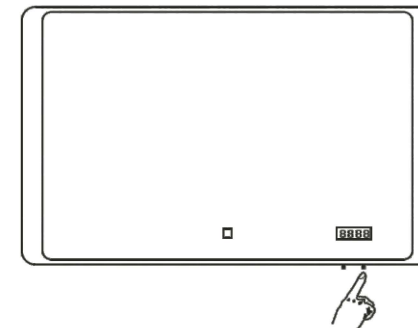


5

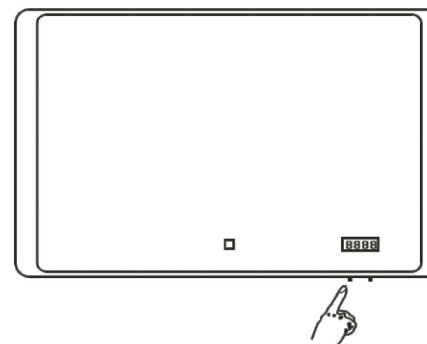
If the product comes with a clock, please further follow step 5.



a) Press and hold the left button till the Hr/Min digits flash.



b) Press the right button to reset the Hr/Min.



c) Press the left button again to end the setting.

# Check out our full range of Bathroom Accessories

Bathroom Accessory Sets

Heated Towel Rails

Bathroom Extractor Fans

Bathroom Lighting

Shower Seats

Grab Rails

Shower Curtains

Toilet Brushes

Bathroom Cleaning Products

## Wall Mounted Bathroom Accessories

Robe Hooks

Bathroom Tumblers

Toilet Roll Holders

Soap Dishes

Towel Rings

Shower Caddies

## Bathroom Mirrors

Standard Bathroom Mirrors

LED Bathroom Mirrors

Shaving Mirrors

**plumbworld**  
**Big brands, small prices.**