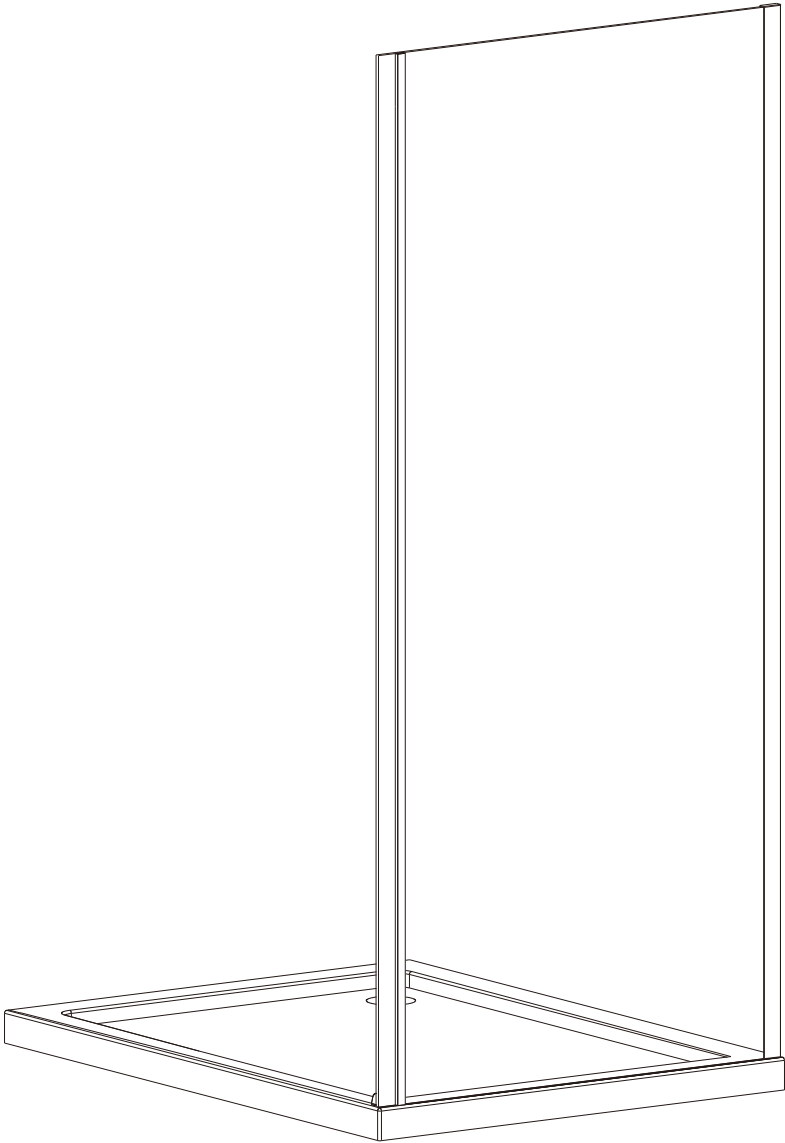


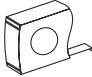


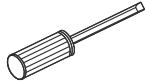
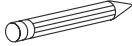
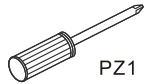

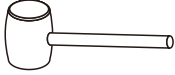
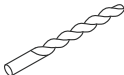

# 8MM FRAMELESS SIDE PANEL GUIDE




## General Information

Please inspect this product upon delivery. Any missing parts or manufacturing defects must be reported immediately to the supplier. Damage or defects reported later will not be accepted. TAKE CARE WHEN HANDLING GLASS PARTS-AVOID HEAVY CONTACT BETWEEN THE GLASS EDGES AND ANY HARD SURFACE. Glass breakage claims will not be accepted after the product has been unpacked.

## TOOLS REQUIRED

DESCRIPTION	PART IMAGE	DESCRIPTION	PART IMAGE
Tape measure		Drill	
Spirit level		Flat-head Screwdriver	
Pencil		Cross head Screwdriver	 PZ1
Ø6mm Drill bit		Mallet	
Ø3mm Drill bit		Silicone Sealant	

 This product is heavy and may require two people to install.

# ASSEMBLY INSTRUCTIONS - DRAWING



(1) 2x Inner Washers

(2) 1x Pressing Plate

(3) 2x Screws M5x20 (Sink Head)

(4) 1x Cover Cap (Guide Rail)

(5) 1x Wall Post Cover Cap

(6) 1x Wall Profile

(7) 1x Wedge Gasket Seal

(8) 1x Fixed Panel

(9) 1x Seal A

(10) 4x Screws 4x16

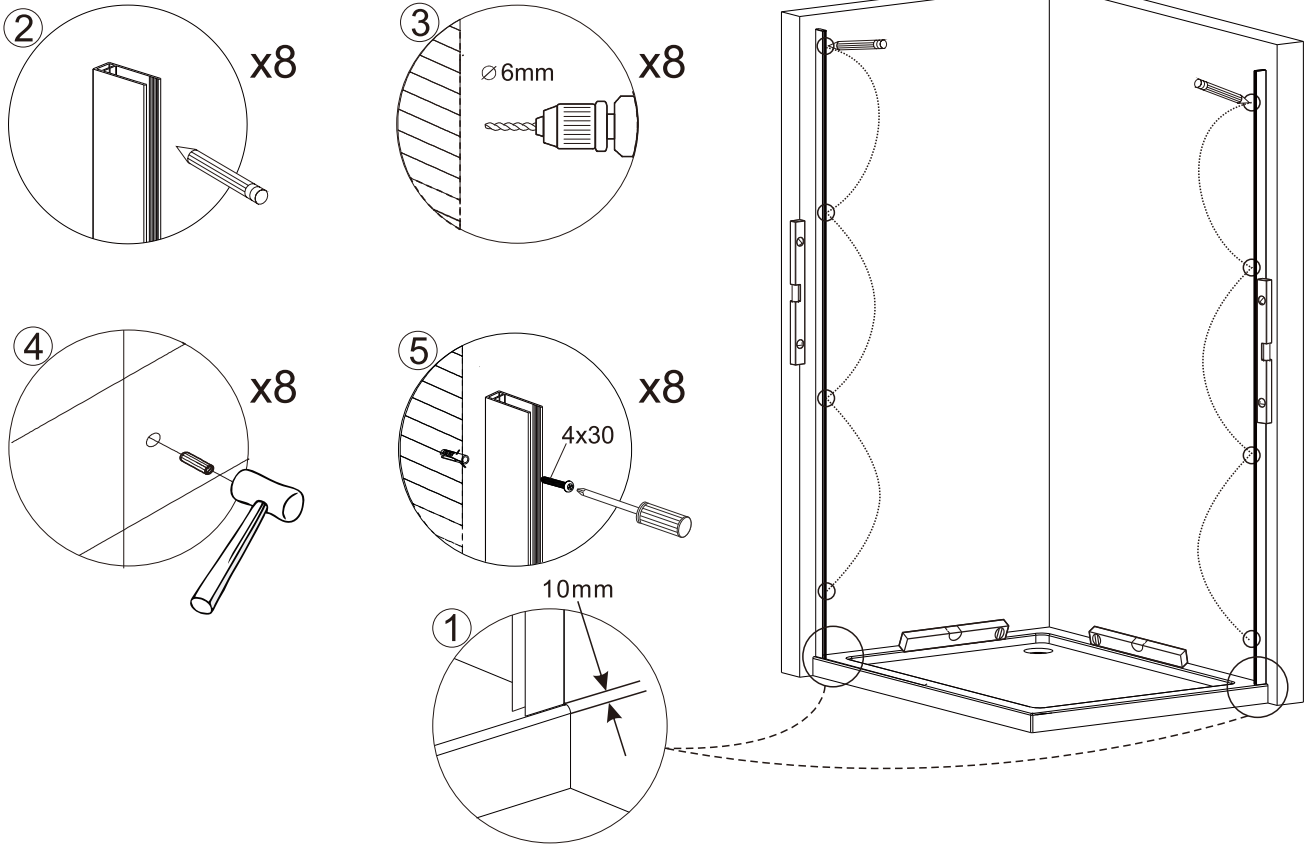
(11) 6x PVC Hoses

(12) 1x Seal B

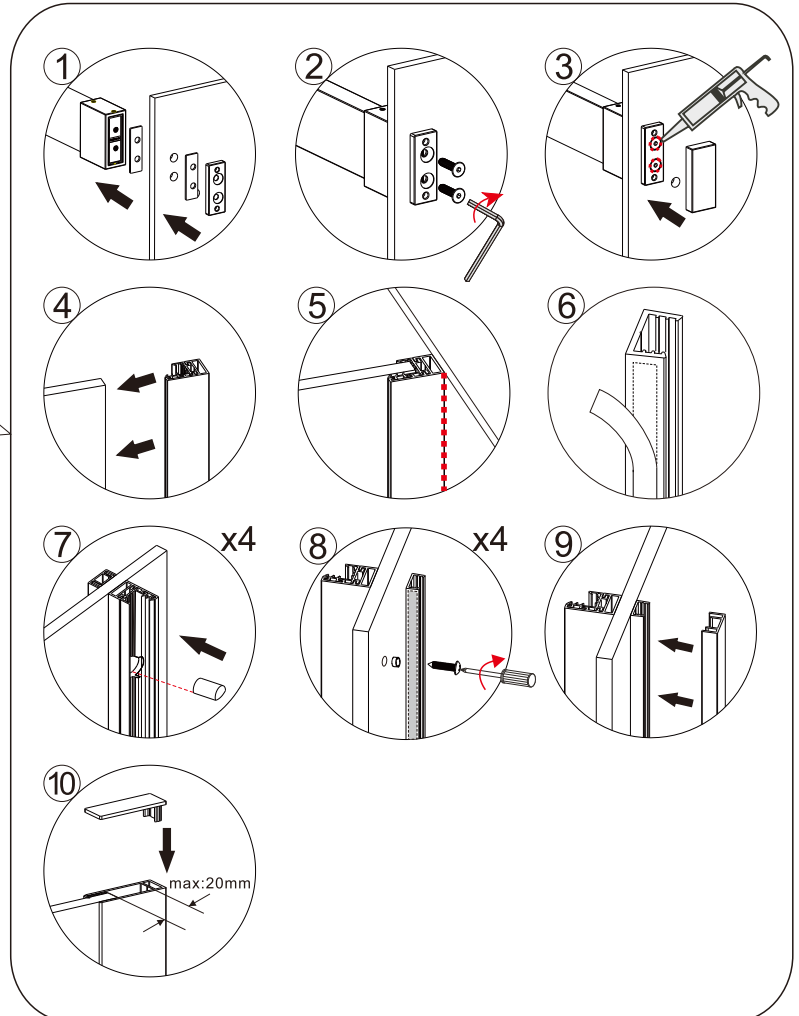
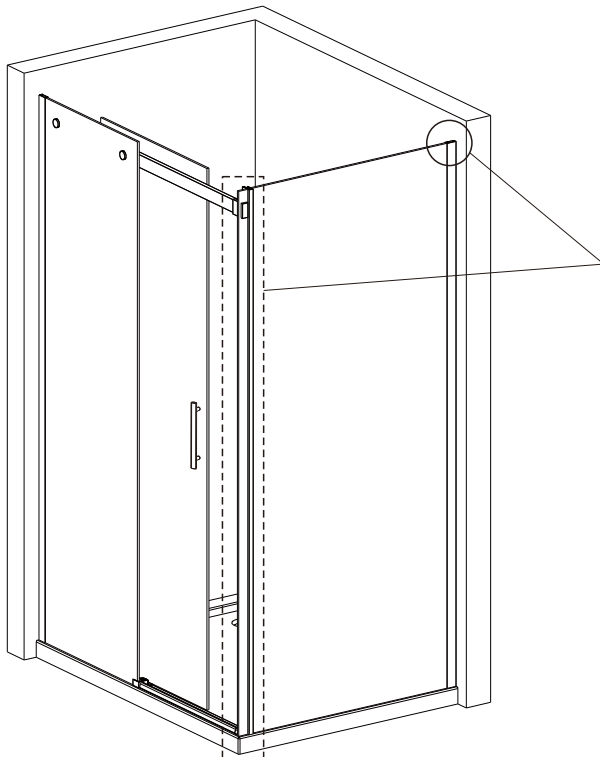
## CORNER INSTALLATION WITH A SIDE PANEL

Please ensure that the shower tray is level and checked with a spirit level. The tray should be installed first. Tiles should then be tiled down to the tray. The enclosure can then be installed.

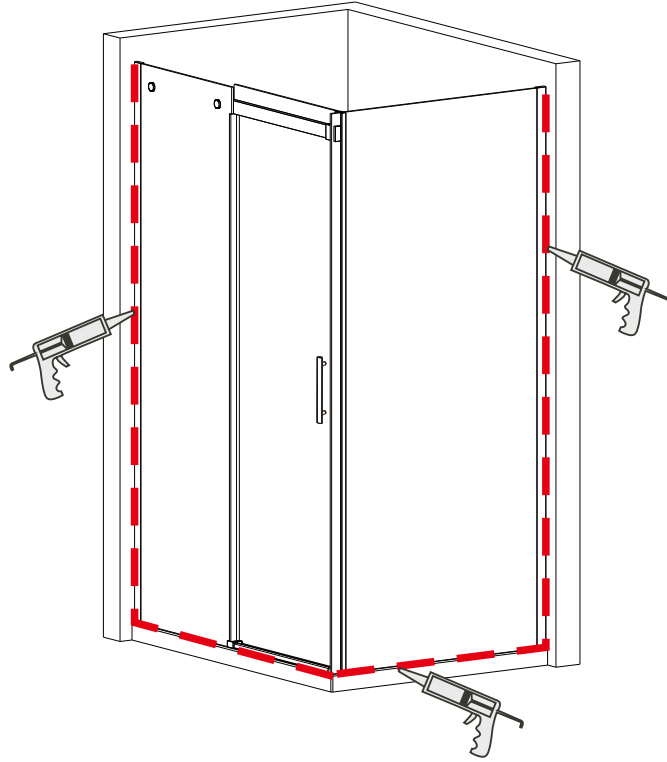
### Step 1



### Step 2



### Step 3



**Allow 24 hours for silicone to dry before use. Silicone on the outside edge only, NOT THE INSIDE**