

## Shower Jets

### Installation Guide

#### Plumbing Systems and Water Pressure

All products are suitable for all UK Water Authority supply pressures. If these shower jets is installed at low pressure (tank fed) then the minimum height from the outlet to the underside of the cold tank should be 1.8 metres to ensure adequate performance.

This shower jets should be installed in accordance with the current Water Regulations. Any claims that may arise will be dealt with on the basis that isolating valves are fitted.

#### Water Pressure:

We recommend a minimum water pressure of 0.5 Bar and a maximum of 5 Bar to ensure efficient operation of your product.

#### Cleaning/General Care

Chrome and Gold plated finishes should be cleaned with warm water and a soft cloth, rinsed and then immediately buffed with a dry soft cloth. Under no circumstances must any aggressive or abrasive cleaning agents be used. The use of any abrasive agents or materials will invalidate the guarantee.

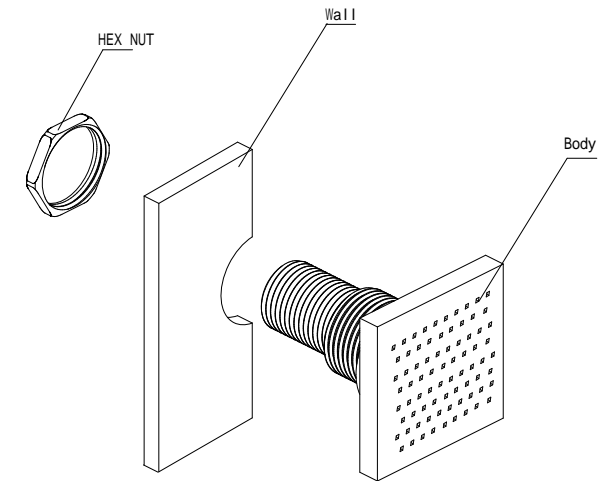
#### Customer Care Helpline

Telephone: 01386 800750

Email: [customerservices@plumbworld.co.uk](mailto:customerservices@plumbworld.co.uk)

Prior to installation, please check that your plumbing system is adequate and that all pipes have been sufficiently flushed through.

1. Take off the hex nut from the body jet, then put the water inlet tube into the hole of wall.
2. Use the hex nut to lock the body jet in place.
3. Connect the threaded tube to the water supply.



## **Check out our full range of Showers**

Electric Showers

Digital Showers

Mixer Showers

Power Showers

Smart Showers

Shower Towers

## **From Top Shower Brands**

Mira Showers

Aqualisa Showers

Triton Showers

Gainsborough Showers

## **Shower Pumps can upgrade your showering experience even more**

Stuart Turner Shower Pumps

Salamander Shower Pumps

Grundfos Shower Pumps

**plumbworld**  
**Big brands, small prices.**