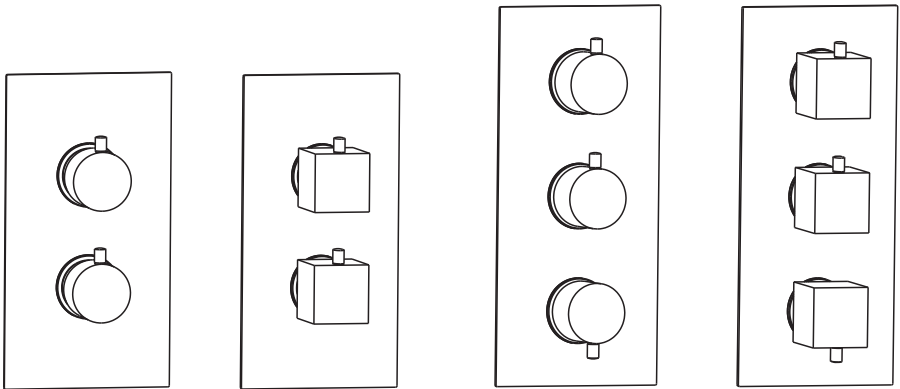


Thermostatic Concealed Shower Valve General Installation Instruction



Handles & Concealing Plates may vary,
depending on model chosen.

Email: customerservices@plumbworld.co.uk

Sales Hotline: 01386 800750

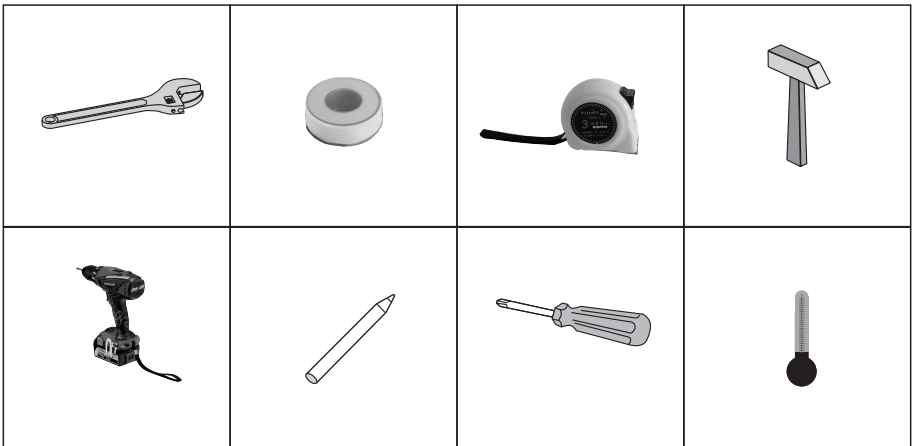
MUST READ – IMPORTANT

We highly recommend this instruction is read carefully before you start installation. Please retain it after installation for future reference and maintenance.

First, open the box and check all items are present as per this instruction. Also make sure any other items that you need are available too e.g. compression fittings, wrench, PTFE tape.

Installation must comply with Local/ National supply regulations/ Authority and byelaws inc. Building and Plumbing regulations.

YOU MAY NEED



ASSEMBLY & PARTS LIST

No.	Name	Qty
1	valve body	1
2	check valve	2
3	filter	2
4	O-ring $\Phi 19 \times 2$	2
5	check valve gland	2
6	O-ring $\Phi 3.35 \times 1.78$	2
7	screw on check valve gland	2
8	thermostatic collar	1
9	thermostatic control ring	1
10	O-ring $\Phi 28 \times 2$	1
11	thermostatic gland	1
12	thermostatic adapter	1
13	d12 flat gasket	2
14	M4x10 cross slot screw	2
15	plate	1
16	O-ring $\Phi 36 \times 1.9$	2
17	trim ring	2
18	O-ring $\Phi 37 \times 1.5$	2
19	handle	2
20	inner hexagonal screw	2
21	handle lever	2
22	flow adapter	1
23	O-ring $\Phi 9 \times 2$	1
24	flow cartridge fixer	1
25	O-ring $\Phi 28 \times 2$	1
26	flow collar	1
27	nylon gasket	1
28	diverter cartridge	1
29	thermostatic cartridge	1
30	fittings bag	1

No.	Name	Qty
1	valve body	1
2	check valve	2
3	flow cartridge	1
4	filter	2
5	O-ring $\Phi 19 \times 2$	2
6	check valve gland	2
7	O-ring $\Phi 3.35 \times 1.78$	2
8	screw on check valve gland	2
9	flow collar	1
10	flow adapter	2
11	d12 flat gasket	3
12	M4x10 cross slot screw	3
13	plate	1
14	O-ring $\Phi 36 \times 1.9$	3
15	trim ring	3
16	O-ring $\Phi 37 \times 1.5$	3
17	handle	3
18	inner hexagonal screw	3
19	handle lever	3
20	thermostatic adapter	1
21	thermostatic control ring	1
22	O-ring $\Phi 28 \times 2$	2
23	diverter gland	1
24	thermostatic collar	1
25	diverter collar	1
26	thermostatic gland	1
27	nylon gasket	1
28	thermostatic cartridge	1
29	diverter cartridge	1
30	fittings bag	1

OPERATING SPECIFICATIONS

Hot Water Supply Temperature

Maximum:85°C

Minimum hot water supply temperature:10°C higher than the maximum required mixer temperature.

Operating Pressures:

Maximum operating pressure 5 bar

Minimum operating pressure 0.5 bar

GENERAL INSTALLATION

This is a mixing system and hot and cold supplies must be reasonably balanced for proper flow (outlet).

Prior to making the inlet connections; please ensure all pipes are properly and thoroughly flushed to clear any debris etc.

You should satisfy yourself that this is clean. Failure to do so may result in a low flow rate from mixing device.

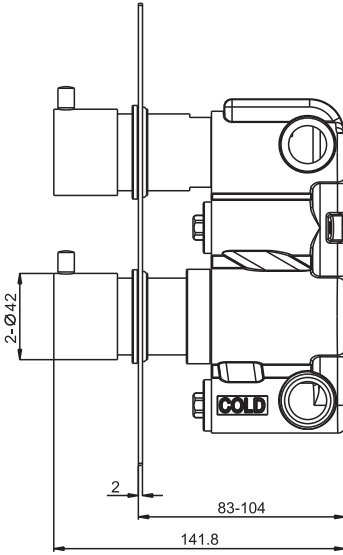
We strongly recommend fitting of isolating valves to the inlet pipes to assist in future maintenance of the valve.

Please take great care when installing this valve not to damage its surface.

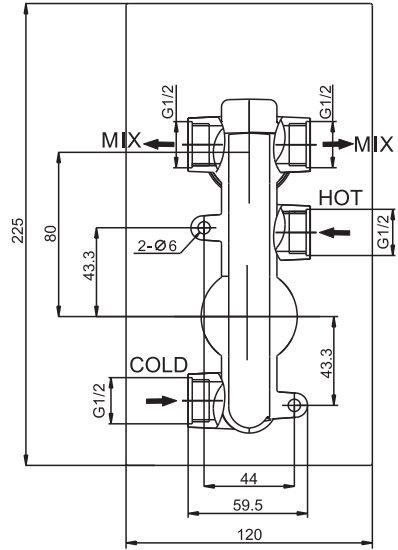
Use a reducer to the inlet feeds if water pressure is above 5 bar.

DIMENSIONS

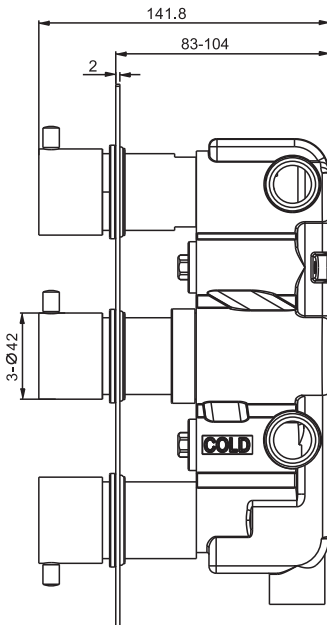
View From Side



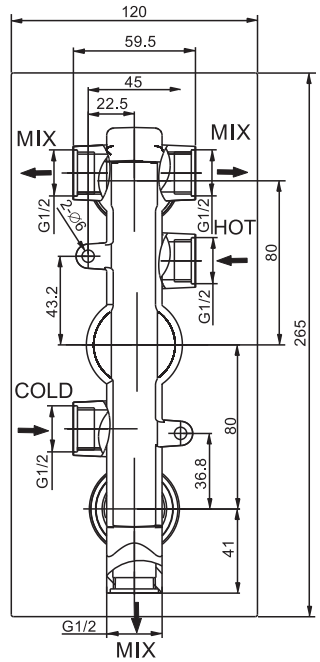
View From Back



View From Side



View From Back

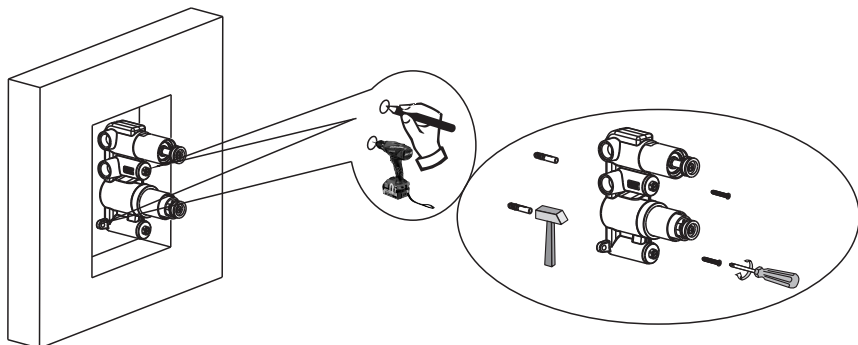


INSTALLATION

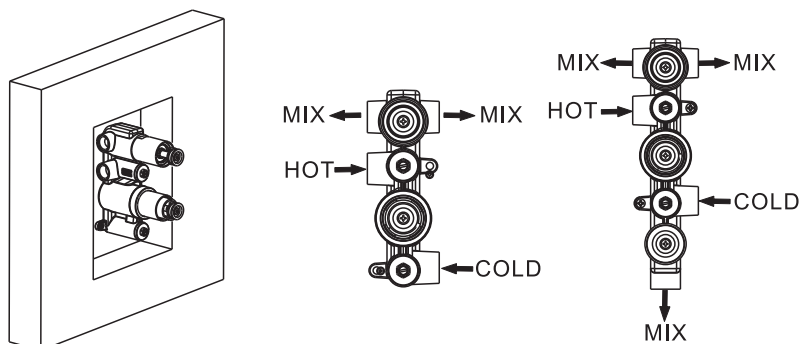
Clear/ Rinse pipework thoroughly and carefully for a reasonable amount of time prior to fitting the valve. No dirt, metal, wood shavings, debris or foreign material should block the filters fitted on the inlets of the valve.

WARNING: Before drilling any holes, ensure no cables or pipes are in the way. The valves must be set into the wall with a minimum of 83mm.

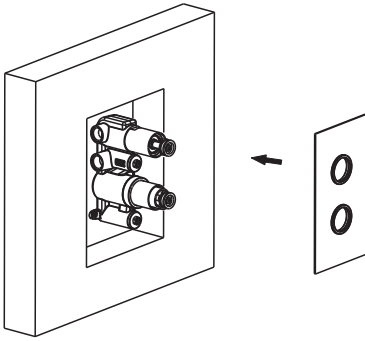
When fitted into a partition wall or a soft substrate please use specialist fixings to hold it in place.



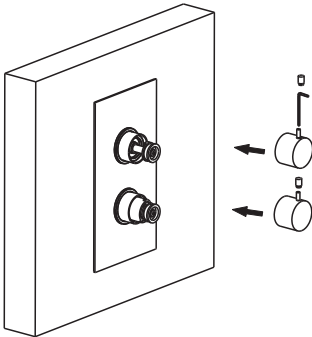
1. Select shower valve position and insert it in the wall cavity, then mark fixing points with a builder's pencil/pen. Pull the valve out and drill suitable depth holes at the marked positions. Use wall plugs and screws to secure the valve.



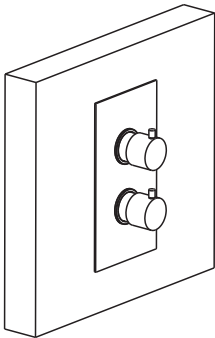
2. Hot supply inlet (found on the left on the valve) to be connected with hot supply and cold supply (found on the right of the valve) connected accordingly. Connect all outlets where required - to fixed head shower / hand shower/ riser kit/ bath filler etc.



3. Fit the concealing plate using a bead of clear silicone sealant on the back.



4. Fit the control handles, secure with the grub screws and handle levers or covers depending on the handle design.



5. Turn the flow control handle(s) fully to start the water flow.

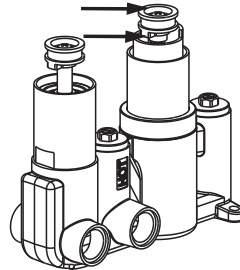
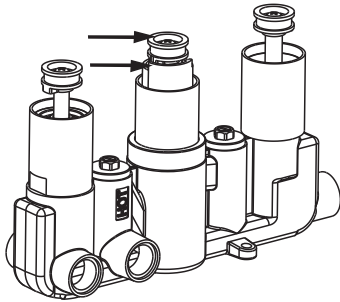
6. Turn the thermostatic handle fully clockwise, this is the maximum cold temperature position, ensure that the water runs cold (on a dual valve this is the bottom handle & on a triple valve this is the middle handle).

7. Turn the thermostatic handle back full anti-clockwise, this is the maximum hot temperature position, ensure that the water runs hot.

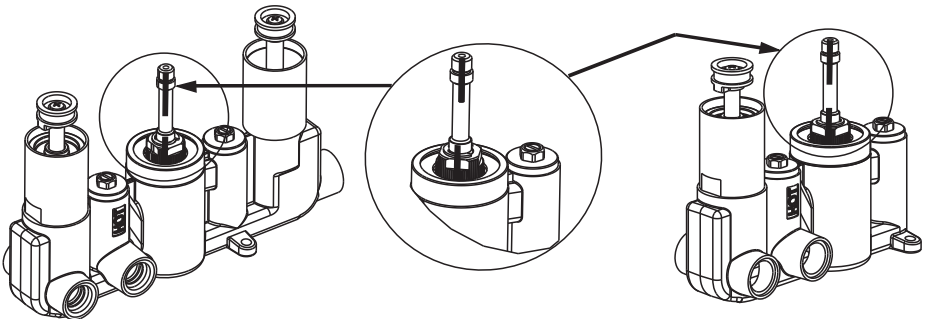
TEMPERATURE RESETTING

These valves are factory set under balanced pressure with hot supply coming in at 65 Celsius. If your installations are significantly different then the water temperature may vary from setting.

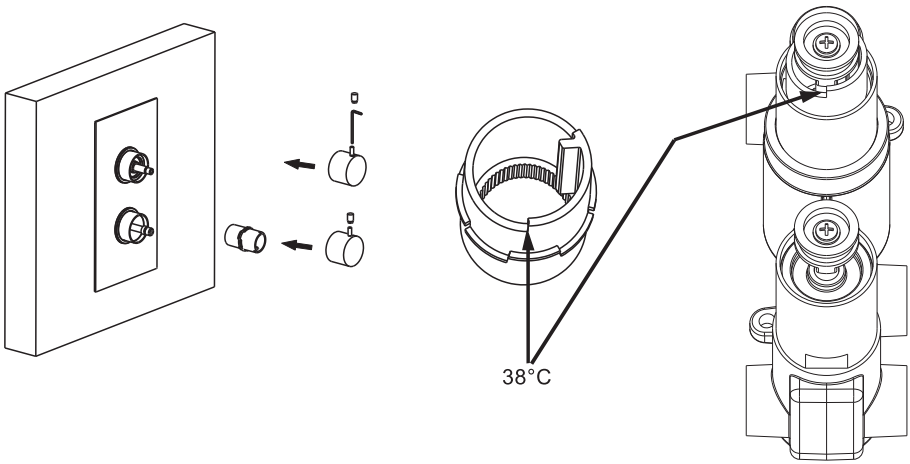
If the difference is too much then we recommend you to calibrate the valve to suit requirements of your installation as follows:-



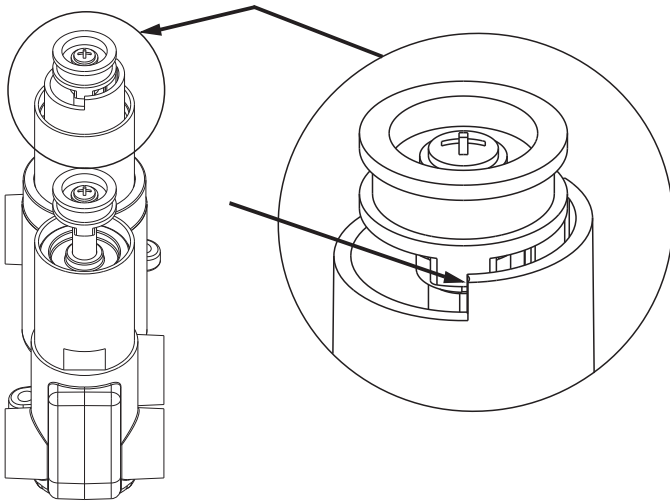
1. Remove the screw, handle adaptor and temperature control ring from thermostatic cartridge (on a dual valve this is the bottom cartridge & on a triple valve this is the middle cartridge)



2. There are 2 red lines on the thermostatic cartridge, keep them in one line, and then turn the spindle anti-clockwise when the water tests colder (turn the spindle clockwise when the water tests hotter), and measure the water temperature on the outlet by thermometer, adjust to the required temperature.



3.Re-fit the temperature control ring back point to 12 o'clock position.



4.Re-fit the handle adaptor and make sure the protrusion at the bottom points to 12 o'clock position as well, and secure the screw and handles.

CARE OF THE VALVE

Due care is required to maintain the valve and care must be taken whilst cleaning for brand new refreshing looks at all times.

Cleaning of this item should only be done by using a soft cloth and clean water. Do not use any chemical cleaning products or abrasive items.

If above instructions are not adhered to, this will invalidate your guarantees.

MAINTENANCE

As water quality is different all over, the filters of cartridges and other parts housed inside the valve may become dirty / clogged which will result in reduced flow and inefficient valve operation.

To clean, please remove the thermostatic cartridge from the housing to clean its filters.

1. Shut off the water supply with isolating valves on both hot/cold inlets.
2. Unscrew the handles by unscrewing the holding screws. Pull out the handle, adaptor, temperature control ring
3. Now remove the cartridge with a wrench or similar tool.
4. Rinse the filters to remove dirt thoroughly, soak them in a de scaling agent or even vinegar. Do it as thoroughly as possible.
5. The housing of the thermostatic cartridge must also be cleaned thoroughly with a wet cloth. The O rings of the cartridge should be greased too.
6. Now reassemble the cartridge ensuring temperature control ring and handle adaptor point to 12 o'clock position as per above step 3 & 4 installation section.
7. Finally, make sure everything is secure and tight. Water supply can now be turned on from the isolating valves.
8. Ensure you are happy with it at this stage, check water temperature and if not ok then calibrate as explained above.

TROUBLE SHOTTING

If you followed the instructions carefully and your valve still does not work properly, take these corrective steps.

Problem	Possible Cause	Action
<p>Outlet temperature too cold</p>	<ul style="list-style-type: none"> ● No hot water reaching valve ● Filter block ● If the fault has been present since the valve was installed it is possible that the inlets were installed incorrectly ● The water supply will be colder in winter months due to outside temperature 	<ul style="list-style-type: none"> ● Check the water supply for any blockages ● Remove filters and clean ● Check installation-Hot on the left /cold on the right ● It may be necessary to adjust the hot supply. i.e. increase the hot water temperature setting on boiler
<p>Outlet temperature too hot</p>	<ul style="list-style-type: none"> ● No cold water reaching valve ● Filter block ● If the fault has been present since the valve was installed it is possible that the inlets were installed incorrectly ● The water supply will be hotter in summer months due to outside temperature 	<ul style="list-style-type: none"> ● Check the water supply for any blockages ● Remove filters and clean ● Check installation-Hot on the left /cold on the right ● It may be necessary to adjust the hot supply. i.e. decrease the hot water temperature setting on boiler
<p>Only hot or cold water from valve outlet</p>	<ul style="list-style-type: none"> ● Possible that the inlets have been installed the incorrect way around ● If only cold water is coming out of the mixer it is possible there is a cartridge fault ● Filters blocked 	<ul style="list-style-type: none"> ● Check that the inlets are installed correctly-Hot on the left/cold on the right ● Remove and check the condition of the thermostatic cartridge ● Remove filters and clean

<p>Cannot Adjust temperature</p>	<ul style="list-style-type: none"> ● Possible that the cartridge is sticking due to a lime scale build up ● Over ride temperature manually 	<ul style="list-style-type: none"> ● Remove the thermostatic cartridge and service. ● Remove the temperature handle by removing the end cap and center retaining screw turn the flow of water on fully and turn the cartridge spindle anti-clockwise to increase the water temperature and clockwise to decrease the water temperature
<p>Poor flow rate</p>	<ul style="list-style-type: none"> ● Insufficient water pressure ● Filters partially blocked ● Flow valve not fully opening 	<ul style="list-style-type: none"> ● The required minimum water pressure is 0.5bar(5Mpa) ● Remove filter and clean ● Remove and check the condition of the flow valve
<p>Water leaking from shower head when the valve is turned off/closed</p>	<ul style="list-style-type: none"> ● This can be normal for a short period time after the shower has been used ● Check that the pressures do not exceed of that stated for the product ● Flow valve leaking 	<ul style="list-style-type: none"> ● N/A ● If pressures are too high adjust as necessary, refer to technical data ● Remove and check the condition of the flow valve
<p>Water leaking from shower valve /controls</p>	<ul style="list-style-type: none"> ● Leaking from flow valve ● Leaking from thermostatic cartridge ● Check that the pressures do not exceed that stated for the product 	<ul style="list-style-type: none"> ● Remove and check the condition of the flow valve. ● Remove and check the condition of the thermostatic cartridge. ● Check that the pressures do not exceed that stated. If pressures are too high adjust as necessary. Refer to technical data