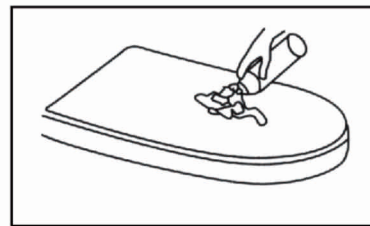
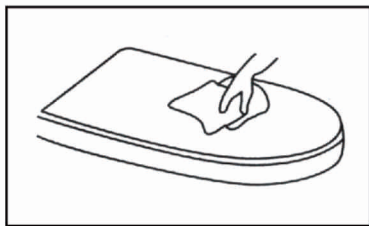


INSTALLATION INSTRUCTION OF TOILET SEAT

1、BEFORE INSTALLATION

- Please read the instructions carefully, get to know our seats and get prepared with the required tool in advance. Follow the instructions to install the seat correctly
- Please keep the instructions available after reading it carefully
- Please refer to the actual product if it is different from the photo shown.

2、MAINTENANCE

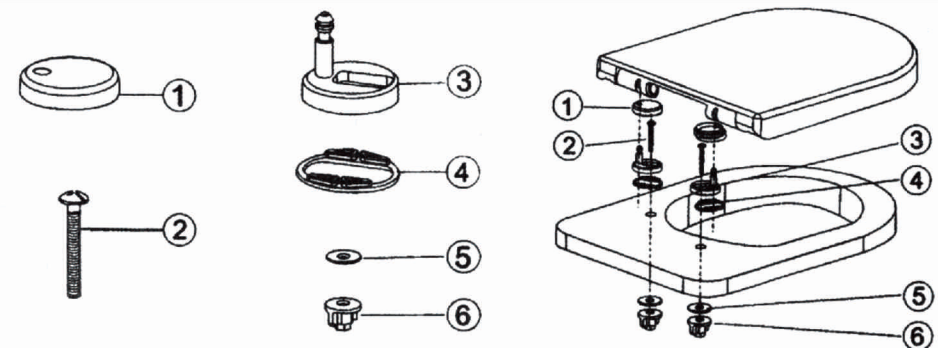
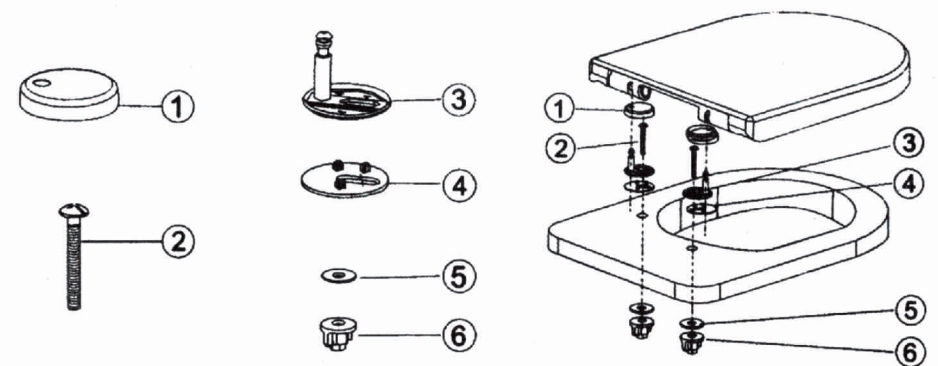
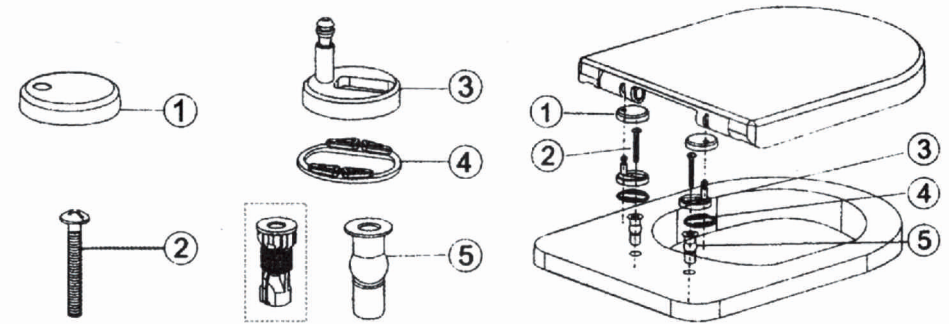
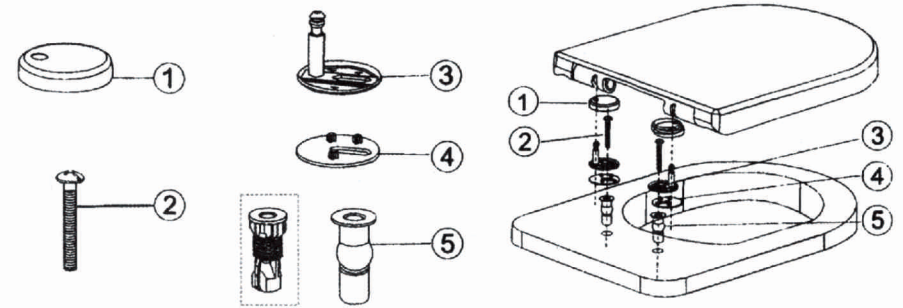


- Regular Maintenance
 - Wipe the toilet seat with soft wet cloth.
 - Clean the toilet seat with neutral cleanser, and then dry it with clean cloth
- Eradicator
 - Don't clean the toilet seat with lapping powder.
 - Don't use any disinfectant, eradicant or spraying cleanser.
 - Keep the toilet seat away from chemicals and cosmetics.

3. CAUTIONS

- Please do not close the seat or cover forcibly to extend the soft-close function lifespan.
- Please do not clean the seat or cover with strong chemical cleaners or rigid brushes. (to avoid harming the seat & cover)
- Please do not place heavy objects on the cover. Please avoid sitting forcefully and suddenly on the seat or cover. (to avoid making the seat & cover break)
- Please do not expose the seat or cover to direct sunlight for too long. Avoid any direct strong light or high temperature. (to avoid making seat & cover fade)

4、INSTALLATION INSTRUCTION OF DIFFERENT HINGES (PLEASE CHOOSE THE RIGHT HINGE)



Check out our full range of Bathroom Suites

Bathroom Suites By Range

Cloakroom Suites

Toilets

Bathroom Sinks / Wash Basins

Bidets

Baths

Wide variety of toilets

Close Coupled Toilets

Wall Hung Toilets

Back To Wall Toilets

Furniture unit toilets

Huge Selection of Baths

Acrylic Baths

Steel Baths

Shower baths

Freestanding baths

Small baths

Corner baths

Whirlpool baths

Don't forget the important bathroom suite extras

Bath panels

Toilet seats

plumbworld
Big brands, small prices.