



**STORED &  
SECURED.**

# VAN VAULT 2

Part No: S10810

## THE ORIGINAL. THE ULTIMATE.

Tool theft is rife and on the rise. Meet that challenge with the toughest, most secure version of the original Van Vault 2.

All your valuable kit is stored and secured behind a heavy duty steel body with a reinforced lid and advanced protection Vaultlock™ locking system.

Van Vault 2 is the first secure storage product for vehicles to have been independently tested and certified by Sold Secure and Secured by Design, the UK's Police preferred specification.

If you can't afford to be without your tools, you can't afford to be without the Van Vault 2.



### CONSTRUCTION

- Built with a 3mm steel construction with fully phosphated anti-corrosion protection.
- Strong gas strut support arm ensures a soft open and close lid action. Positioned through the side of the box to optimise storage space.

### HANDLES

- Drop down recessed handles with rubber pads provide maximum comfort when lifting.
- Bolt-on lid handle designed to shear off if attacked.

### VAULTLOCK™

- Fitted with a highly effective 70mm anti-pick, anti-drill and anti-rust stainless steel disc lock.
- Positioned deep within the body of the box, protected by a hardened steel plate.
- Supplied with 3 keys.

### ACCESSIBILITY

- Wide mouth drop front for greater access and visibility of contents inside.

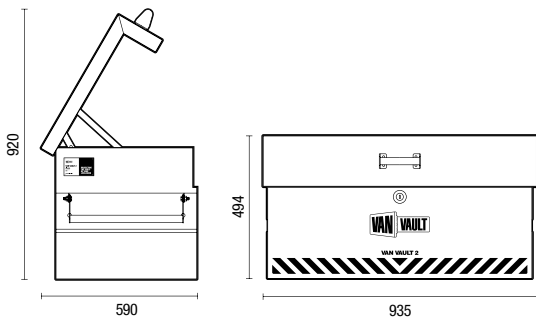
### LID

- The flush front lid protects against attacks with crowbars or car jacks.
- Reinforcing plates, lid front brace and cross bracing all protect the lid from being prised open.

### INSTALLATION

- 4 reinforced fixing points for easy installation to the vehicle floor - instructions & bolts supplied.
- Pre-drilled fitting points for optional castors.

### SPECIFICATION



### STORAGE



<b>Model Number:</b>	S10810
<b>Product Type:</b>	Secure Storage Vehicle Box
<b>External Size:</b>	935 (L) x 590 (D) x 494 (H)
<b>External Size With Lid Open:</b>	935 (L) x 590 (D) x 920 (H)
<b>Internal Size:</b>	790 (L) x 430 (D) x 478 (H)
<b>Weight:</b>	48kg

<b>Power Tools</b>	✓	<b>Piping</b>	✗
<b>Large Power Tools</b>	✗	<b>Small Transformers</b>	✓
<b>Hand Tools</b>	✓	<b>Large Transformers</b>	✗
<b>Large Hand Tools</b>	✗	<b>Power Tool Accessories</b>	✓

**VANVAULT.CO.UK**

