



**STORED &
SECURED.**

XL

Part No: S10840

STORE MORE.

Bigger and bolder, keep more of your equipment secure with the Van Vault XL. When your work means you need bigger tools, you need a bigger vehicle security box.

Suited to large vehicles, you can take more with you without the worry of theft. That means everything is on hand and every job can be completed.

The XL is accredited by Sold Secure and the UK's official police initiative - Secured by Design.



CONSTRUCTION

- Built with a 3mm steel construction with fully phosphated anti-corrosion protection.
- Strong gas strut support arm ensures a soft open and close lid action. Positioned through the side of the box to optimise storage space.

HANDLES

- Drop down recessed handles with rubber pads provide maximum comfort when lifting.
- Bolt-on lid handle designed to shear off if attacked.

VAULTLOCK™

- Fitted with 2 highly effective 70mm anti-pick, anti-drill and anti-rust stainless steel disc locks.
- The locks are positioned deep within the body of the box, protected by hardened steel plates.
- Supplied with 3 keys (per lock).

ACCESSIBILITY

- Wide mouth drop front for greater access and visibility of contents inside.

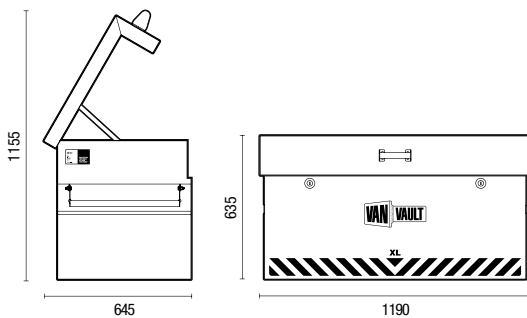
LID

- The flush front lid protects against attacks with crowbars or car jacks.
- Reinforcing plates, lid front brace and cross bracing all protect the lid from being prised open.

INSTALLATION

- 4 reinforced fixing points for easy installation to the vehicle floor - instructions & bolts supplied.
- Pre-drilled fitting points for optional castors.

SPECIFICATION



STORAGE



Model Number:	S10840
Product Type:	Secure Storage Vehicle Box
External Size:	1190 (L) x 645 (D) x 635 (H)
External Size With Lid Open:	1190 (L) x 645 (D) x 1155 (H)
Internal Size:	1150 (L) x 580 (D) x 595 (H)
Weight:	82kg

Power Tools	✓	Piping	✗
Large Power Tools	✓	Small Transformers	✓
Hand Tools	✓	Large Transformers	✓
Large Hand Tools	✓	Power Tool Accessories	✗

VANVAULT.CO.UK

