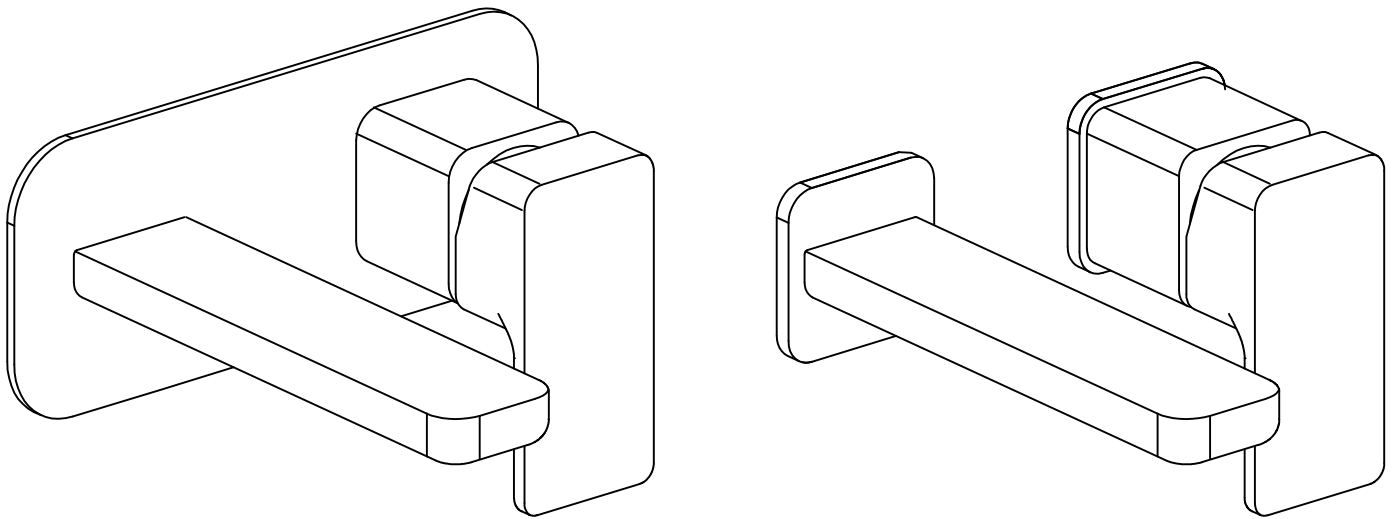


GENERAL FITTING GUIDE

SINGLE LEVER WALL MOUNTED MIXERS

PRODUCT SHOWN WILL VARY
DEPENDING ON MODEL



Guarantee & Aftercare

When installing or using tools, extra care must be taken to avoid damaging the finish or fitting. To maintain the appearance, please ensure it is cleaned regularly using a clean soft damp cloth only. Abrasive cleaners or detergents must not be used as they may cause surface deterioration. The company provides a guarantee against faulty material or manufacture excluding serviceable parts, providing they have been installed, cared for and used in accordance with our instructions.

Water Supply Regulations

This product has been manufactured to comply with the appropriate BS EN Standards and to conform to Water Supply Regulations 1999.

Earth Bonding

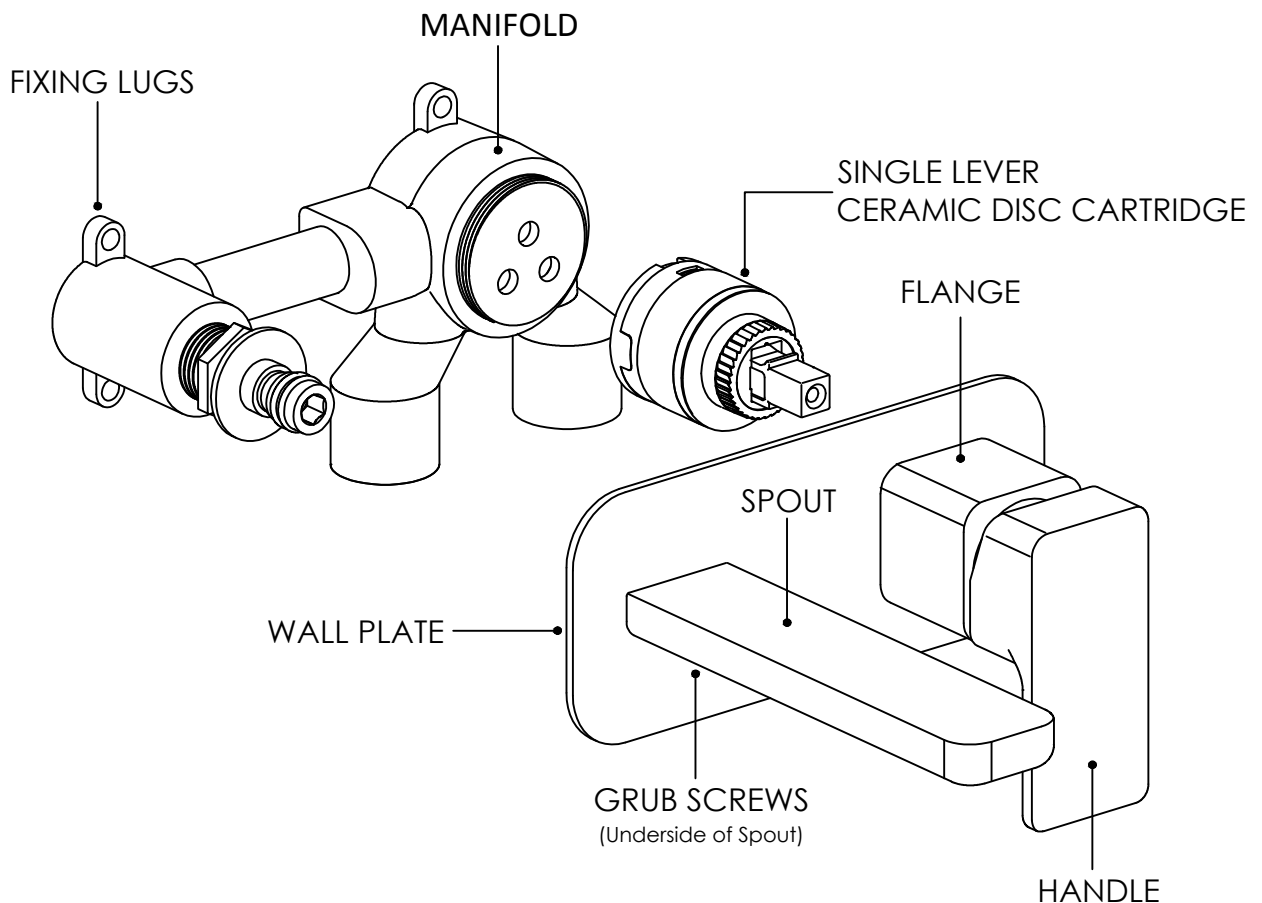
Earth any new pipework satisfactorily (Seek expert advice if in doubt).

The company reserves the right to continually evolve its product lines without notification.

The company will not accept any liability regarding specification changes and their consequences unless previously quoted by the company in writing.

Installation Procedure

1. Prior to installation please ensure all the supply pipes have been flushed through to remove any debris and then ensure the water supply is turned off.
2. We strongly recommend the fitting of service isolation valves to the inlet feeds for ease of future maintenance.
3. Ensure you have all the relevant tools before commencing the installation and take note of any specific markings on the product to make sure they are installed correctly.
4. Create a wall opening suitable for the manifold body, making sure the opening is big enough to allow for ease of maintenance.
5. Securely connect the manifold to a suitable fixing point inside the wall cavity using the fixing lugs. NB please make use you use appropriate fixings for these connection points (Not supplied).
6. Connect the water supplies as indicated on the manifold body.
7. Check all water feed connections to ensure there are no leaks.
8. Assemble the flanges / wall plate and apply a small bead of silicone around these to create a water tight seal around the cover plate(s)
9. Connect the spout and secure in place using the underside grub screws for a secure connection.
10. Fit the operating handle(s)
11. Check the assembled fit of the products to ensure there is no water ingress that may cause water damage after installation.



Check out our full range of Bathroom Taps

Contemporary Bathroom Taps

Traditional Bathroom Taps

Waterfall Bathroom Taps

Basin Taps

Bath Taps

Bidet Taps

Luxury Mira Aspects Taps

Mira Honesty

Mira Evolve

Mira Precision

Mira Comfort

Mira Revive

Mira Fluency

Don't forget these amazing tap cleaning and care products

Cramer Tap Cleaner

Cramer Chrom Star Chrome Polish

plumbworld
Big brands, small prices.