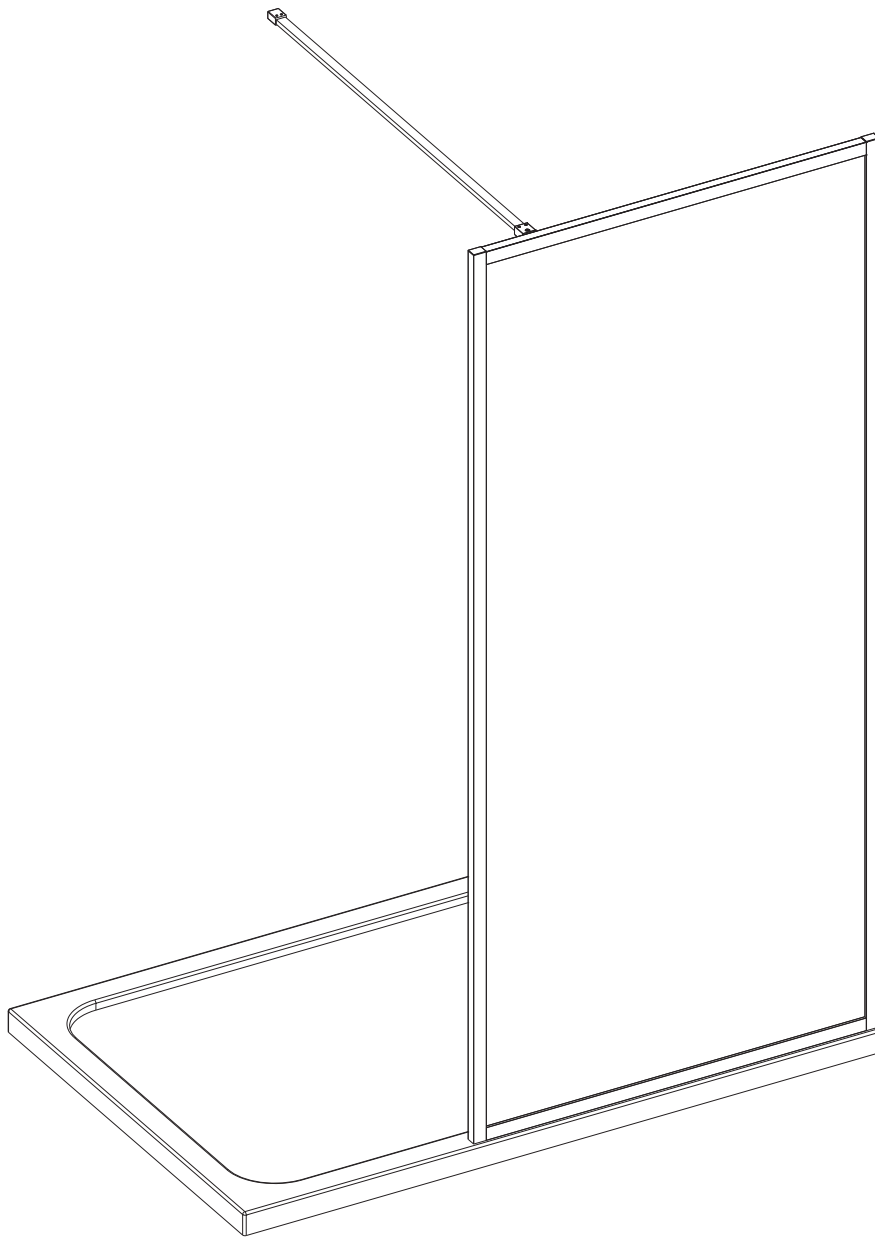


MODE

BATHROOMS

Matt Black Framed 6mm Wet Room Panel

Refer To Sheet 10 For Relevant Product Codes



BEFORE YOU START, HERE IS SOME IMPORTANT INFORMATION

1) General Information

Please inspect this product upon delivery, any missing parts or manufacturing defects must be reported immediately to the supplier. Damage or defects reported later will not be accepted. **TAKE CARE WHEN HANDLING GLASS PARTS - AVOID HEAVY CONTACT BETWEEN THE GLASS EDGES AND ANY HARD SURFACE.** Glass breakage claims will not be accepted after the product has been unpacked.

Please note: Aluminium is a soft metal, and undergoes a series of extrusion, fabrication, polishing and anodising processes in order to create your finished shower screen. Some light surface marks are normal, and is a result of the manufacturing processes. Quality control has ensured that this item is of a good standard, and is fit for purpose.

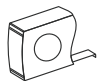

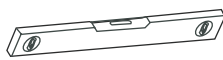
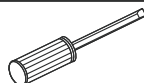

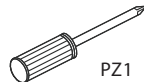
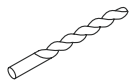
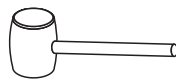

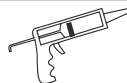
2) Additional Notes

Please read these instructions carefully before starting installation.

Special care should be taken when drilling walls to avoid hidden pipes or electrical cables.

Note: this product is heavy and may require two people to install.

TOOLS REQUIRED

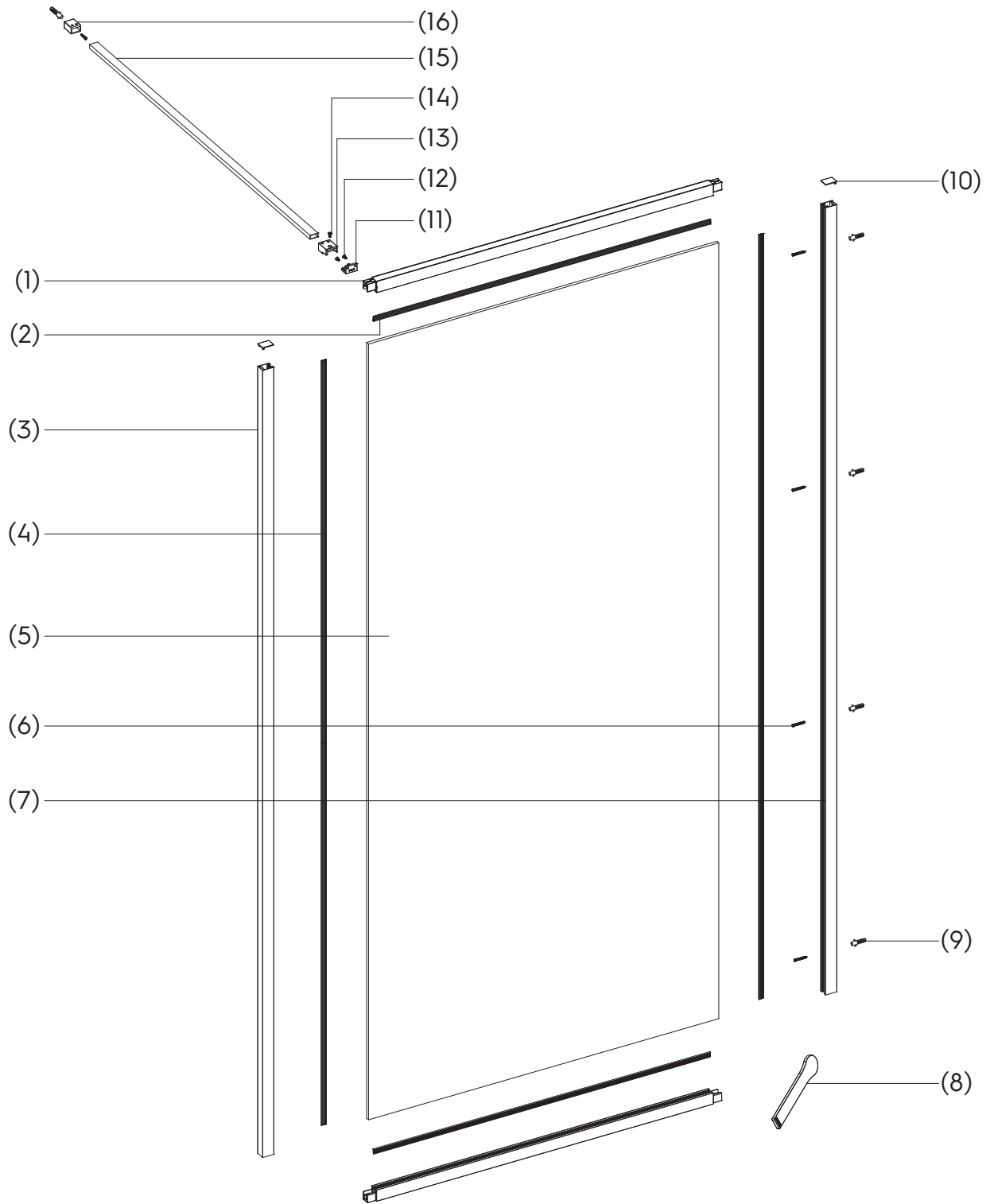
DESCRIPTION	PART IMAGE	DESCRIPTION	PART IMAGE
Tape measure		Drill	
Spirit level		Flat-head Screwdriver	
Pencil		Cross head Screwdriver	 PZ1
Ø6mm Drill bit		Mallet	
Ø3mm Drill bit		Silicone Sealant	



This product is heavy and may require two people to install.

ASSEMBLY INSTRUCTIONS - DRAWING

NB: ALL MEASUREMENTS + COMPONENT SIZES QUOTED ARE IN MM.





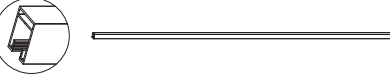
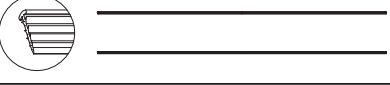











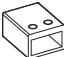
PACK I.D

- B (1) 2x Top And Bottom Profiles
- E (2) 2x Wedge Gasket Seals A
- B (3) 1x Vertical Profile
- E (4) 2x Wedge Gasket Seals B
- A (5) 1x Glass Panel
- E (6) 5x Screws 4*30
- B (7) 1x Wall Profile
- E (8) 1x Gasket Hand Tool

PACK I.D

- E (9) 5x Wall Plugs
- E (10) 2x Cover Caps
- D (11) 1x Support Bracket A
- E (12) 2x Screws 3.5*16
- D (13) 1x Support Bracket B
- D (14) 1x Screw 4*12
- D (15) 1x Top Bar
- D (16) 1x Wall Bracket

BOX CONTENTS

PACK I.D	Component	Picture
B	(1) 2x Top And Bottom Profiles	
E	(2) 2x Wedge Gasket Seals A	
B	(3) 1x Vertical Profile	
E	(4) 2x Wedge Gasket Seals B	
A	(5) 1x Glass Panel	
E	(6) 5x Screws 4*30	
B	(7) 1x Wall Profile B	
E	(8) 1x Gasket Hand Tool	
E	(9) 5x Wall Plugs	
E	(10) 2x Cover Caps	
D	(11) 1x Support Bracket A	
E	(12) 2x Screws 3.5*16	
D	(13) 1x Support Bracket B	
D	(14) 1x Screw 4*12	
D	(15) 1x Top Bar	
D	(16) 1x Wall Bracket	

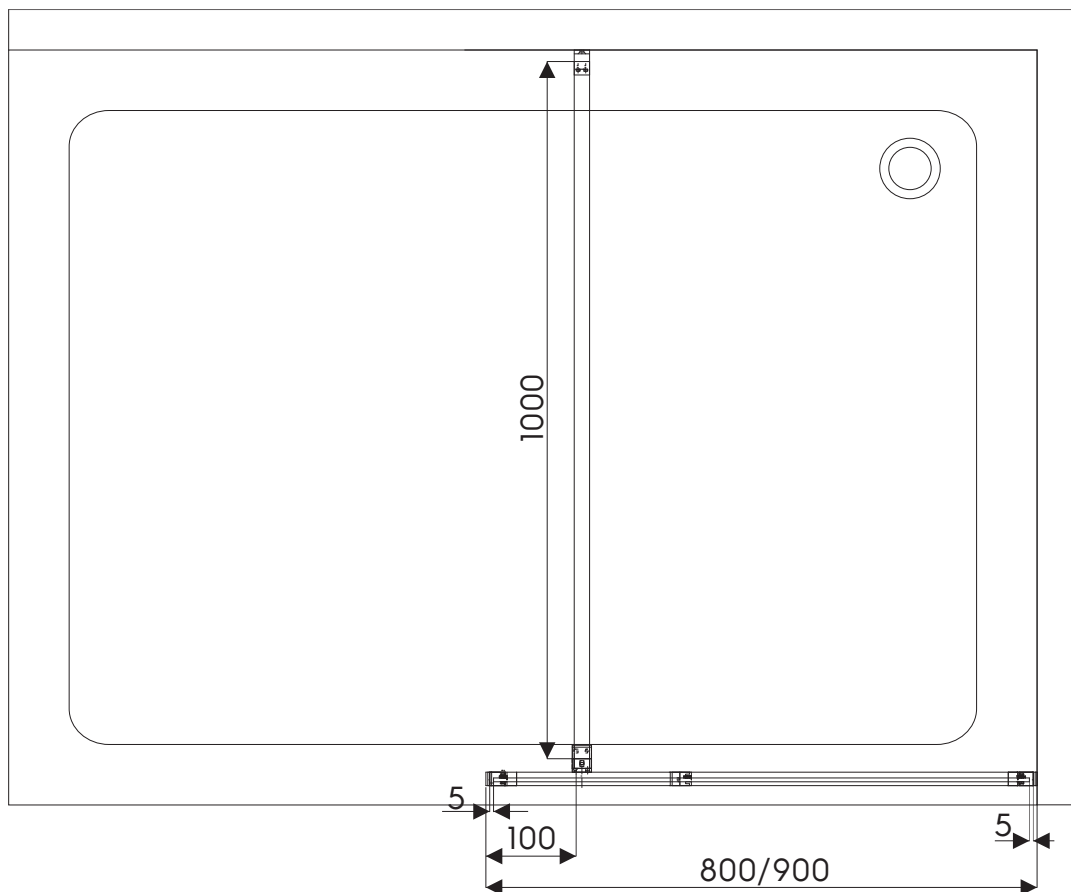
ASSEMBLY INSTRUCTIONS

If you require help, we advise you to contact a competent plumber.

Installation Steps

THESE DIMENSIONS ASSUME THE WALLS ARE PLUMB AND THE SHOWER TRAY IS LEVEL, AND THAT THE WALLS ARE TILED DOWN TO THE TOP OF THE TRAY USING A 10mm TILE/WET WALL PANEL.

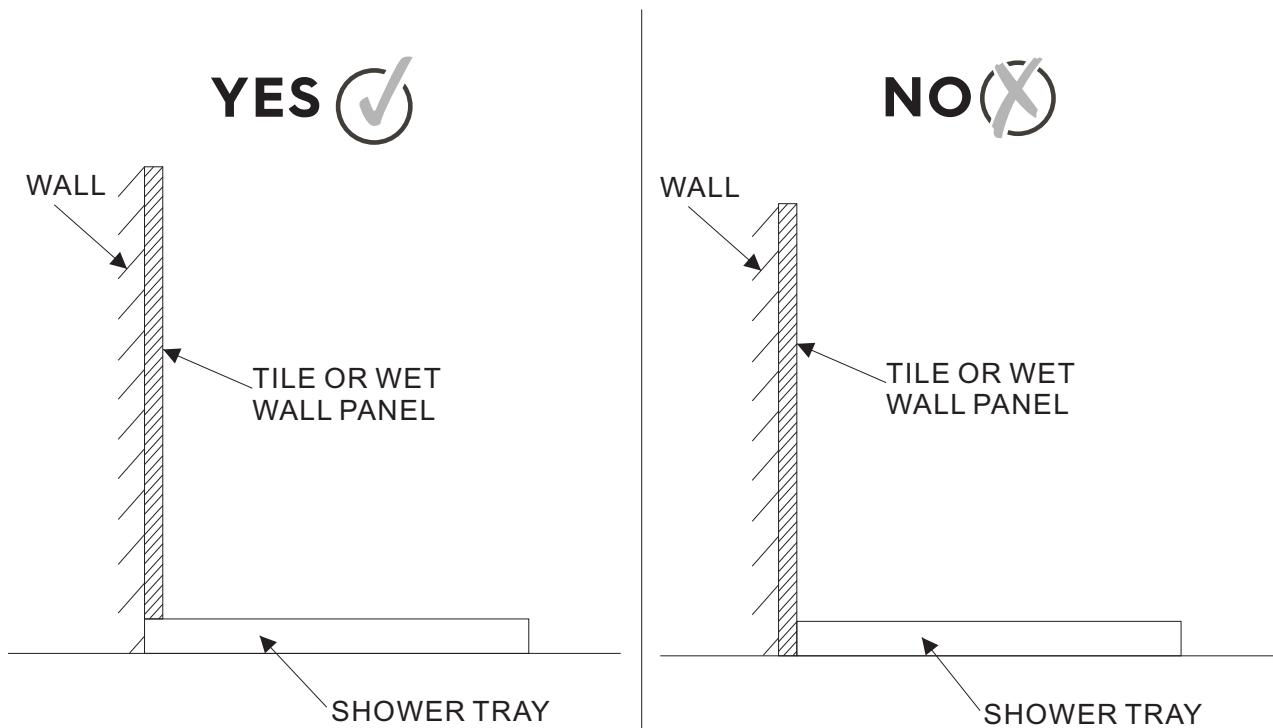
FITTED WET PANEL DRAWING



STEP 1 CHECK BOX CONTENTS ARE CORRECT AND THEN MEASURE KEY COMPONENTS.
 Measurement Matrix (before assembly) Dimension in mm

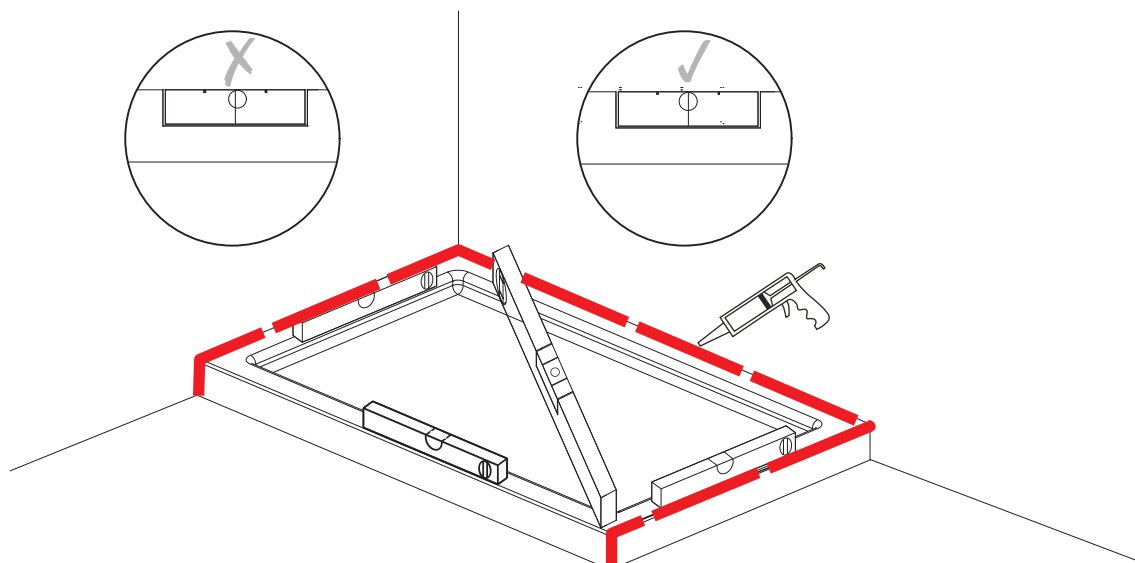
Units supplied loose for self assembly	BWRG80	BWRG90
Top/Bottom horizontal profiles	734x21	834x21
Glass Panel	1922x768x6	1922x868x6
Vertical Profile	1950x21	1950x21
Wall profile	1950x21	1950x21

STEP 2 DRAWING TO SHOW CORRECT SHOWER TRAY INSTALLATION.

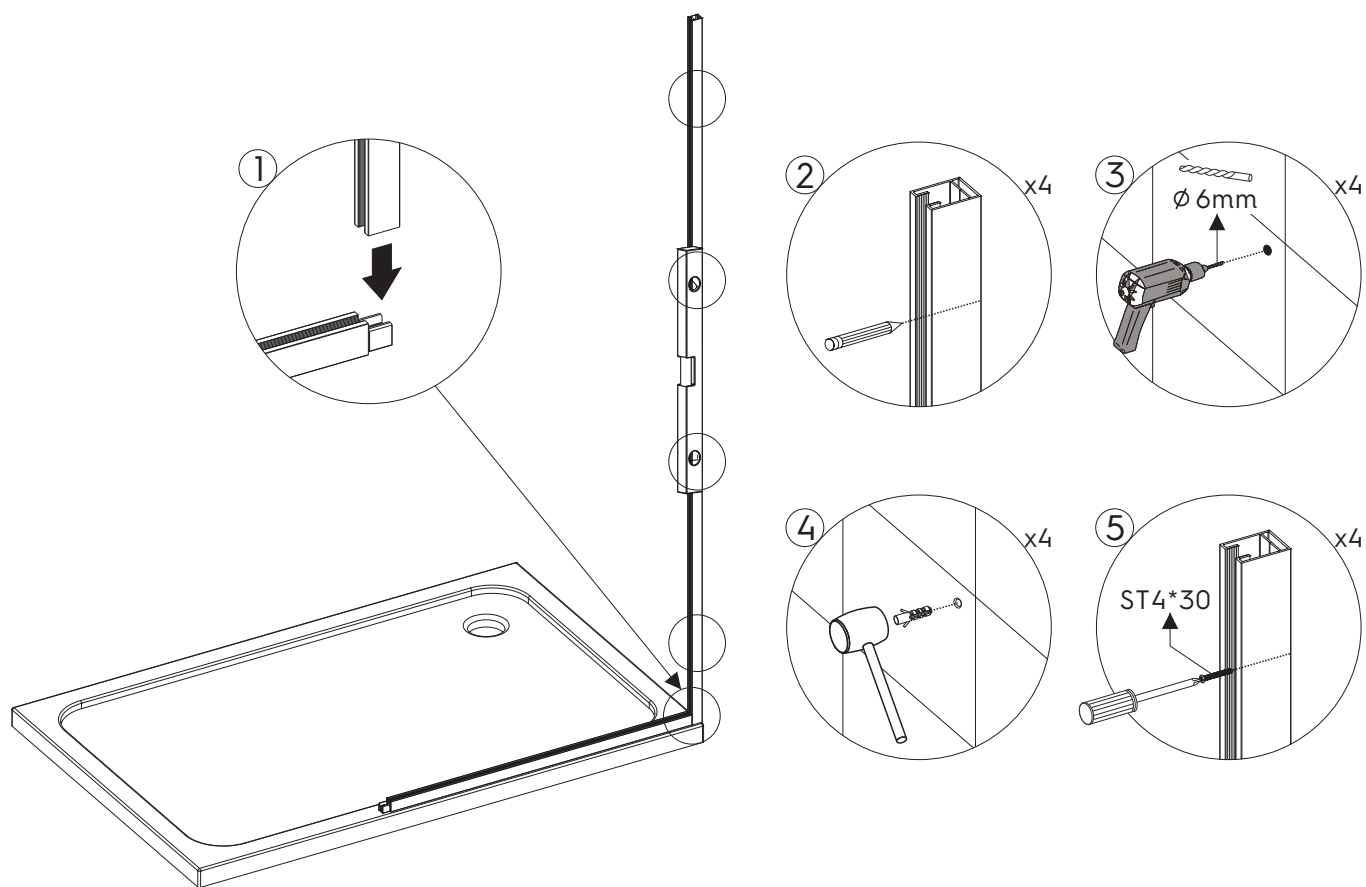


STEP 3 TRAY TO BE LEVEL

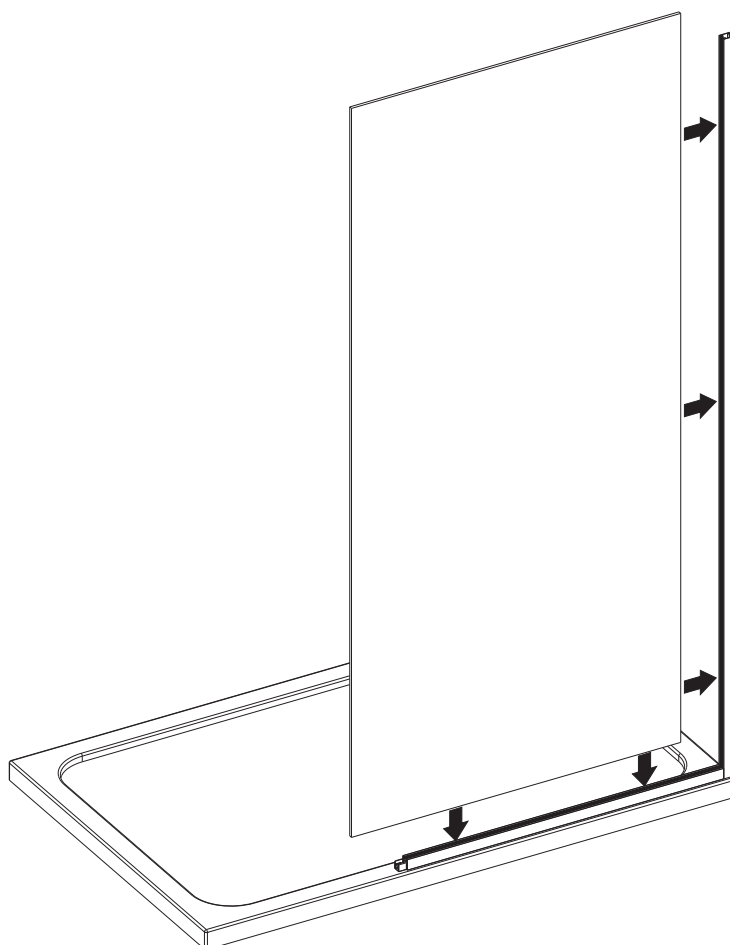
MAKE SURE THE TRAY IS LEVEL, USING A SPIRIT LEVEL, BEFORE INSTALLING THIS SHOWER PANEL / DOOR, AND THAT SILICONE IS APPLIED ON ALL SIDES WHERE THE TRAY MEETS THE TILES / WET WALL PANELS.



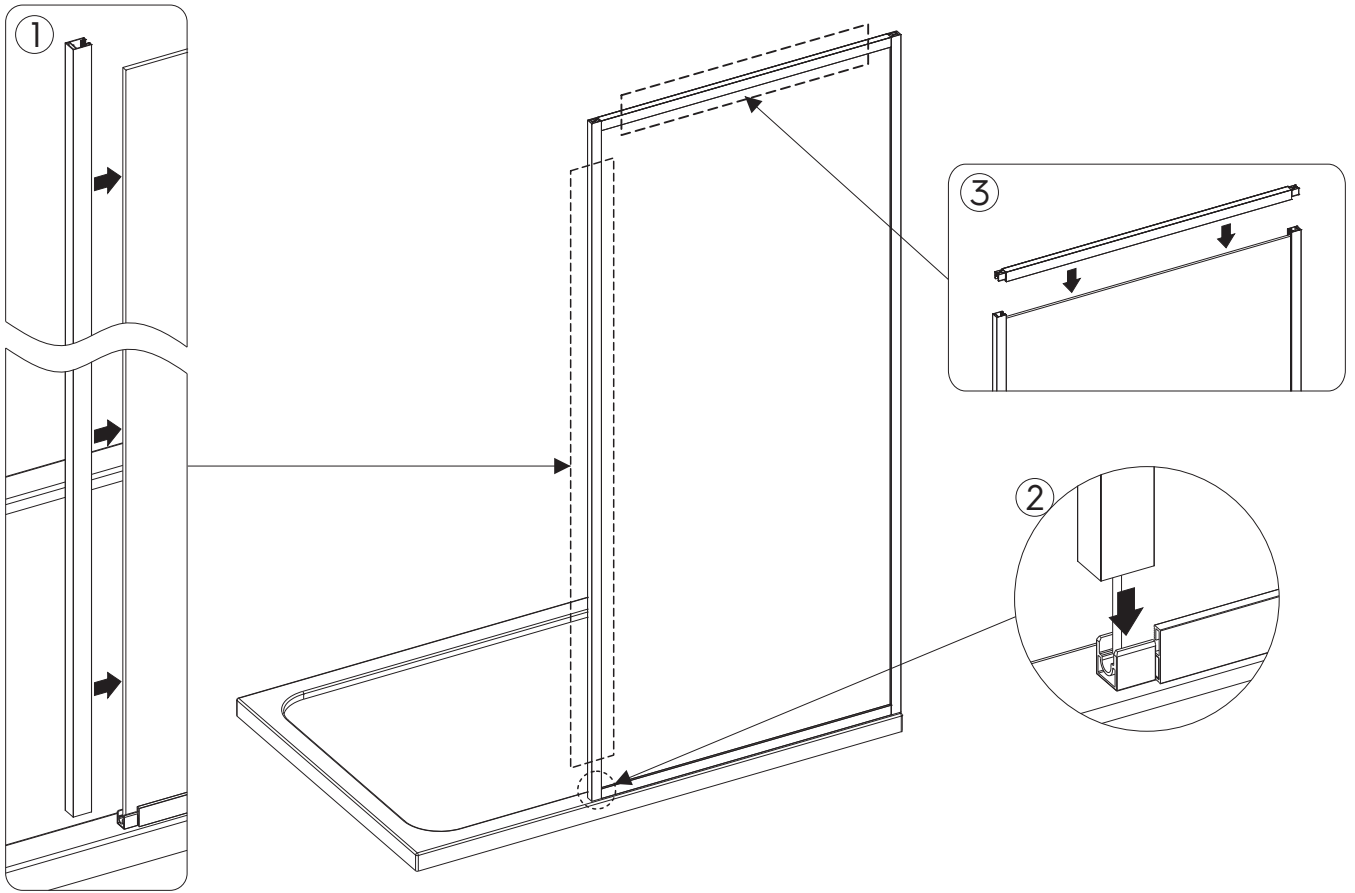
STEP 4 CONNECT BOTTOM PROFILE TO THE WALL PROFILE, DRILL WALL PROFILE TO THE WALL.



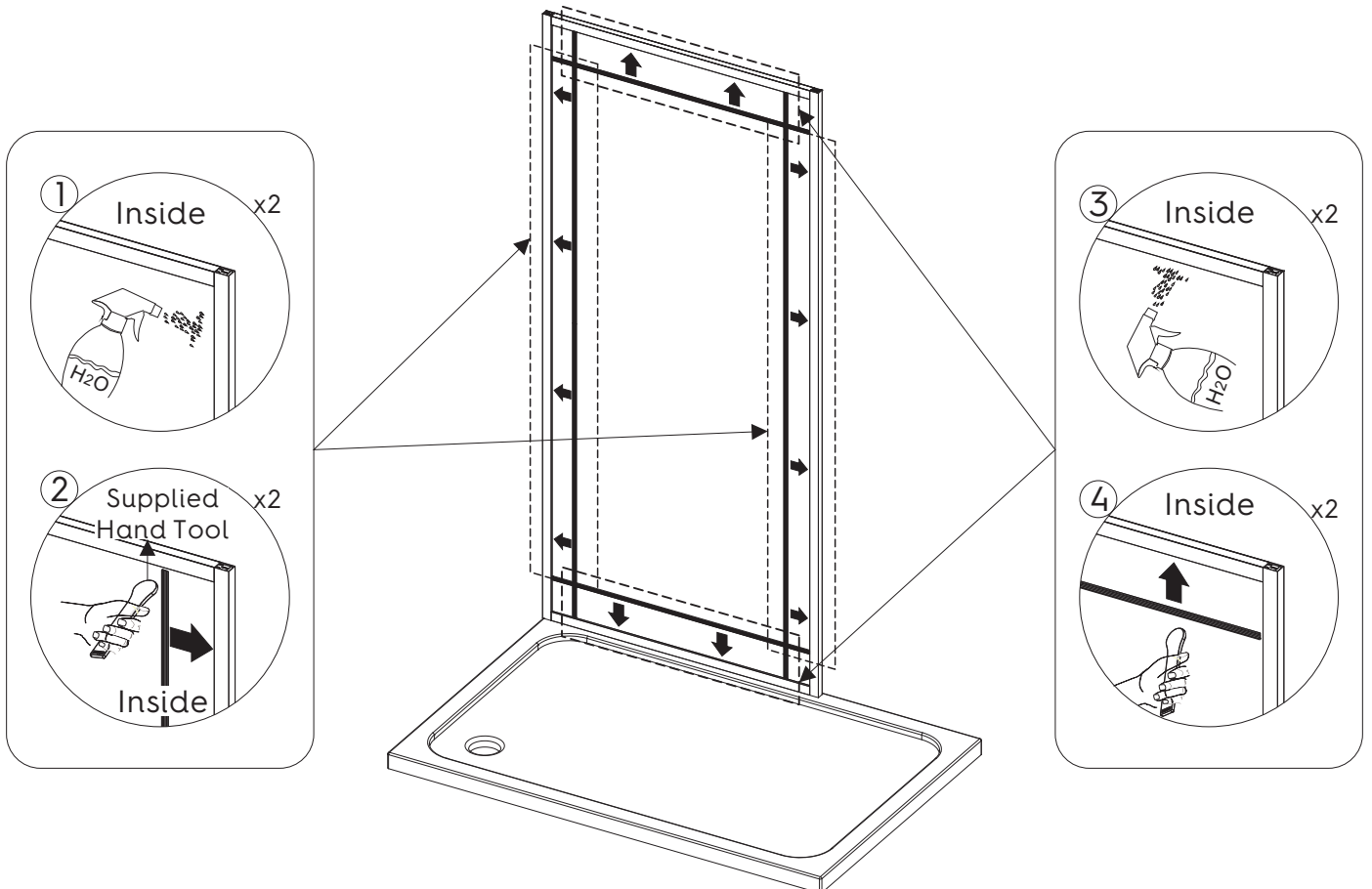
STEP 5 FIT THE GLASS PANEL.



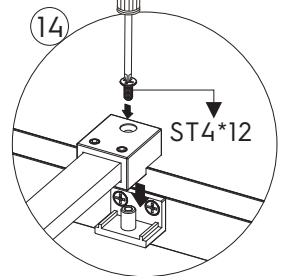
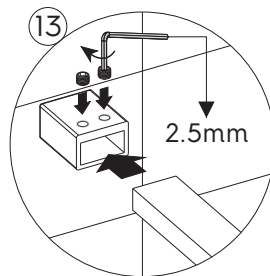
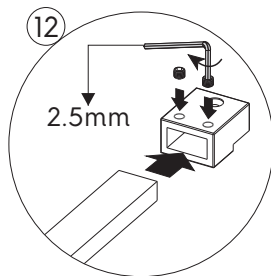
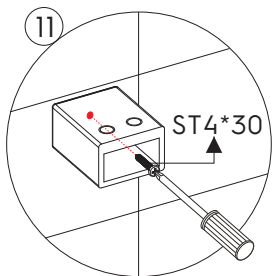
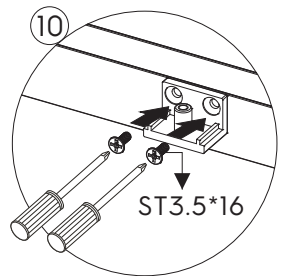
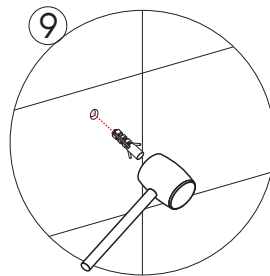
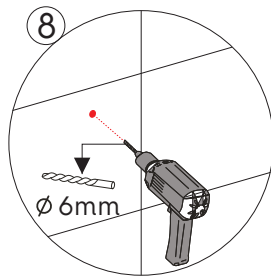
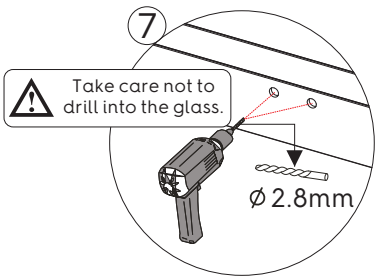
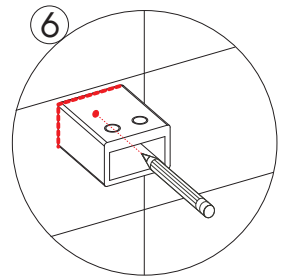
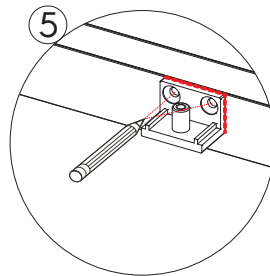
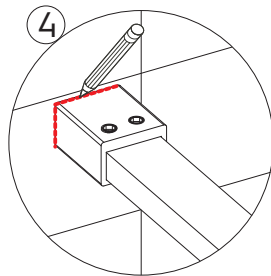
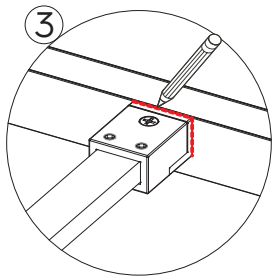
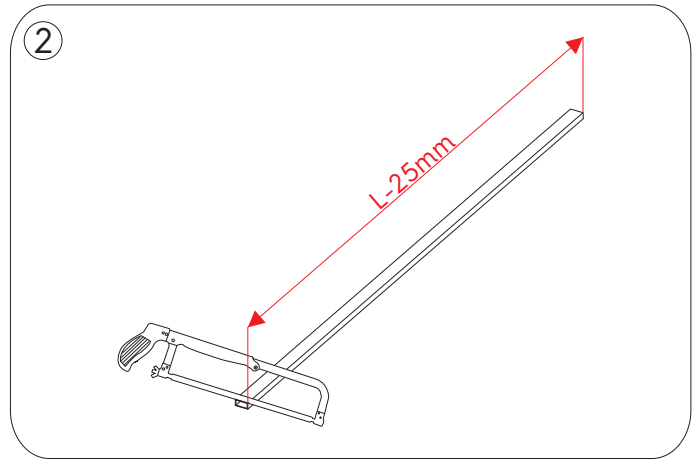
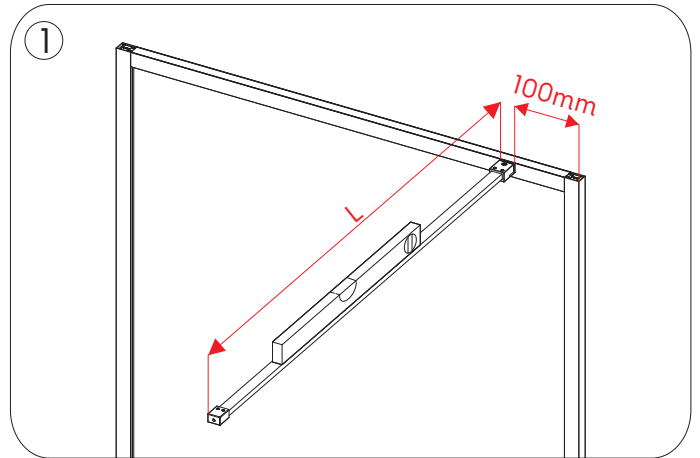
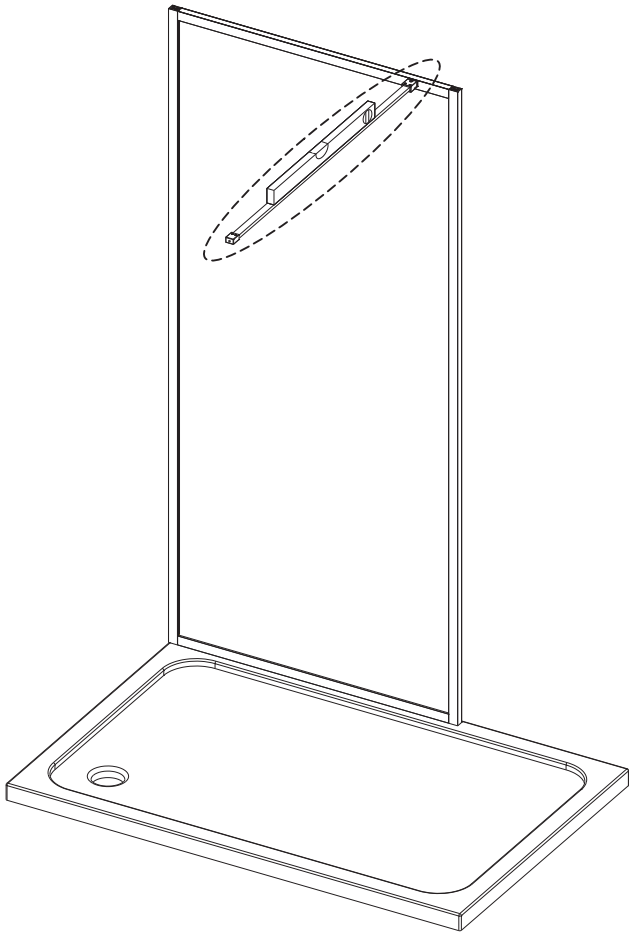
STEP 6 FIT THE VERTICAL PROFILE AND TOP PROFILE.



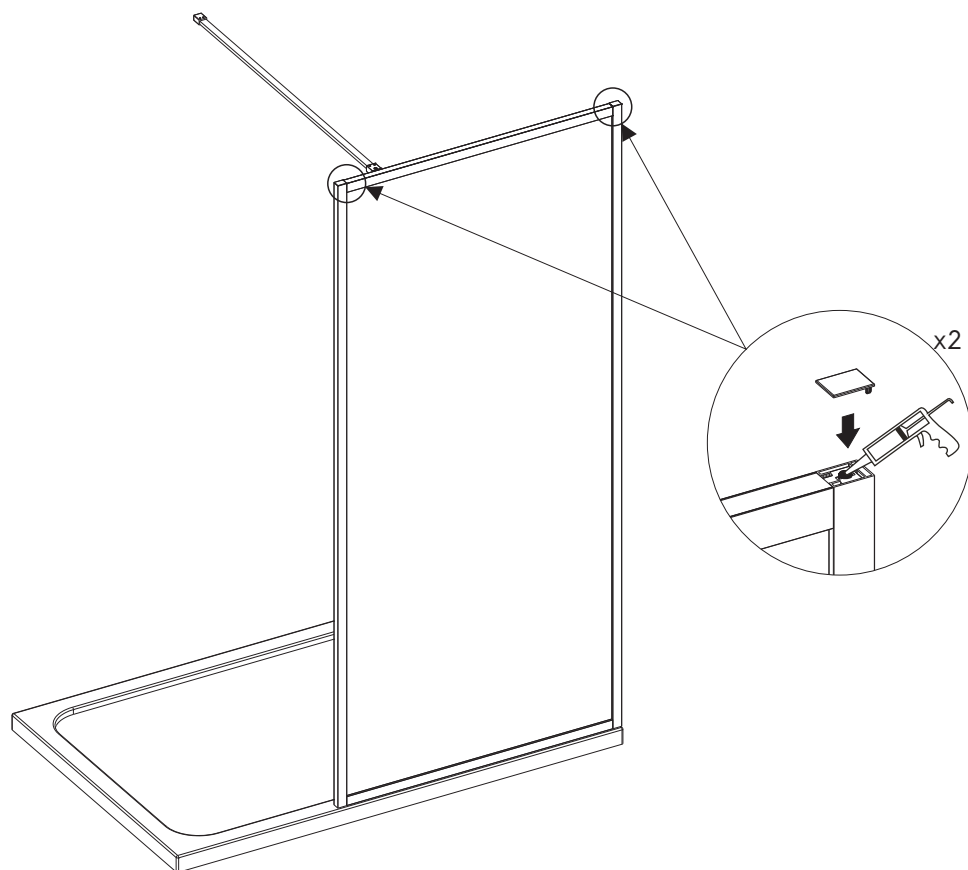
STEP 7 FIT THE WEDGE GASKET SEALS.



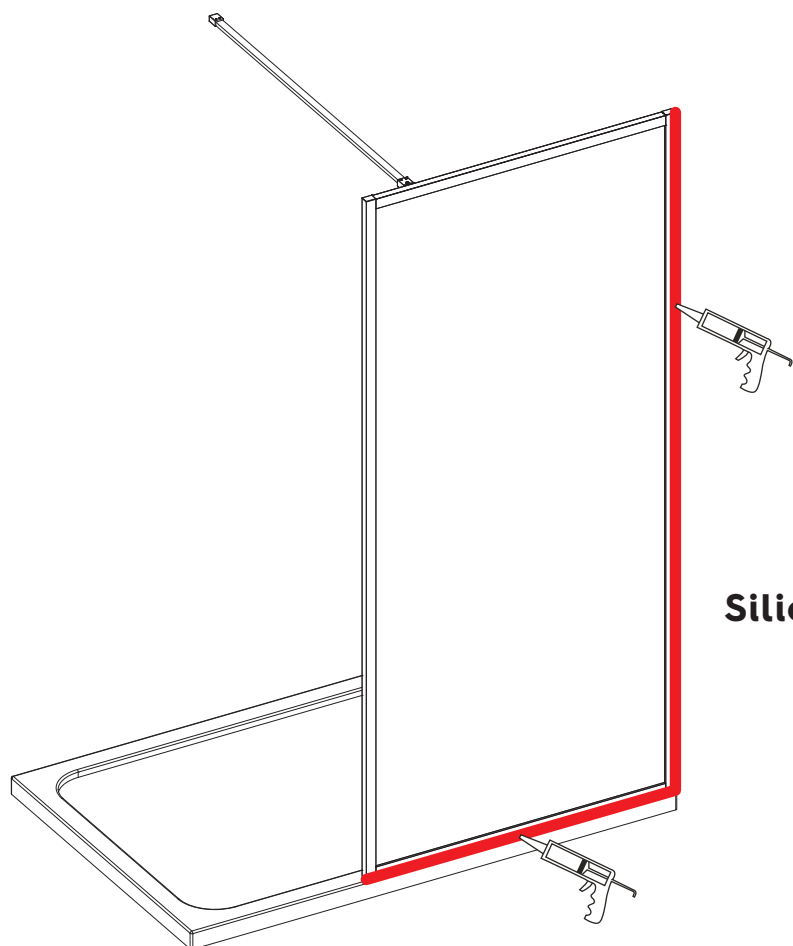
STEP 8 FIT THE TOP SUPPORT BAR.



STEP 9 FITTING THE WALL PROFILE COVER CAPS.



STEP 10 SILICONE THE OUTSIDE EDGES.



**Allow 24 hours for
silicone to dry before use.
Silicone on the outside edge only**

CARE AND MAINTENANCE

1) AFTER CARE INSTRUCTIONS

Regularly clean your shower product with warm soapy water to prevent lime scale build up. Do not use abrasive cleaning fluids or materials, or strong chemical cleaners as this will damage the product surface.

2) MAINTENANCE

Clean the plastic parts with a cloth and mild detergent. Never use any abrasive creams, dissolvents, acetone or detergents and disinfectants that contain chlorine. The supplier accepts no liability for any type of use of care other than those contained in these instructions. The supplier reserves the right to introduce technical changes without notice.

COMMITMENT TO QUALITY

It is our intention that the quality and functions of this product are of the highest standard. If you require help we advise you firstly contact a competent plumber. However we understand that this may not always be the case, so should you experience any problems please contact our customer services quoting the following:

Product name: Matt Black Framed 6mm Wet Room Panel

Product code: BWRG80 BWRG90

Customer help line number:0344 804 48 48



Victoria Plum Limited, Bridgehead Business Park
Hesle, HU13 0DG

19

EN 14428 : 2015+A1:2018

DOP No.:J191022001-2

Shower enclosures with aluminium
profiles and safety glass

Essential characteristics	Performance	Harmonised technical specification
Cleanability	Pass	Clause 4.2 of EN 14428:2015+A1:2018
Impact resistance/shatter properties	Pass	Clause 4.3 of EN 14428:2015+A1:2018
Durability	Pass	Clause 4.4 of EN 14428:2015+A1:2018

The packaging you have received with your product is 100% recyclable.
It must be disposed of in a safe and environmentally friendly way.
We suggest you take it to the local landfill site and discard in the designated bins.