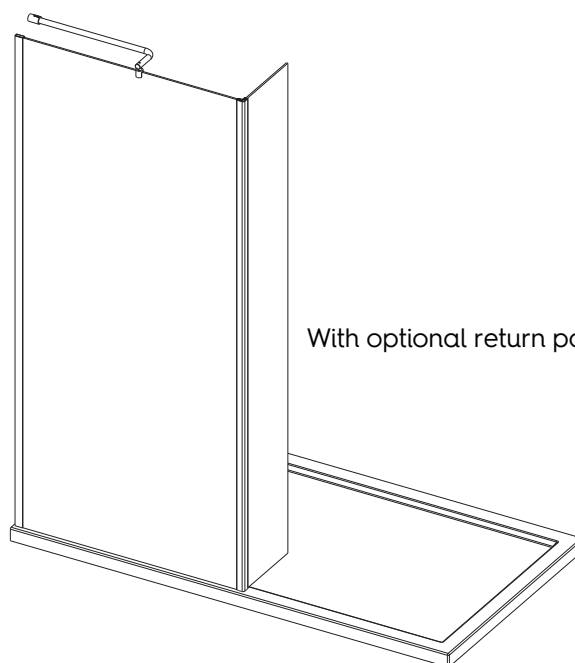
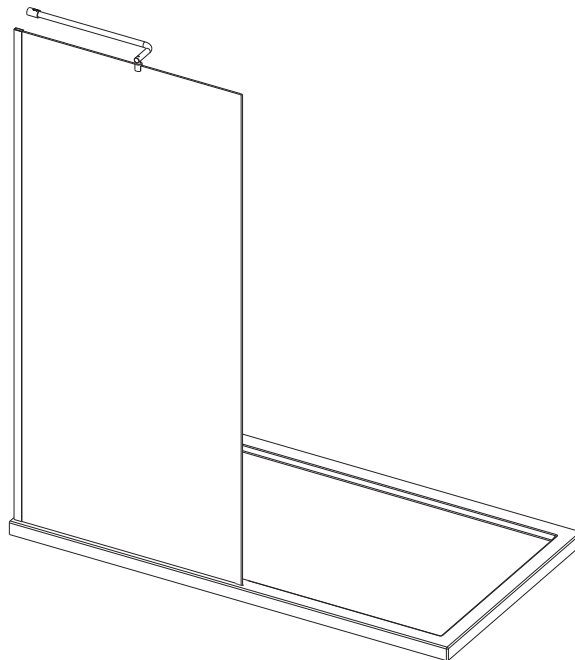


6mm WET ROOM GLASS PANEL

Refer To Sheet 9 For Relevant Product Codes



With optional return panel

This product is universal, not handed

BEFORE YOU START, HERE IS SOME IMPORTANT INFORMATION

1) General Information

Please inspect this product upon delivery, any missing parts or manufacturing defects must be reported immediately to the supplier. Damage or defects reported later will not be accepted. **TAKE CARE WHEN HANDLING GLASS PARTS - AVOID HEAVY CONTACT BETWEEN THE GLASS EDGES AND ANY HARD SURFACE.**

Glass breakage claims will not be accepted after the product has been unpacked.

Please note: Aluminium is a soft metal, and undergoes a series of extrusion, fabrication, polishing and anodising processes in order to create your finished shower enclosure. Some light surface marks are normal, and is a result of the manufacturing processes. Quality control has ensured that this item is of a good standard, and is fit for purpose.

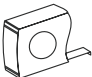


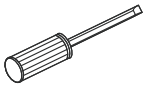

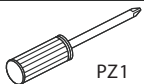

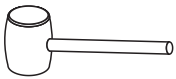
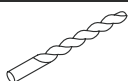

2) Additional Notes

Please read these instructions carefully before starting installation.

Special care should be taken when drilling walls to avoid hidden pipes or electrical cables.

Note: this product is heavy and may require two people to install.

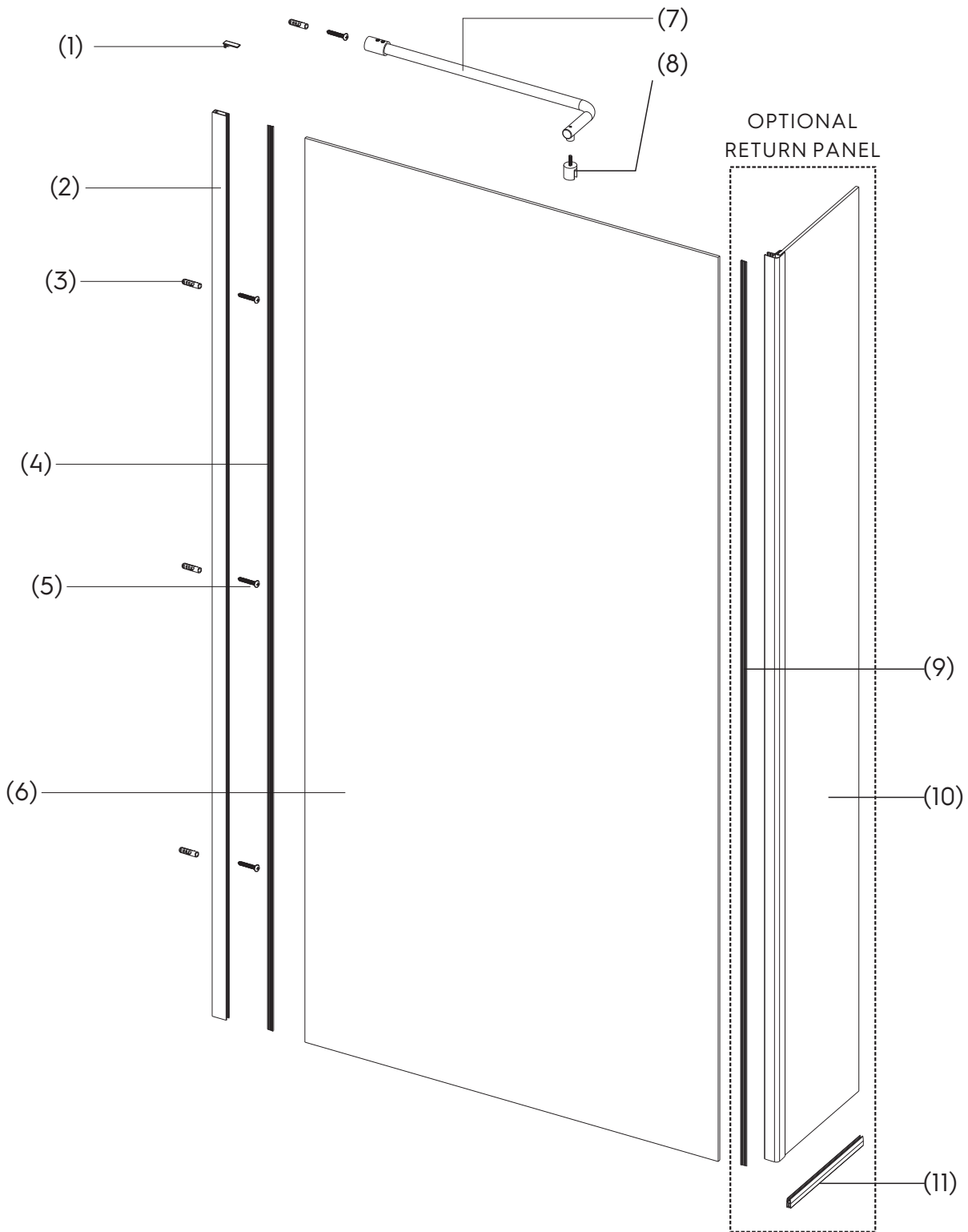
TOOLS REQUIRED

DESCRIPTION	PART IMAGE	DESCRIPTION	PART IMAGE
Tape measure		Drill	
Spirit level		Flat-head Screwdriver	
Pencil		Cross head Screwdriver	
Ø6mm Drill bit		Mallet	
Ø3mm Drill bit		Silicone Sealant	

 This product is heavy and may require two people to install.

ASSEMBLY INSTRUCTIONS - DRAWING

NB: ALL MEASUREMENTS + COMPONENT SIZES QUOTED ARE IN MM.



Pack I.D

- E (1) 1x Wall Profile Top Cap
- B (2) 1x Wall Profile
- E (3) 3x Wall Plugs
- E (4) 1x Wedge Gasket Seal A
- E (5) 3x Screws 4x30
- A (6) 1x Glass Panel A

Pack I.D

- D (7) 1x Support Bar+Wall Bracket
- E (8) 1x Glass clamp
- E (9) 1x Wedge Gasket Seal B
- A (10) 1x Glass Panel B
- C (11) 1x Bottom Seal

ASSEMBLY INSTRUCTIONS

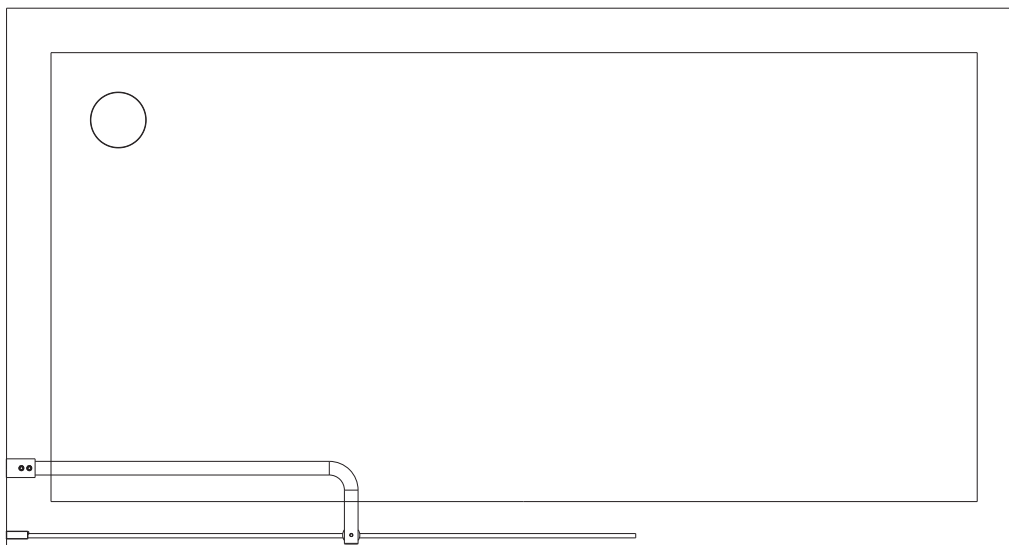
If you require help, we advise you to contact a competent plumber.

Installation Steps

THESE DIMENSIONS ASSUME THE WALLS ARE PLUMB AND THE SHOWER TRAY IS LEVEL, AND THAT THE WALLS ARE TILED DOWN TO THE TOP OF THE TRAY USING A 10mm TILE/WET WALL PANEL.

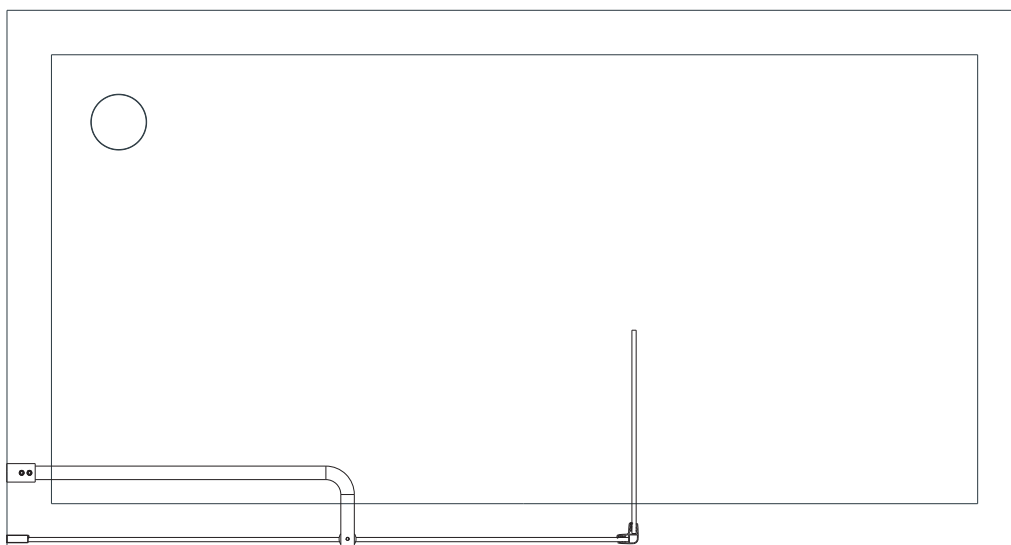
FITTED WET ROOM DRAWING

800/900mm



A

800-900mm C/W Optional 300mm Fixed Return Panel



B

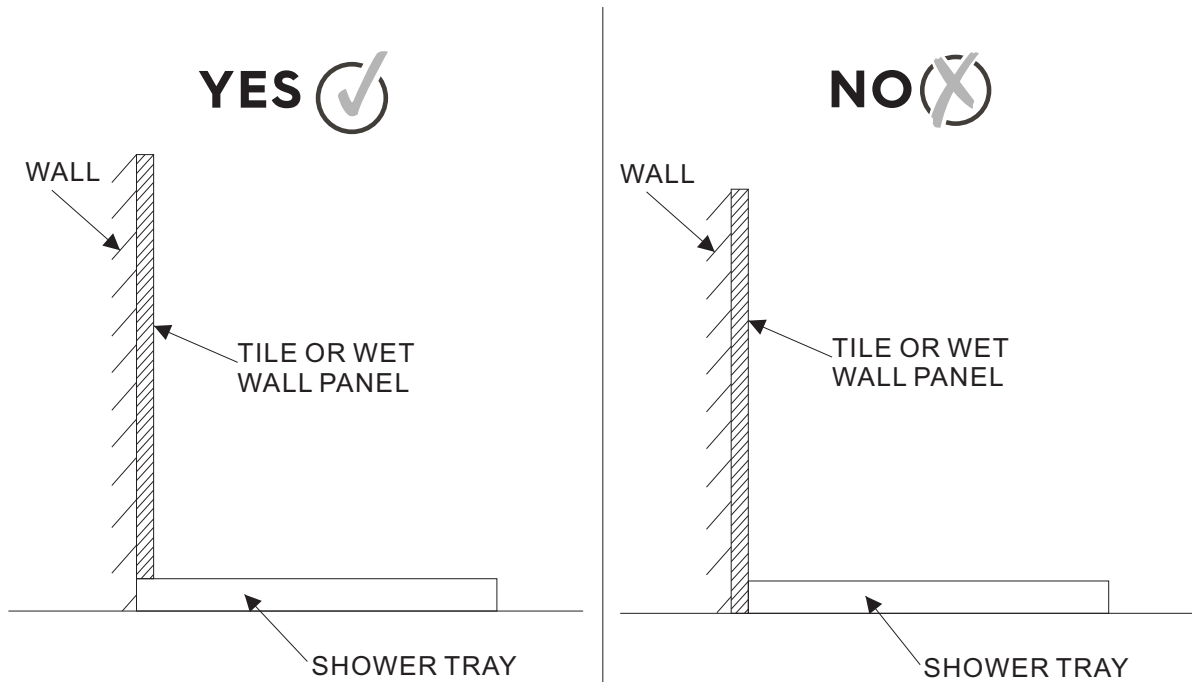
STEP 1 CHECK BOX CONTENTS ARE CORRECT AND THEN MEASURE KEY COMPONENTS

Measurement Matrix (before assembly)

Dimension in mm

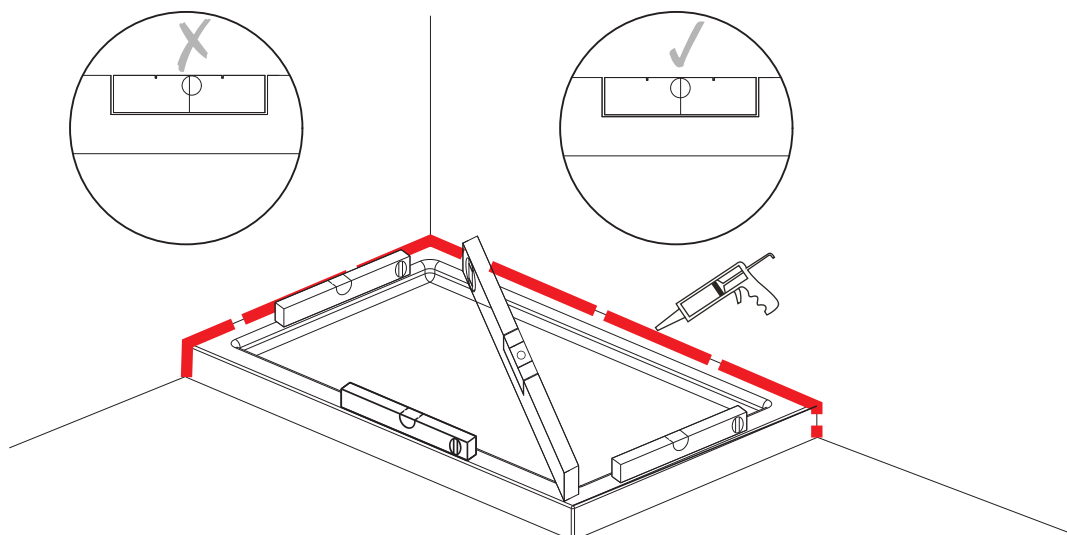
Units supplied loose for self assembly	SWG6M80	SWG6M90	SWG6M30
Flat fixed panel glass	769x1900x6	869x1900x6	286x1900x6
Wall posts	30x1900	30x1900	30x1900

STEP 2 DRAWING TO SHOW CORRECT SHOWER TRAY INSTALLATION

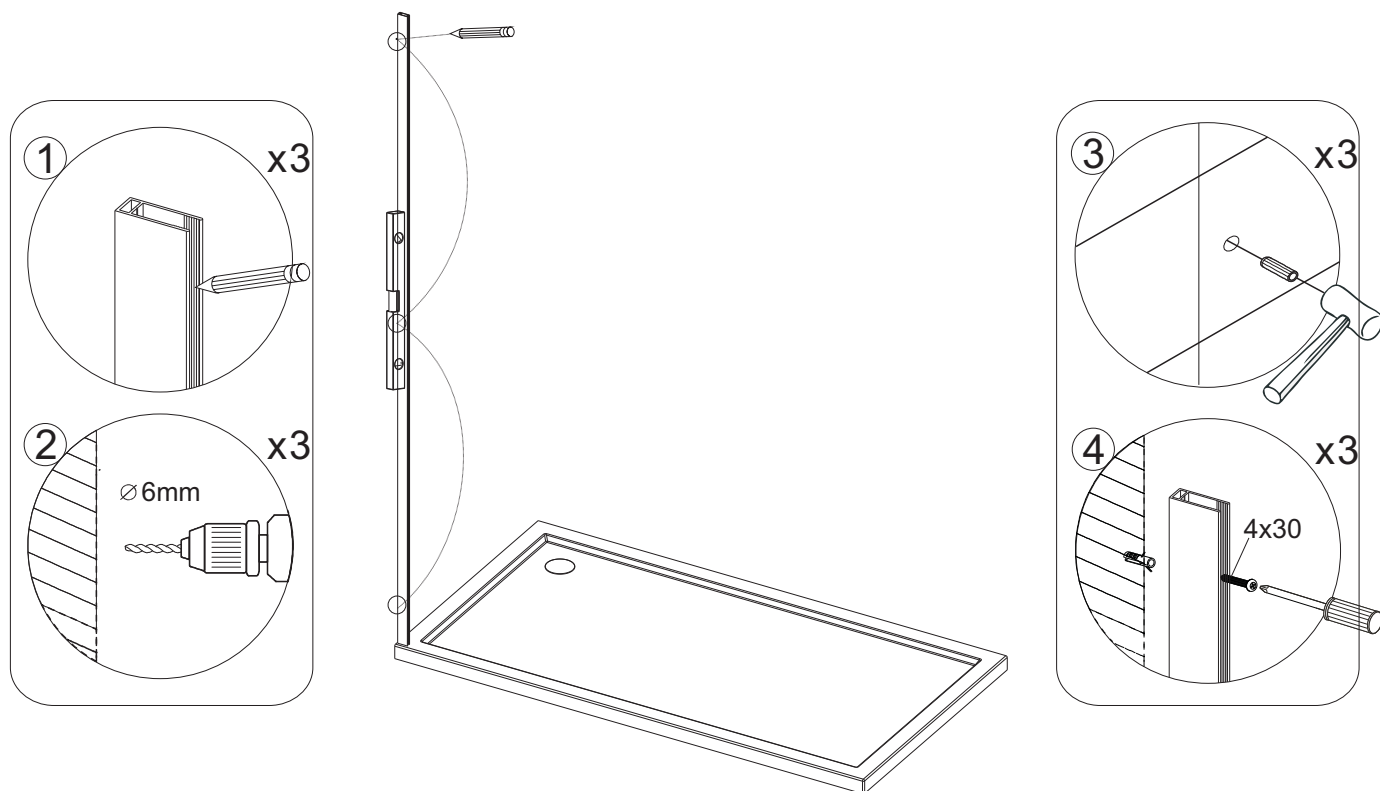


STEP 3 TRAY TO BE LEVEL

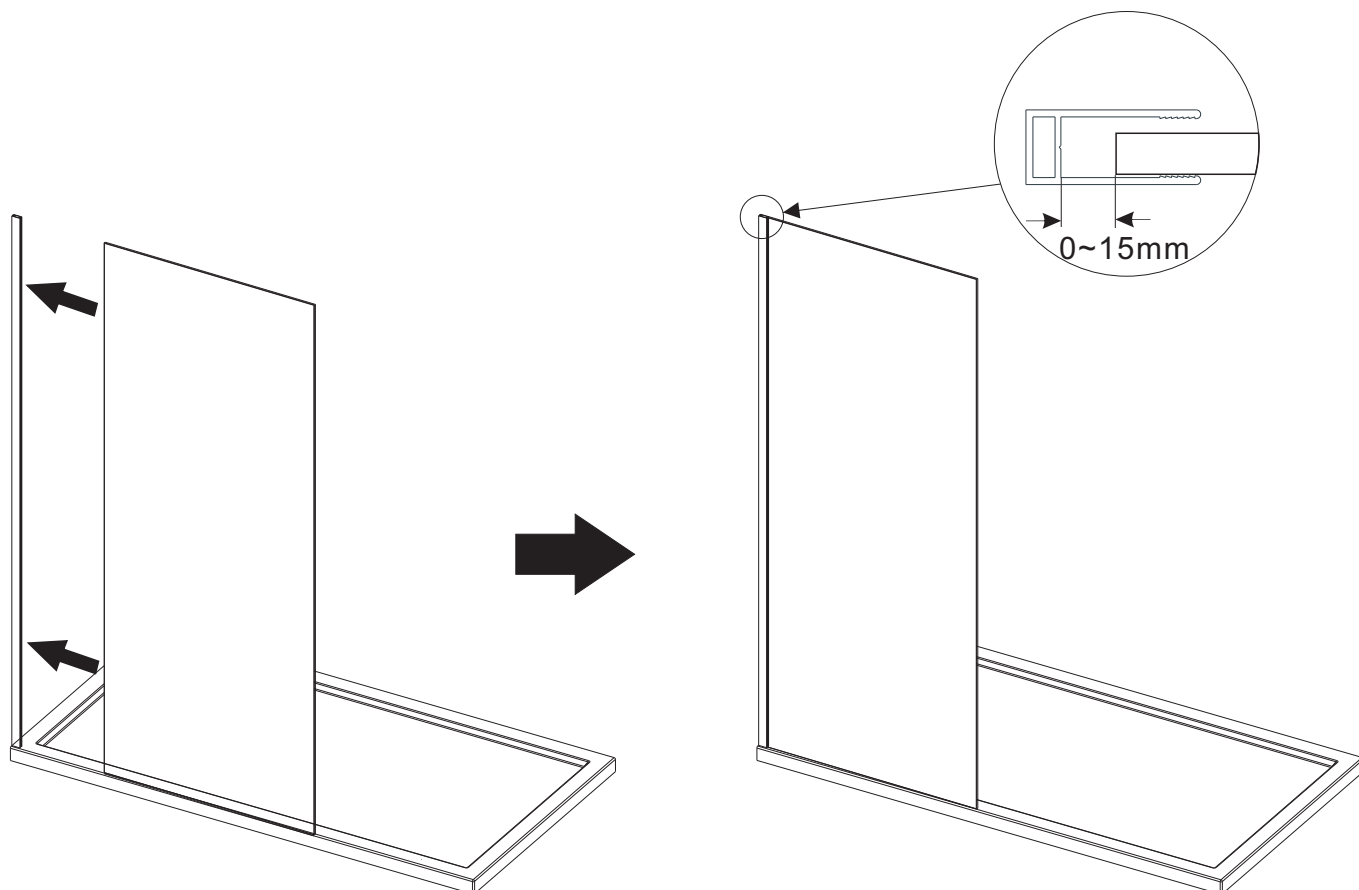
MAKE SURE THE TRAY IS LEVEL, USING A SPIRIT LEVEL, BEFORE INSTALLING THIS SHOWER PANEL / DOOR, AND THAT SILICONE IS APPLIED ON ALL SIDES WHERE THE TRAY MEETS THE TILES / WET WALL PANELS



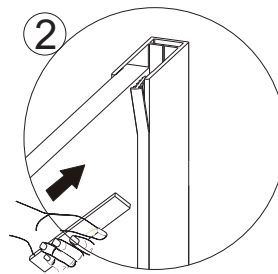
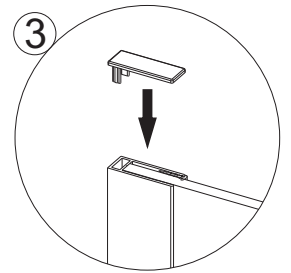
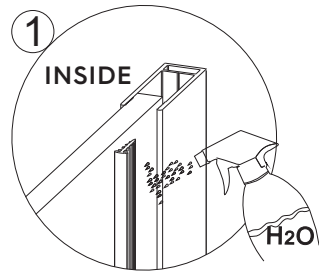
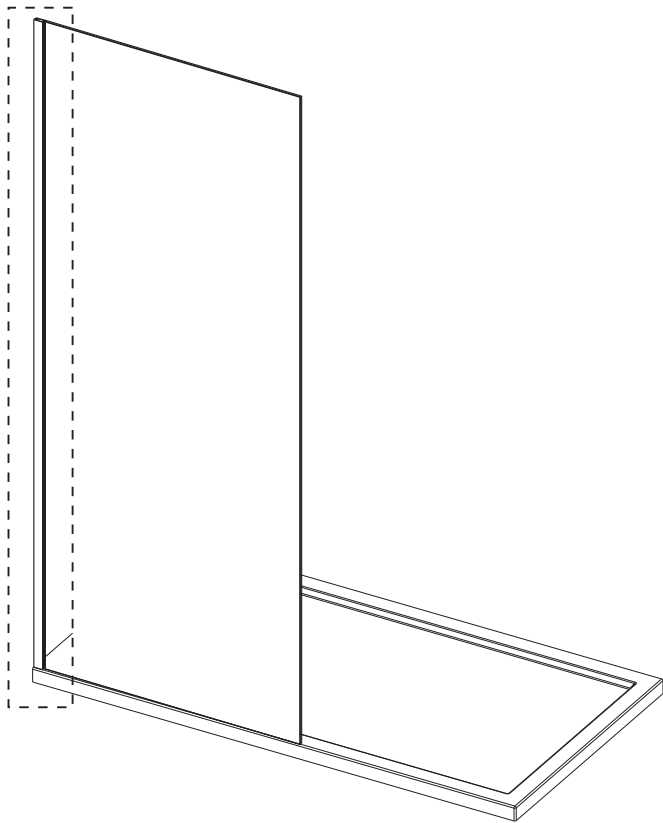
STEP 4 DRILLING WALL PROFILE TO THE WALL



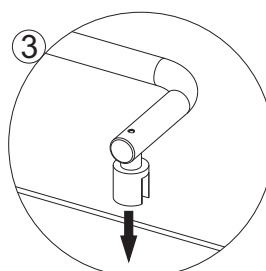
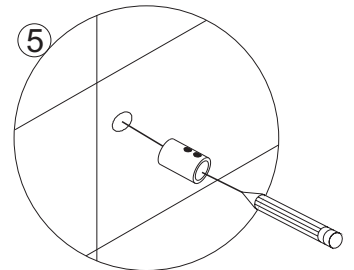
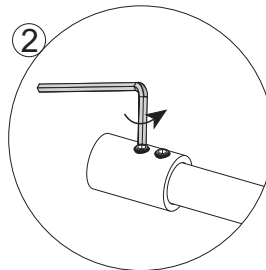
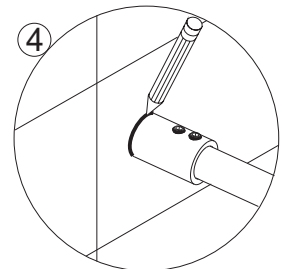
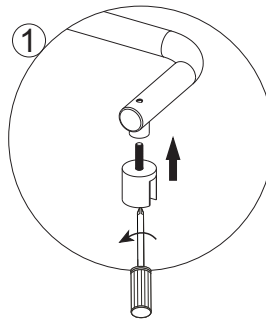
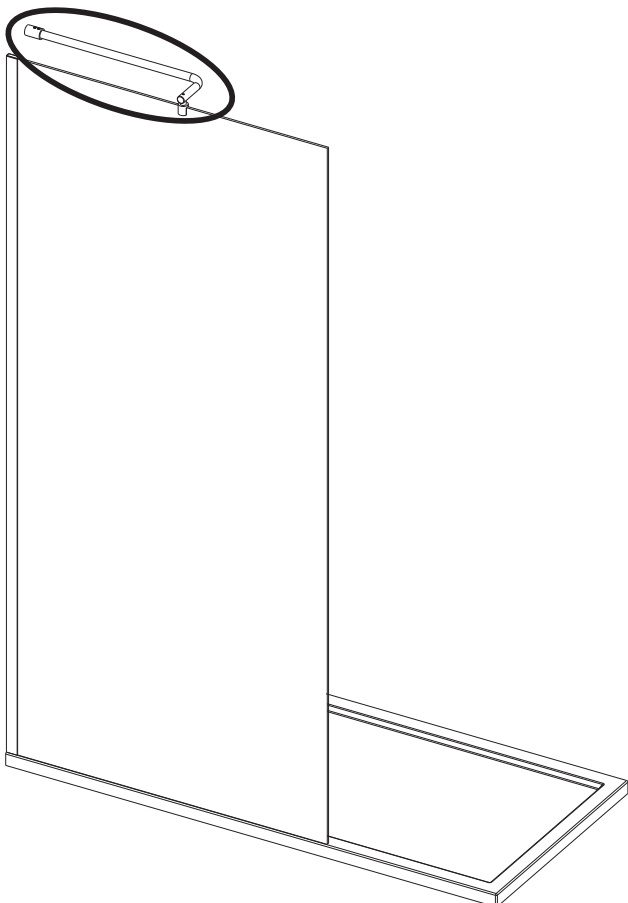
STEP 5 FITTING THE GLASS PANEL



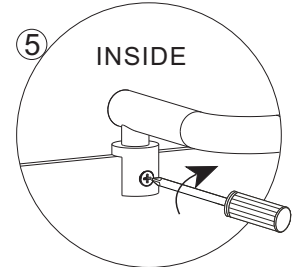
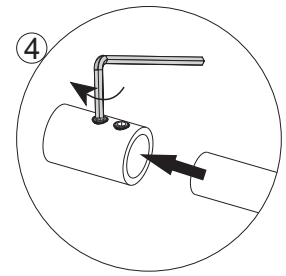
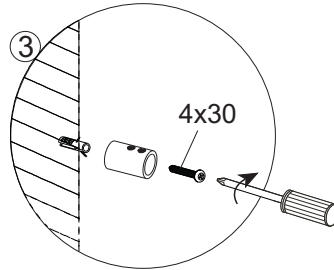
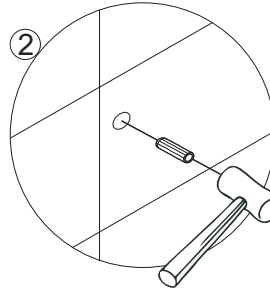
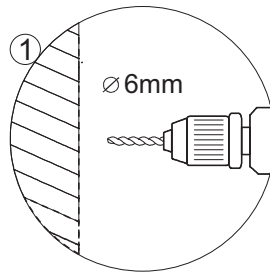
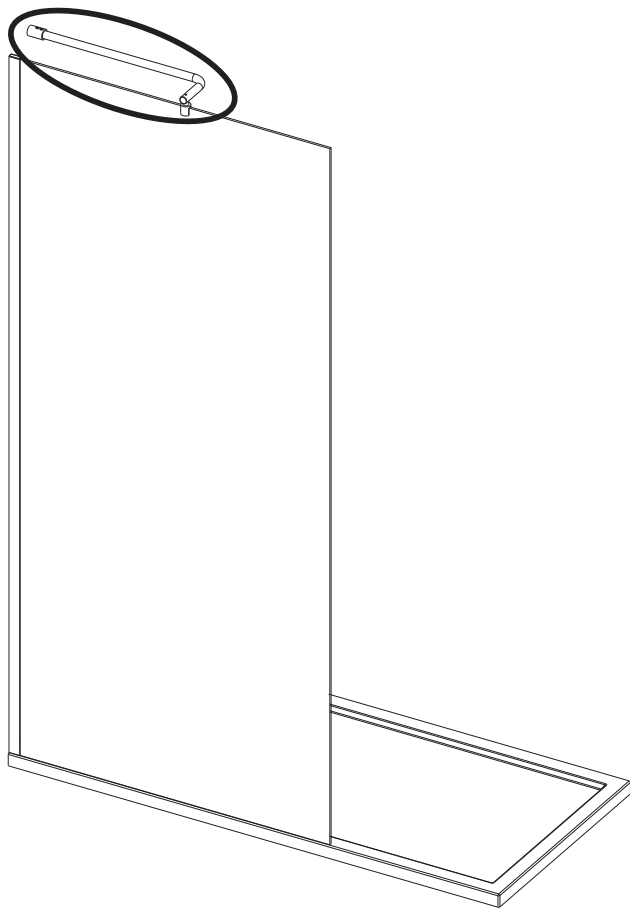
STEP 6 FITTING THE WEDGE GASKET SEAL AND TOP CAP



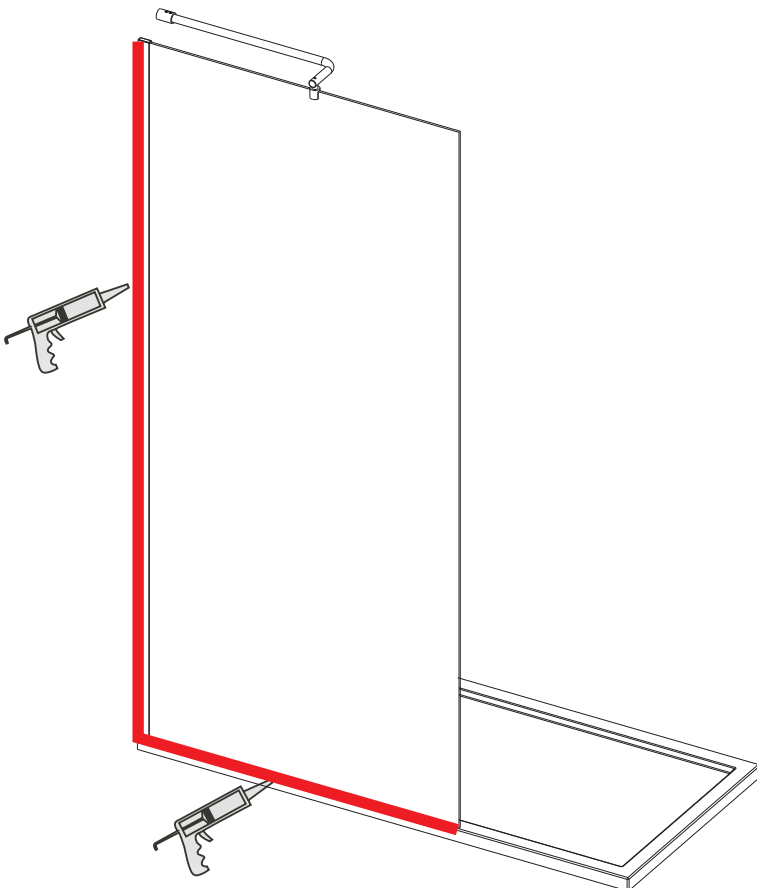
STEP 7 ASSEMBLING SUPPORT BAR AND MARK DRILLING POSITION



STEP 8 FITTING SUPPORT BAR



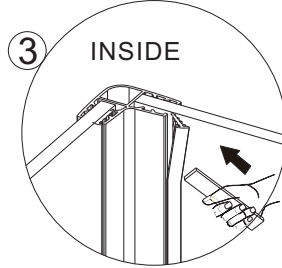
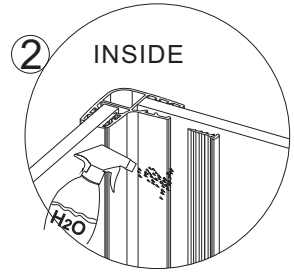
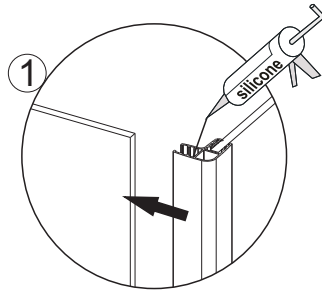
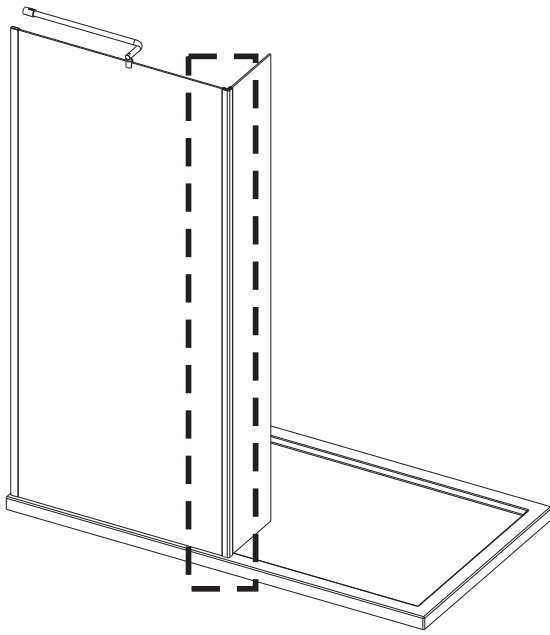
STEP 9 SILICONE THE OUTSIDE EDGES



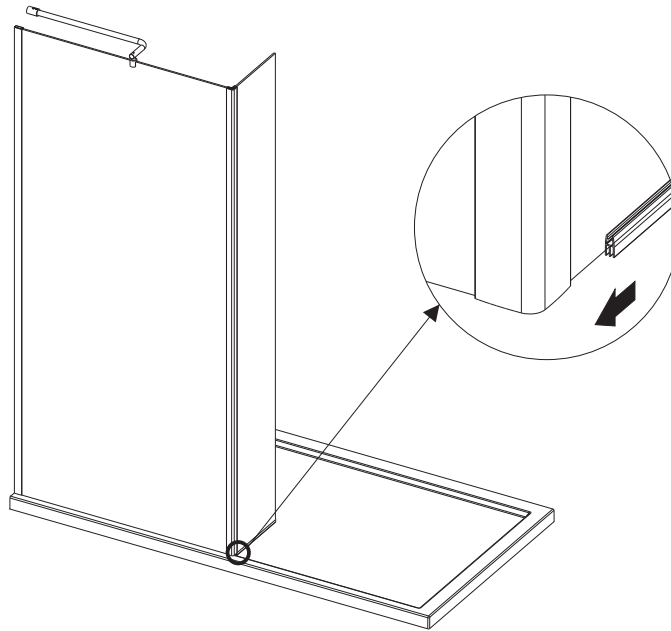
Allow 24 hours for silicone to dry before use. Silicone on the outside edge only

CORNER INSTALLATION WITH RETURN PANEL

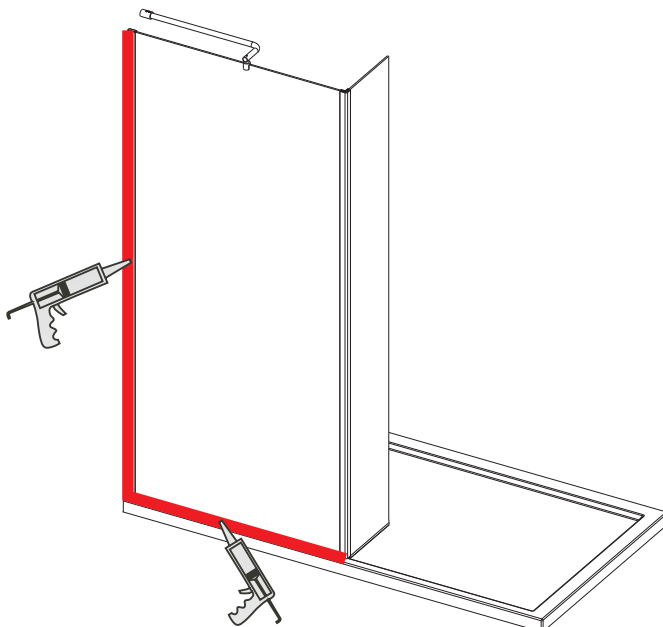
STEP 1 FITTING GLASS PANEL B AND THE WEDGE GASKET SEAL



STEP 2 FITTING THE BOTTOM SEAL



STEP 3 SILICONE THE OUTSIDE EDGES



Allow 24 hours for silicone to dry before use. Silicone on the outside edge only

CARE AND MAINTENANCE

1) AFTER CARE INSTRUCTIONS

Regularly clean your shower product with warm soapy water to prevent lime scale build up. Do not use abrasive cleaning fluids or materials, or strong chemical cleaners as this will damage the product surface.

2) MAINTENANCE

Clean the plastic parts with a cloth and mild detergent. Never use any abrasive creams, dissolvents, acetone or detergents and disinfectants that contain chlorine. The supplier accepts no liability for any type of use of care other than those contained in these instructions. The supplier reserves the right to introduce technical changes without notice.

COMMITMENT TO QUALITY

It is our intention that the quality and functions of this product are of the highest standard. If you require help we advise you firstly contact a competent plumber. However we understand that this may not always be the case, so should you experience any problems please contact our customer services quoting the following:

Product name: 6mm WET ROOM GLASS PANEL

Product code: SWG6M80 / SWG6M90 / SWG6M30

Customer help line number: 0344 804 48 48

INSTALLERS NOTES

INSTALLERS NOTES

INSTALLERS NOTES

INSTALLERS NOTES

INSTALLERS NOTES



Victoria Plum Limited, Bridgehead Business Park
Hesle, HU13 0DG

18

EN 14428 : 2015
DOP No.:J181008001-1

Shower enclosures with aluminium
profiles and safety glass

Essential characteristics	Performance	Harmonised technical specification
Cleanability	Pass	Clause 4.2 of EN 14428:2015
Impact resistance/shatter properties	Pass	Clause 4.3 of EN 14428:2015
Durability	Pass	Clause 4.4 of EN 14428:2015

The packaging you have received with your product is 100% recyclable.
It must be disposed of in a safe and environmentally friendly way.
We suggest you take it to the local landfill site and discard in the designated bins.