

# MODE

## BATHROOMS

### 8mm WET ROOM GLASS PANEL

Refer To Sheet 8 For Relevant Product Codes

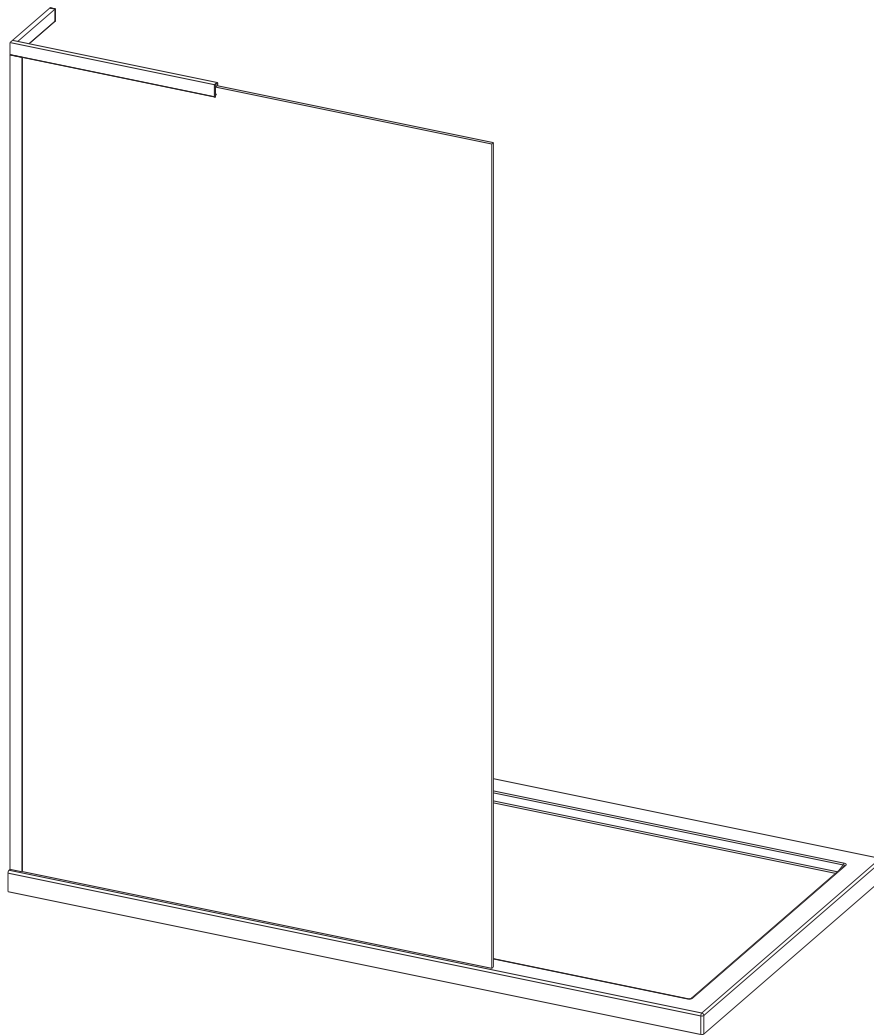


ILLUSTRATION SHOWS A LEFT HAND PANEL

Exclusively available @

**VictoriaPlum.com**

VictoriaPlum.com

0344 804 48 48

## BEFORE YOU START, HERE IS SOME IMPORTANT INFORMATION

### 1) General Information

Please inspect this product upon delivery, any missing parts or manufacturing defects must be reported immediately to the supplier. Damage or defects reported later will not be accepted. **TAKE CARE WHEN HANDLING GLASS PARTS - AVOID HEAVY CONTACT BETWEEN THE GLASS EDGES AND ANY HARD SURFACE.**

Glass breakage claims will not be accepted after the product has been unpacked.

Please note: Aluminium is a soft metal, and undergoes a series of extrusion, fabrication, polishing and anodising processes in order to create your finished shower enclosure. Some light surface marks are normal, and is a result of the manufacturing processes. Quality control has ensured that this item is of a good standard, and is fit for purpose.

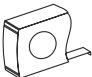


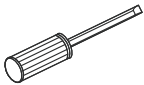

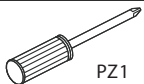

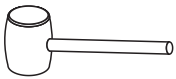
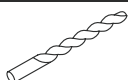

### 2) Additional Notes

Please read these instructions carefully before starting installation.

Special care should be taken when drilling walls to avoid hidden pipes or electrical cables.

Note: this product is heavy and may require two people to install.

## TOOLS REQUIRED

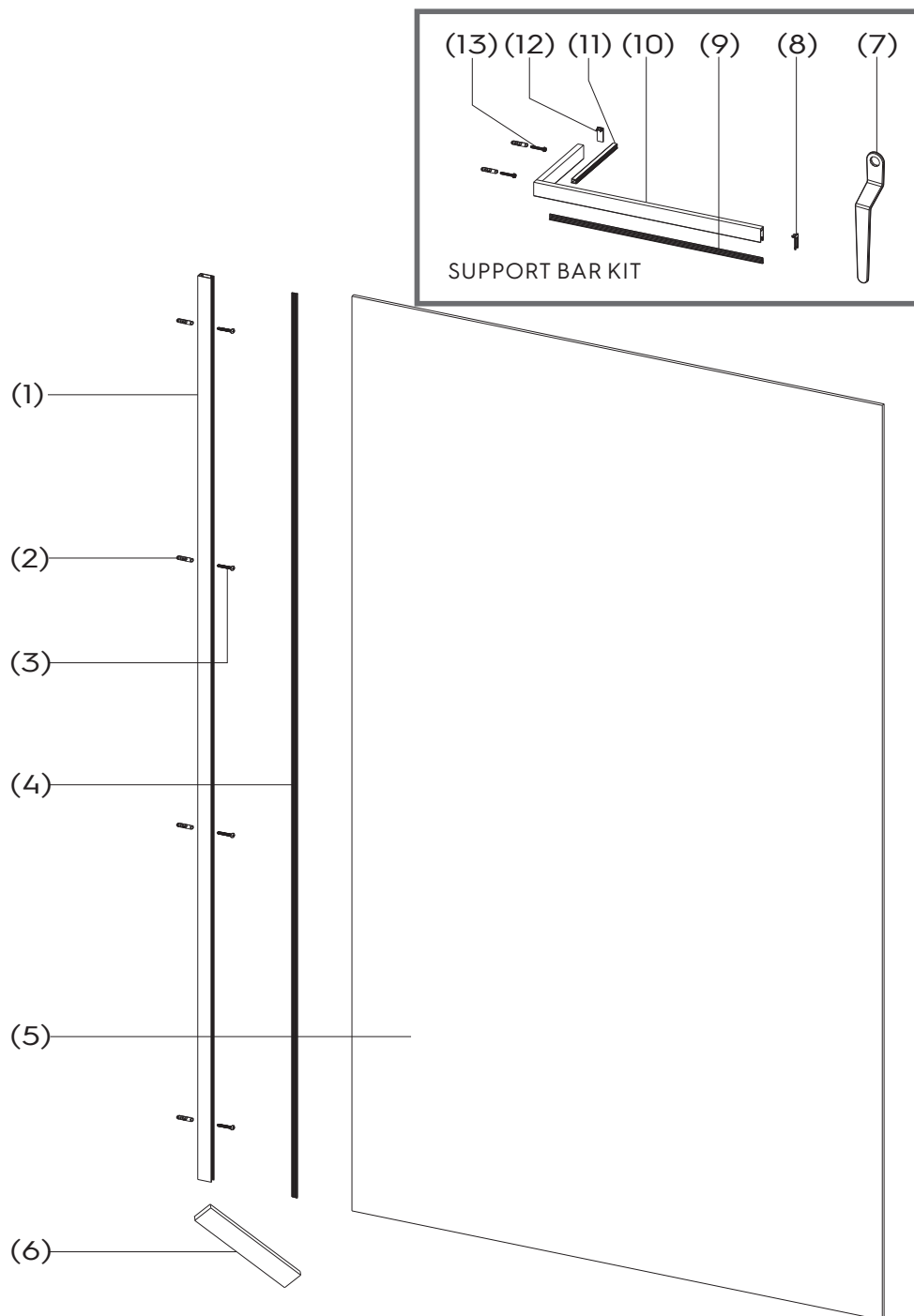
DESCRIPTION	PART IMAGE	DESCRIPTION	PART IMAGE
Tape measure		Drill	
Spirit level		Flat-head Screwdriver	
Pencil		Cross head Screwdriver	
Ø6mm Drill bit		Mallet	
Ø3mm Drill bit		Silicone Sealant	

 This product is heavy and may require two people to install.

# ASSEMBLY INSTRUCTIONS - DRAWING

## WET ROOM GLASS PANEL

NB: ALL MEASUREMENTS + COMPONENT SIZES QUOTED ARE IN MM.



### PACK I.D

- B (1) 1x Wall Profile
- E (2) 6x Wall Plugs
- E (3) 4x Screws B 4x30
- E (4) 1x Wedge Gasket Seal A
- A (5) 1x Glass Panel
- E (6) 1x Gasket fitting hand tool

### PACK I.D SUPPORT BAR KIT

- E (7) 1x Spanner for hex screw
- E (8) 1x Cover Cap
- E (9) 1x Wedge Gasket Seal B
- B (10) 1x Support Bar System
- C (11) 1x Insert Seal
- E (12) 1x End Cap
- E (13) 2x Screws A 4x30

**NOTE: SUPPORT BAR KIT NOT INCLUDED OR REQUIRED FOR 400mm PANEL.**

## ASSEMBLY INSTRUCTIONS

If you require help, we advise you to contact a competent plumber.

### Installation Steps

THESE DIMENSIONS ASSUME THE WALLS ARE PLUMB AND THE SHOWER TRAY IS LEVEL, AND THAT THE WALLS ARE TILED DOWN TO THE TOP OF THE TRAY USING A 10mm TILE/WET WALL PANEL.

### FITTED WET ROOM DRAWING

700/800/900/1000/1100/1200mm



## STEP 1 CHECK BOX CONTENTS ARE CORRECT AND THEN MEASURE KEY COMPONENTS.

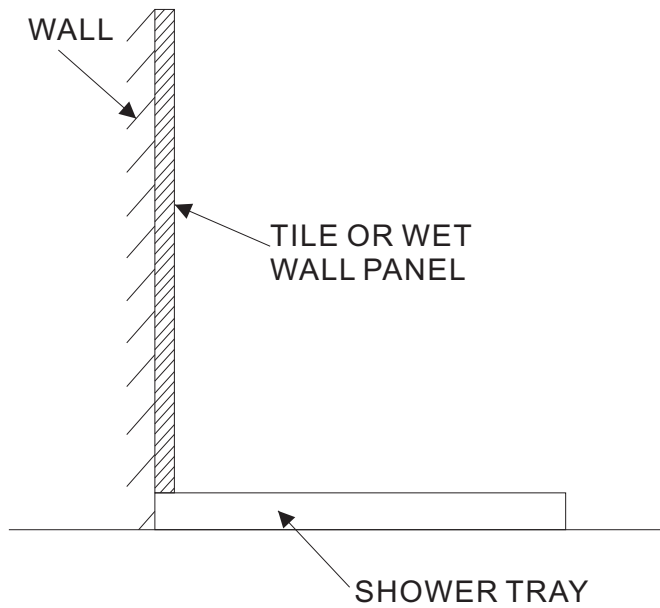
Measurement Matrix (before assembly)

Dimension in mm

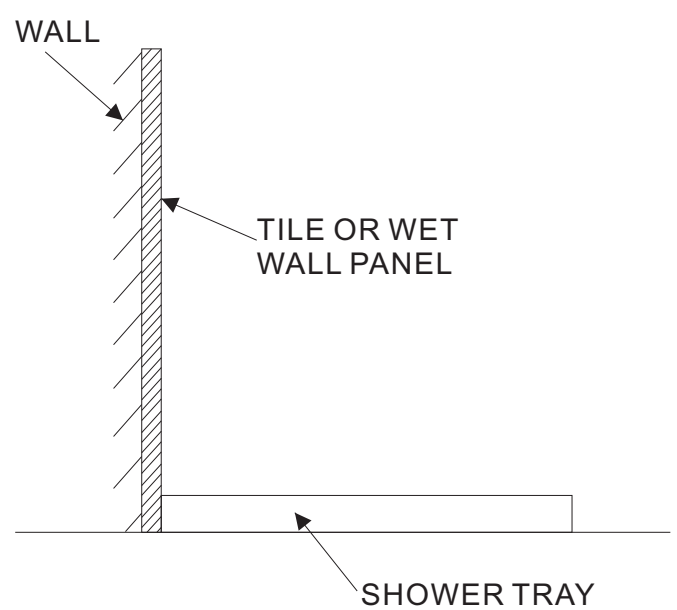
Units supplied loose for self assembly	V8SWG070	V8SWG080	V8SWG090	V8SWG100	V8SWG110	V8SWG120	V8SWG041950
Flat fixed panel glass	669x1950x8	769x1950x8	869x1950x8	969x1950x8	1069x1950x8	1169x1950x8	369x1950x8
Wall posts	30x1926	30x1926	30x1926	30x1926	30x1926	30x1926	1950x30

## STEP 2 DRAWING TO SHOW CORRECT SHOWER TRAY INSTALLATION

**YES** ✓

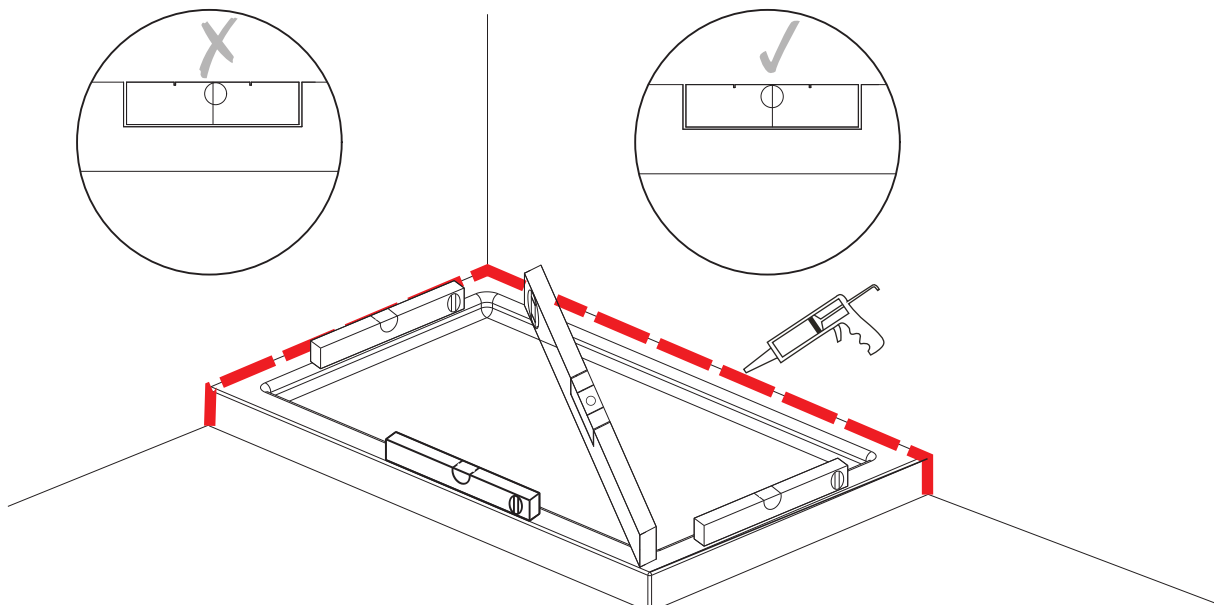


**NO** ✗

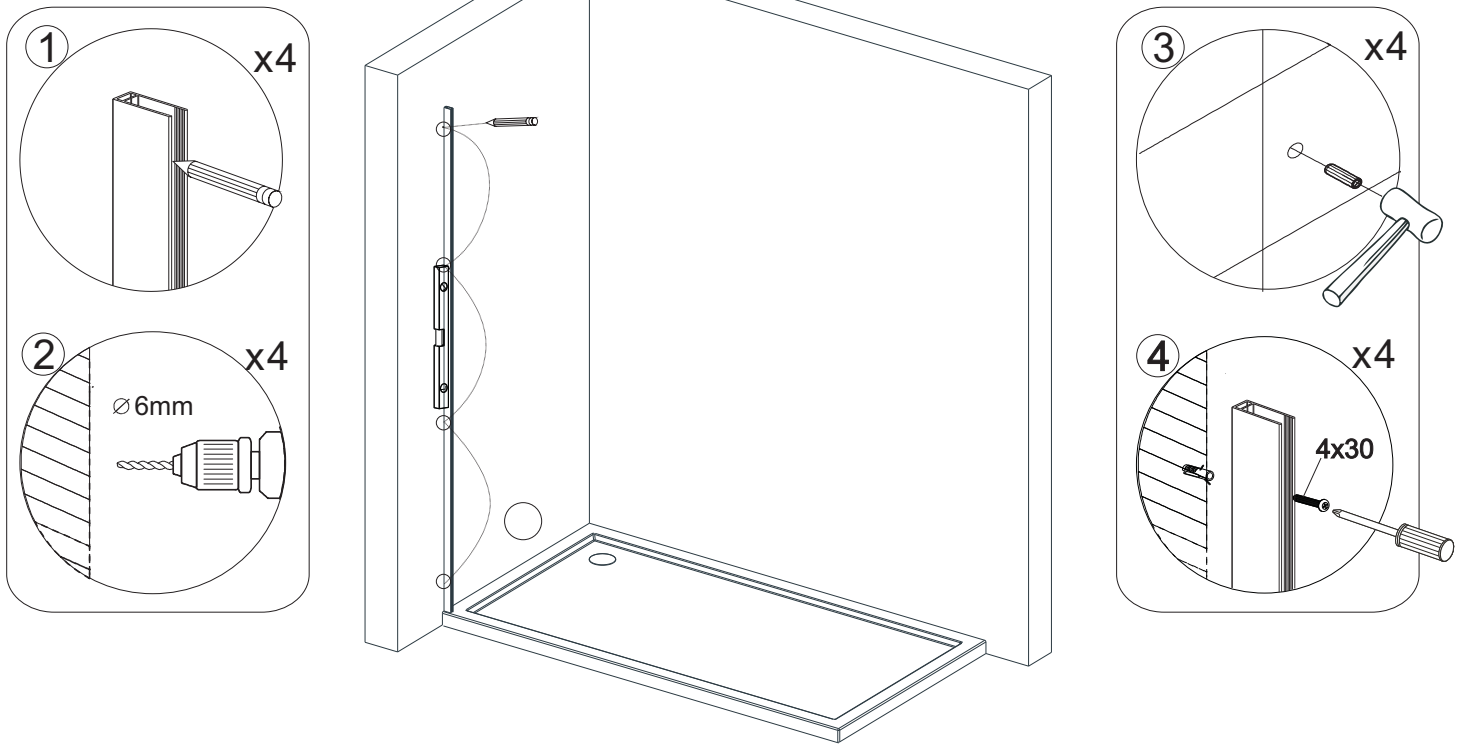


## STEP 3 TRAY TO BE LEVEL

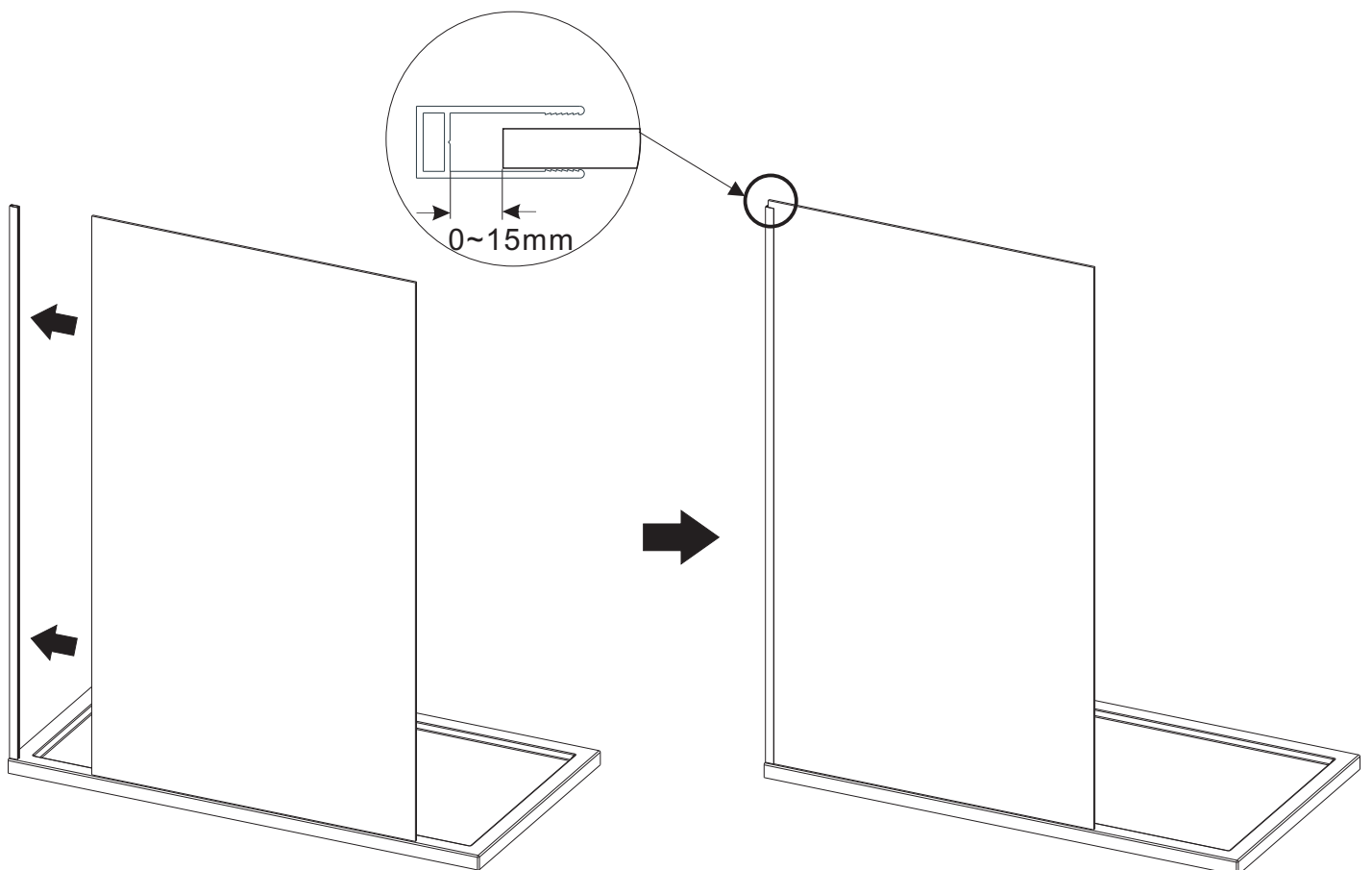
MAKE SURE THE TRAY IS LEVEL, USING A SPIRIT LEVEL, BEFORE INSTALLING THIS SHOWER PANE/DOOR, AND THAT SILICONE IS APPLIED ON ALL SIDES WHERE THE TRAY MEETS THE TILES / WET WALL PANELS



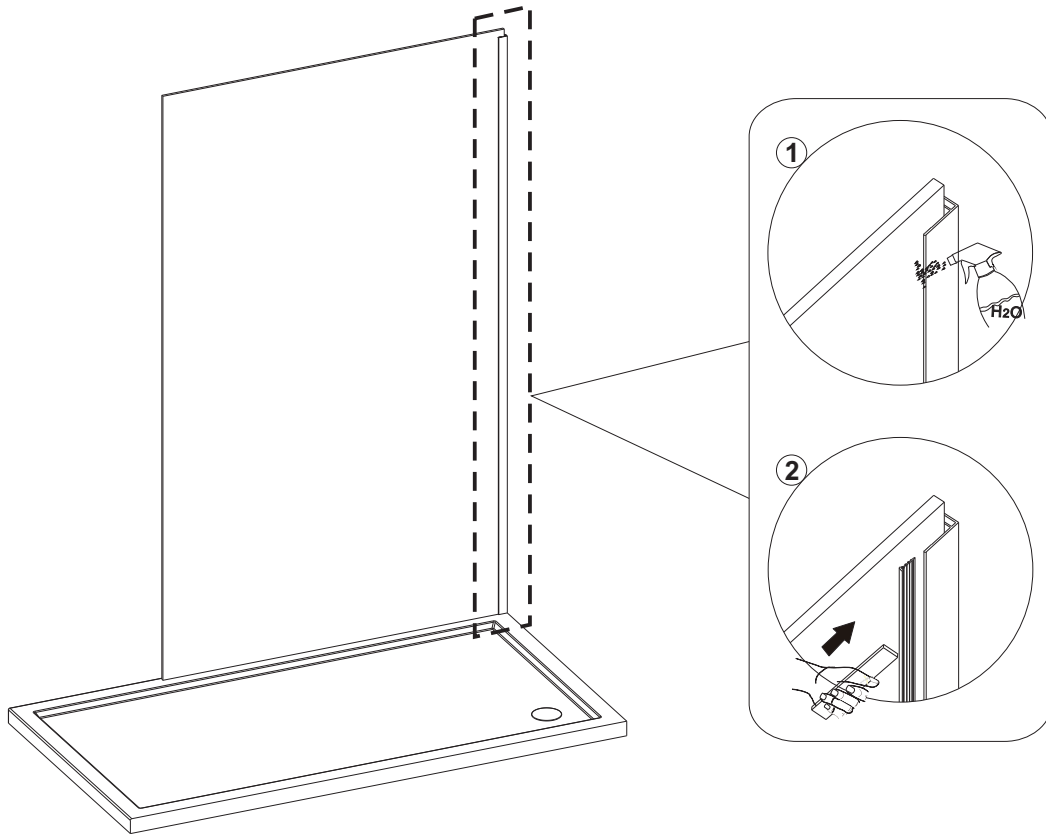
## STEP 4 DRILLING WALL PROFILE TO THE WALL



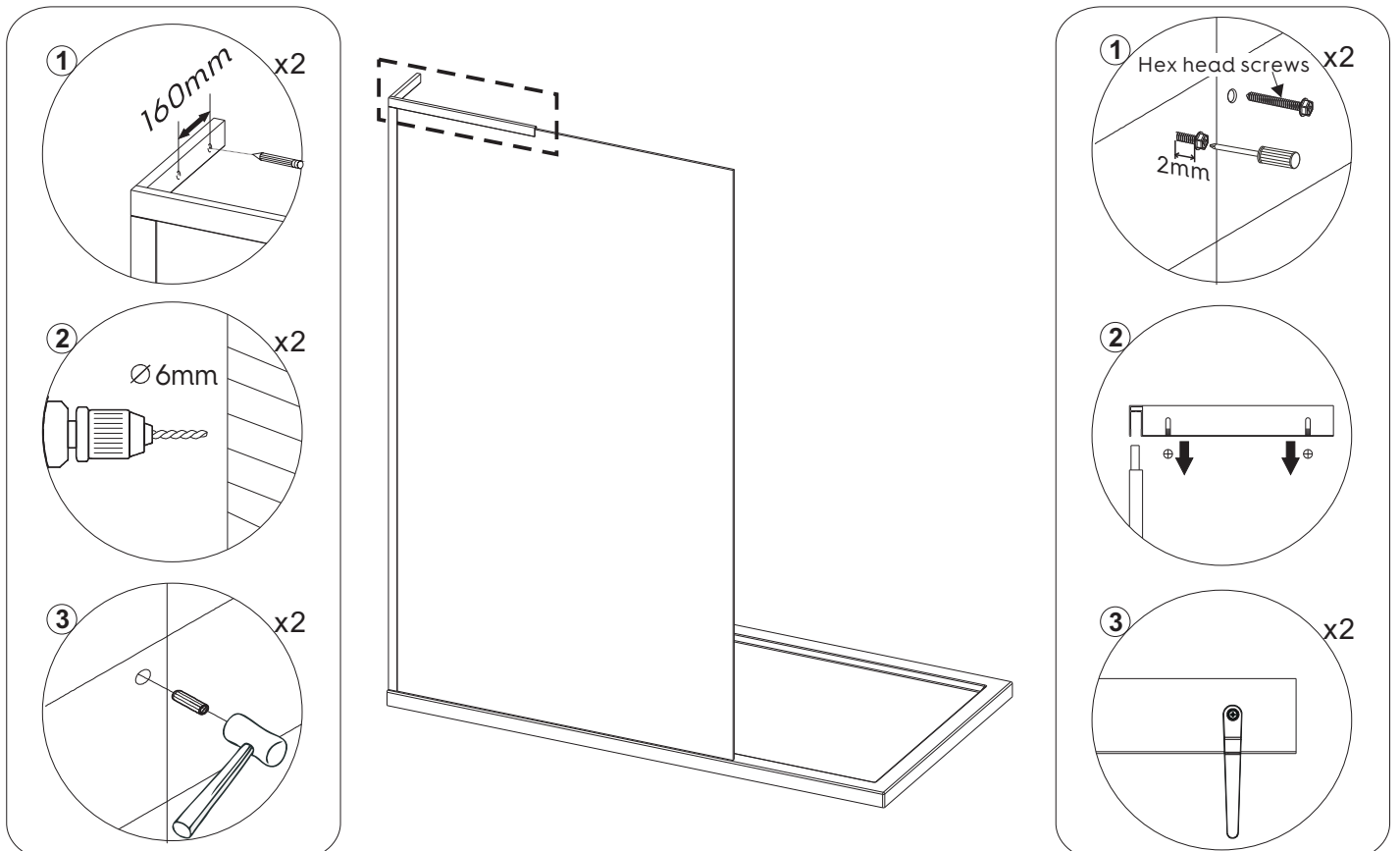
## STEP 5 FITTING THE GLASS PANEL



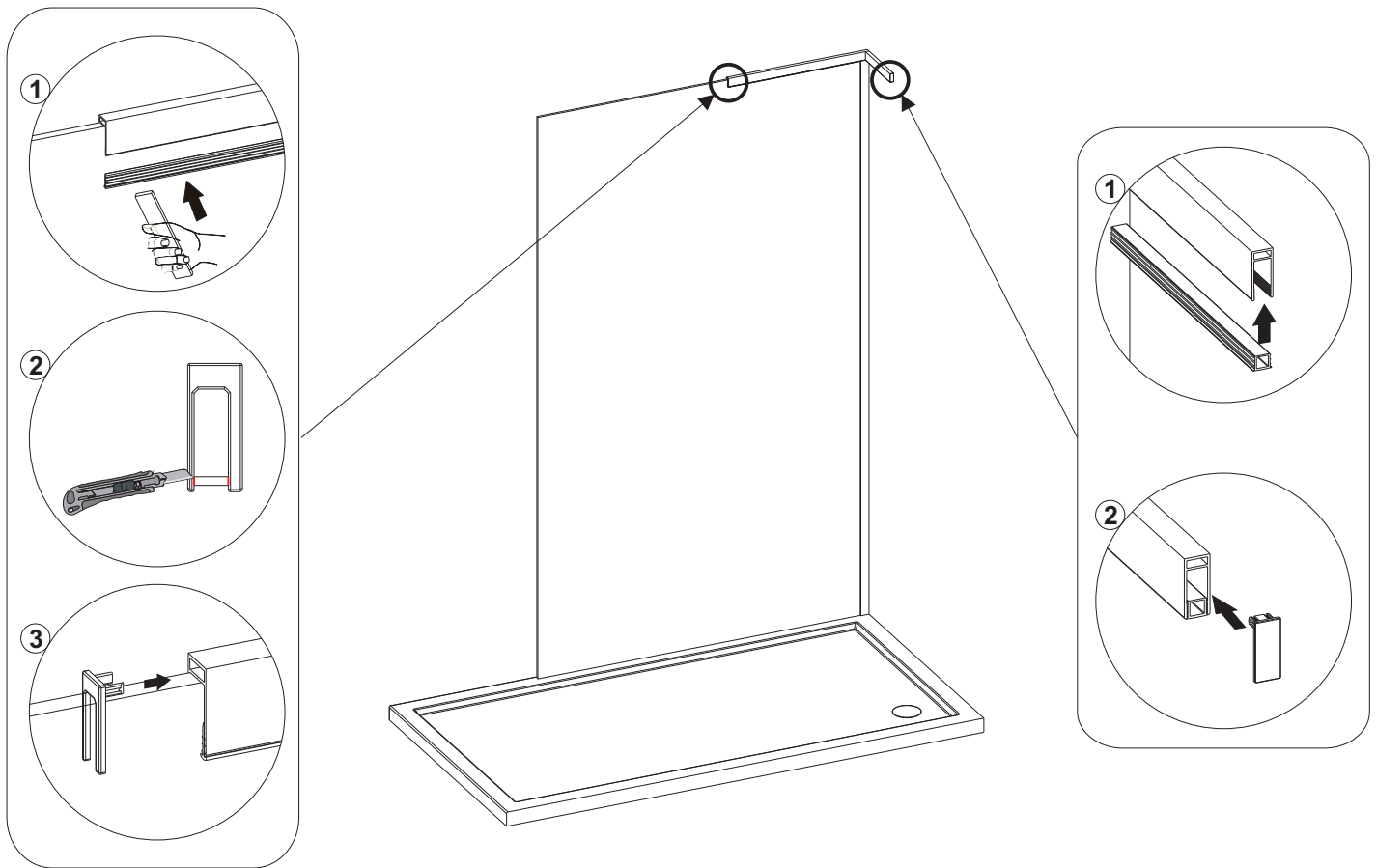
## STEP 6 FITTING THE WEDGE GASKET SEAL



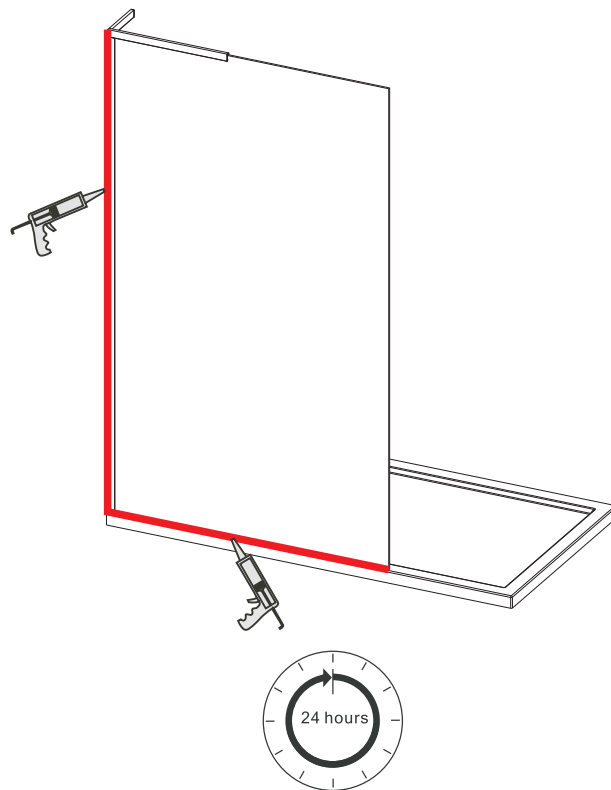
## STEP 7 MARK THE SUPPORT BAR DRILL HOLES ON THE WALL AND FITTING SUPPORT BAR SYSTEM



## STEP 8 FITTING THE SUPPORT BAR SYSTEM SEALS AND CAPS



## STEP 9 SILICONE THE OUTSIDE EDGES



**Allow 24 hours for silicone to dry before use. Silicone on the outside edge only**



## CARE AND MAINTENANCE

### 1) AFTER CARE INSTRUCTIONS

Regularly clean your shower product with warm soapy water to prevent lime scale build up. Do not use abrasive cleaning fluids or materials, or strong chemical cleaners as this will damage the product surface.

### 2) MAINTENANCE

Clean the plastic parts with a cloth and mild detergent. Never use any abrasive creams, dissolvents, acetone or detergents and disinfectants that contain chlorine. The supplier accepts no liability for any type of use of care other than those contained in these instructions. The supplier reserves the right to introduce technical changes without notice.

---

## COMMITMENT TO QUALITY

It is our intention that the quality and functions of this product are of the highest standard. If you require help we advise you firstly contact a competent plumber. However we understand that this may not always be the case, so should you experience any problems please contact our customer services quoting the following:

Product name: 8mm WET ROOM GLASS PANEL

Product code: V8SWG070/V8SWG080/V8SWG090/V8SWG100/V8SWG110/  
V8SWG120/V8SWG041950

Customer help line number: 0344 804 48 48

# INSTALLERS NOTES

# INSTALLERS NOTES



Victoria Plum Limited, Bridgehead Business Park  
Hesle, HU13 0DG

18

EN 14428 : 2015  
DOP No.:J180709001-2

Shower enclosures with aluminium  
profiles and safety glass

<b>Essential characteristics</b>	<b>Performance</b>	<b>Harmonised technical specification</b>
Cleanability	Pass	Clause 4.2 of EN 14428:2015
Impact resistance/shatter properties	Pass	Clause 4.3 of EN 14428:2015
Durability	Pass	Clause 4.4 of EN 14428:2015

The packaging you have received with your product is 100% recyclable.  
It must be disposed of in a safe and environmentally friendly way.  
We suggest you take it to the local landfill site and discard in the designated bins.