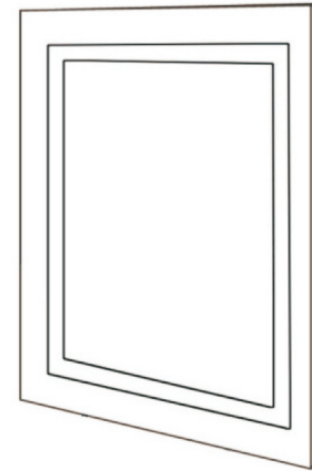


Installation Manual



Please retain this manual after installation for future reference and maintenance.

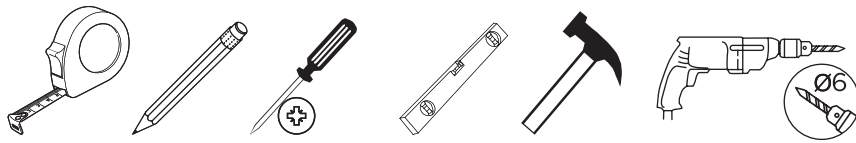
Images are for installation purposes only.



IMPORTANT

Handle with care, impact can damage the mirror.
Use of safety equipment is advised.

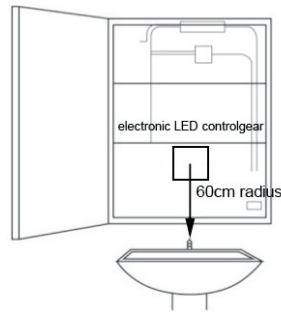
Tools Required(not provided)



Electrical Safety Installation Information

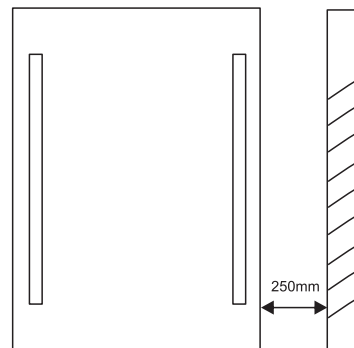
PLEASE NOTE:

- All electrical products should be fitted by a suitably qualified electrician in accordance with national wiring regulations (BS7671).
- Ensure mains power supply is switched off before starting any electrical installation.
- Before drilling, ensure there are no hidden cables or pipes in the wall.
- The product is IP 44 rated and suitable for Zone 2:
Zone 2 is an area stretching 0.6m outside the perimeter of the bath and to a height of 2.25m from the floor. In this zone an IP rating of at least IP 44 is required. In addition it is good practice to consider the area around a wash basin, within a 60cm radius of any tap to be considered as zone 2. However the connection to the mains supply must be outside the zone.



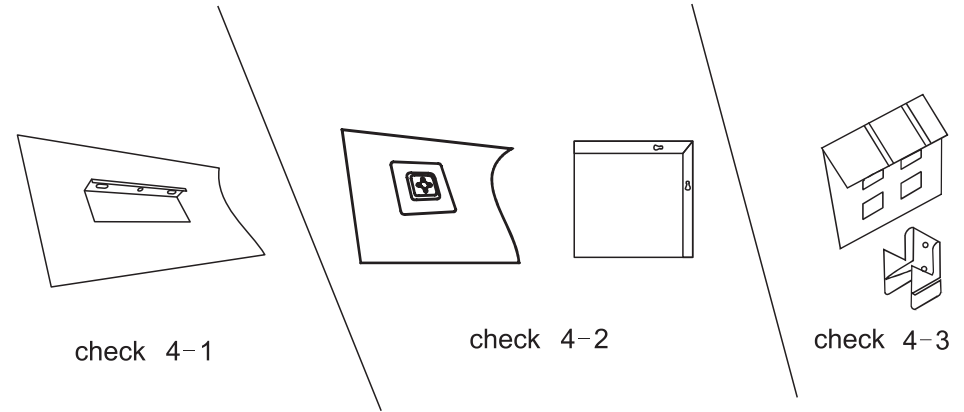
Product Specification

Wattage	Max.15W
Voltage	220-240V, 50Hz
Certificate	CE, IP44, RoHS



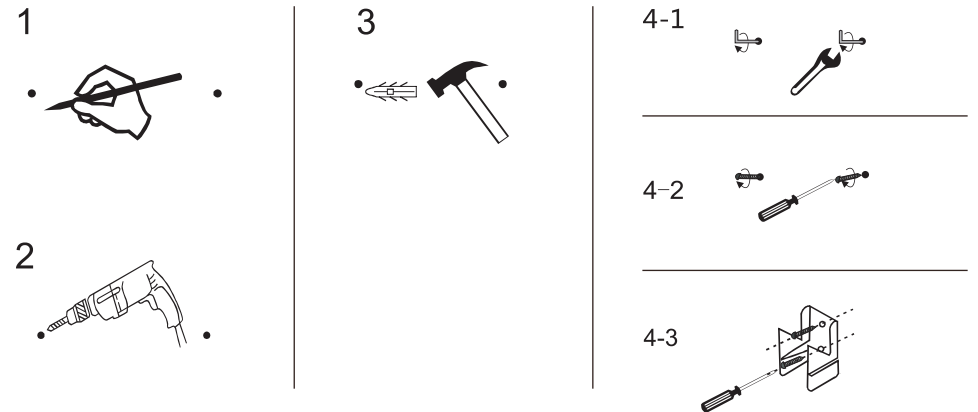
Ensure the sensor are positioned at least 250mm away from any solid surface including walls.

1



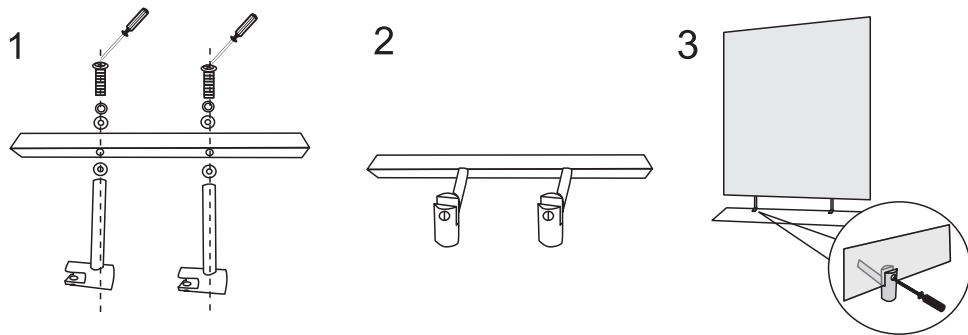
Please Note: There are three different types of fitting brackets please check which style is on the mirror you have purchased.

2



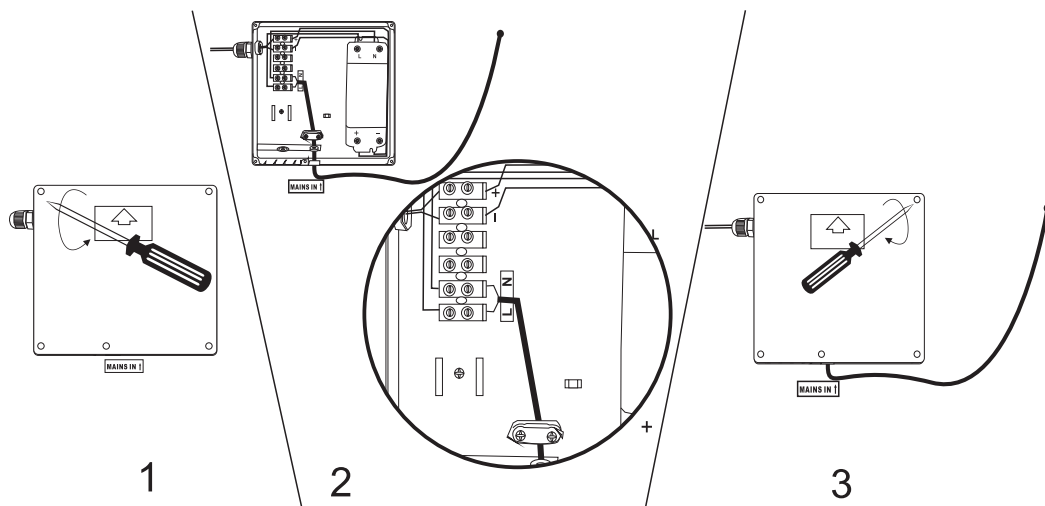
Measure the distance between the two brackets, mark the distance on the wall, check the marks are level, drill the holes, insert the wall plugs and fix according to 4-1, 4-2 or 4-3

3



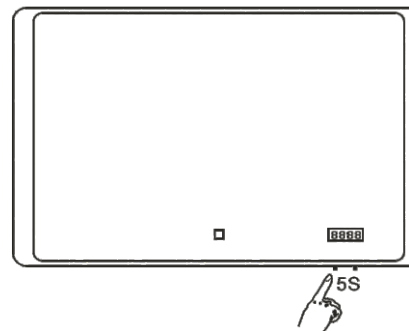
If a product comes without glass shelf, please ignore step 3.

4

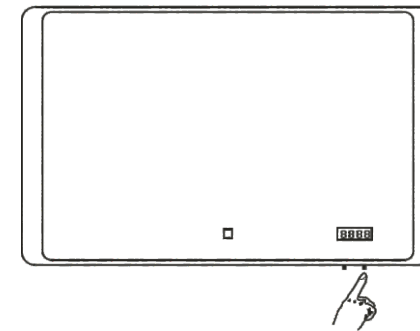


5

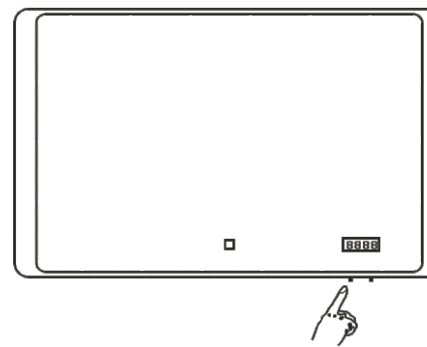
If the product comes with a clock, please further follow step 5.



a) Press and hold the left button till the Hr/Min digits flash.



b) Press the right button to reset the Hr/Min.



c) Press the left button again to end the setting.