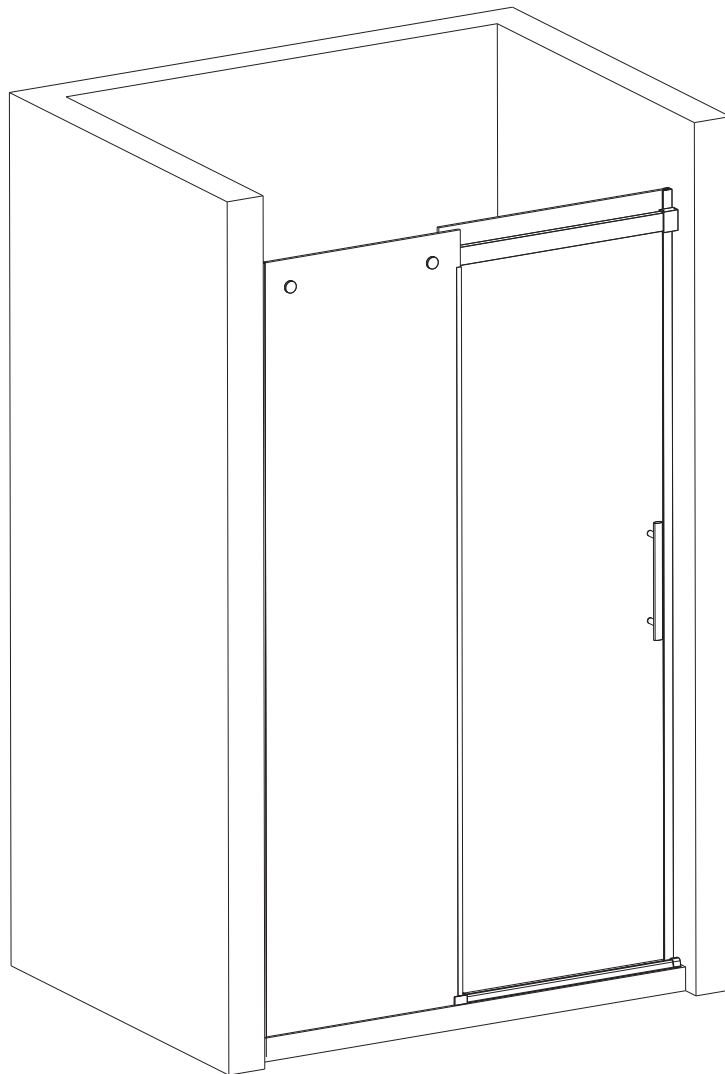


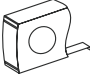


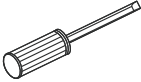
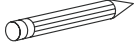
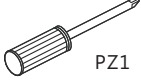

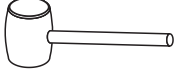
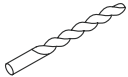

8mm FRAMELESS SLIDING DOOR GUIDE




General Information

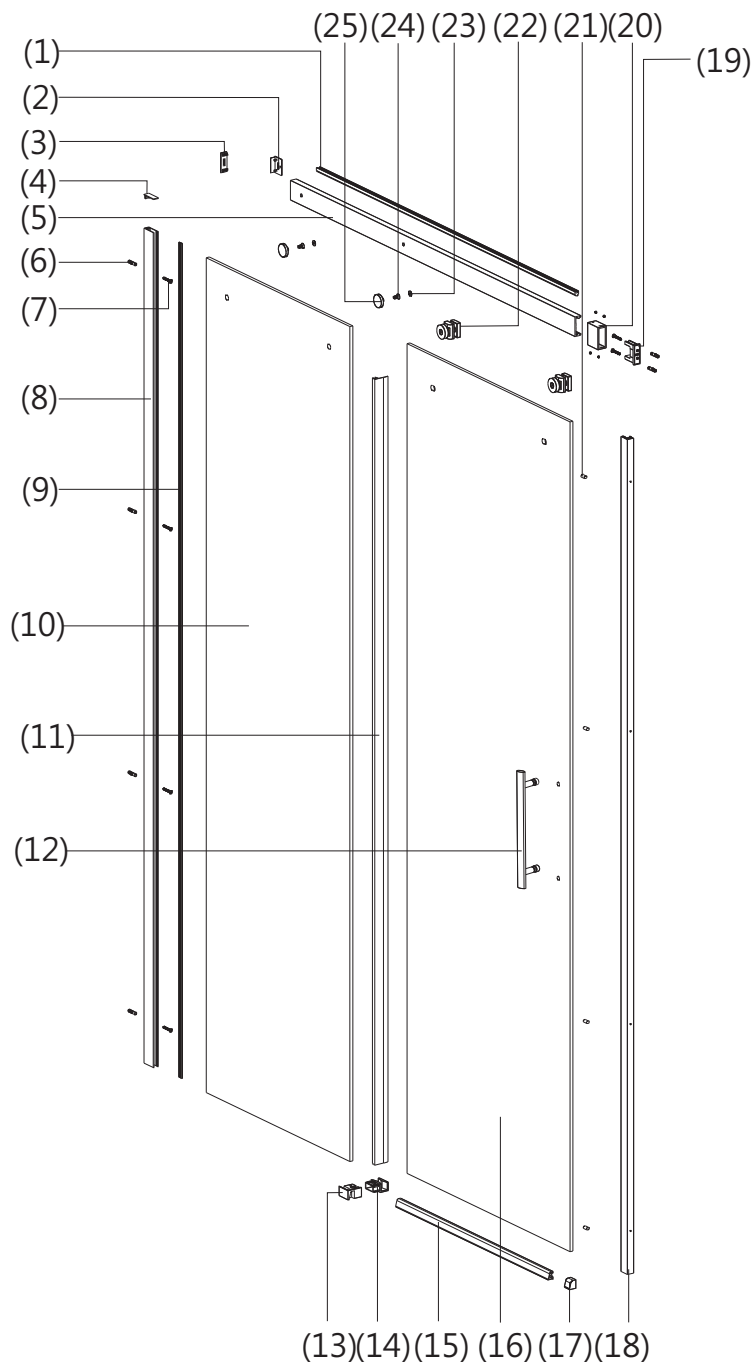
Please inspect this product upon delivery. Any missing parts or manufacturing defects must be reported immediately to the supplier. Damage or defects reported later will not be accepted. TAKE CARE WHEN HANDLING GLASS PARTS-AVOID HEAVY CONTACT BETWEEN THE GLASS EDGES AND ANY HARD SURFACE. Glass breakage claims will not be accepted after the product has been unpacked.

TOOLS REQUIRED

DESCRIPTION	PART IMAGE	DESCRIPTION	PART IMAGE
Tape measure		Drill	
Spirit level		Flat-head Screwdriver	
Pencil		Cross head Screwdriver	 PZ1
Ø6mm Drill bit		Mallet	
Ø3mm Drill bit		Silicone Sealant	

 This product is heavy and may require two people to install.

ASSEMBLY INSTRUCTIONS - DRAWING



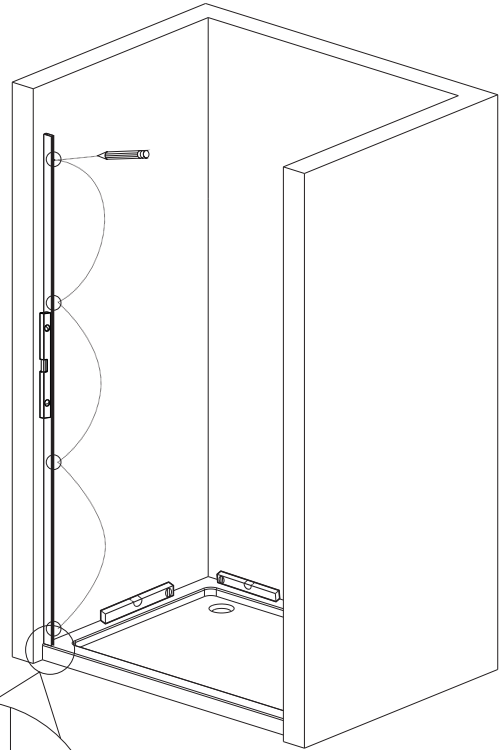
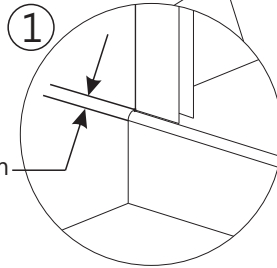
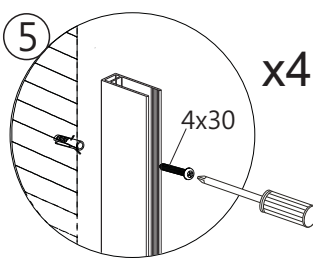
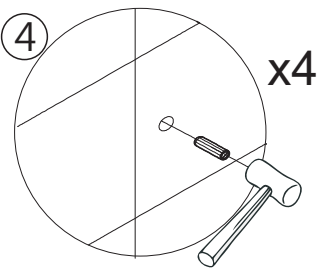
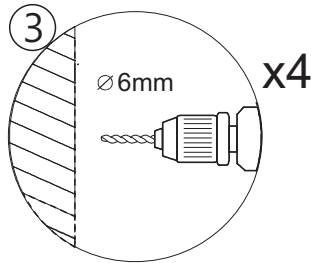
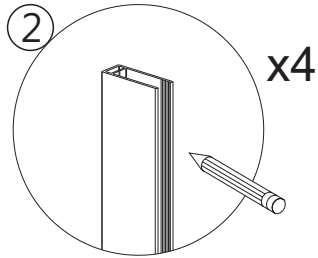
- | | |
|--|-----------------------------------|
| (1) 1x Guide Rail Seal | (14) 1x Bottom Guide Blocks Part |
| (2) 1x Bump Stop Cap | (15) 1x Drip Strip |
| (3) 1x Cover Cap (Guide Rail) | (16) 1x Moving Panel |
| (4) 1x Wall Post Cover Cap A | (17) 2x Drip Strip End Caps (L+R) |
| (5) 1x Guide Rail | (18) 1x Wall Profile B |
| (6) 10x Wall Plugs | (19) 1x Wall Fixing Seat |
| (7) 10x Screws 4x30 | (20) 1x Adjustment Bracket |
| (8) 1x Wall Profile A | (21) 4x Bump Stops |
| (9) 1x Wedge Gasket Seal | (22) 2x Rollers |
| (10) 1x Fixed Panel | (23) 2x Screw Caps |
| (11) 2x Fixed/Moving Panel Seals | (24) 2x Screws M6x10 |
| (12) 1x Handle | (25) 2x Glass-Fitting Parts |
| (13) 2x Bottom Guide Blocks Part B (L+R) | |

SLIDING DOOR RECESS INSTALLATION

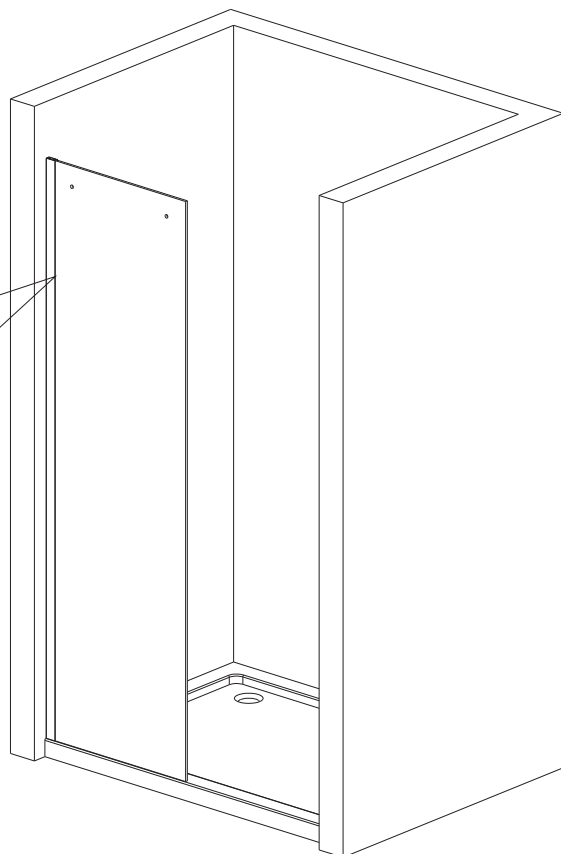
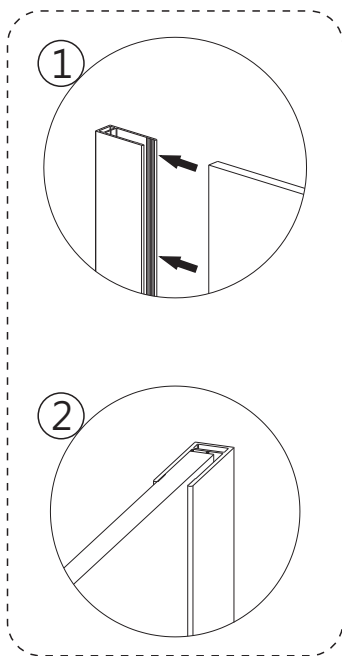
Before Installation

Please ensure that the shower tray is level and checked with a spirit level. The tray should be installed first. Tiles should then be tiled down to the tray. The enclosure can then be installed.

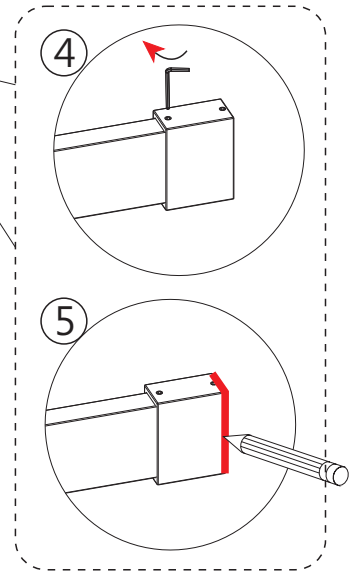
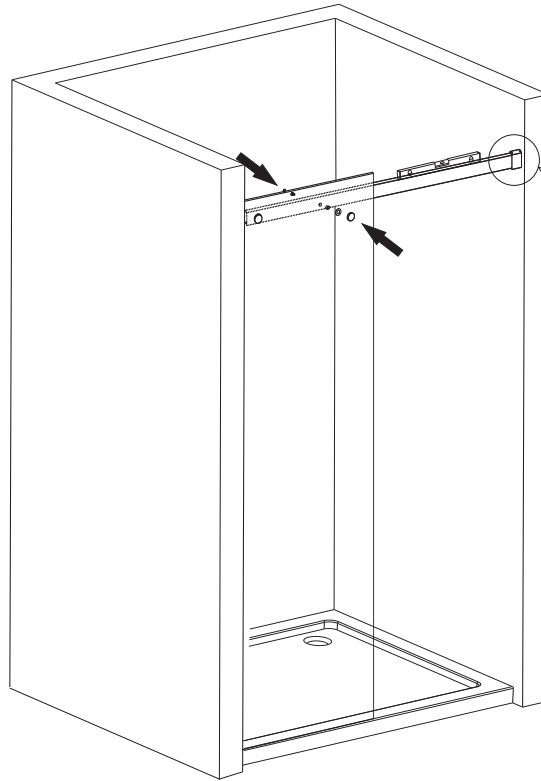
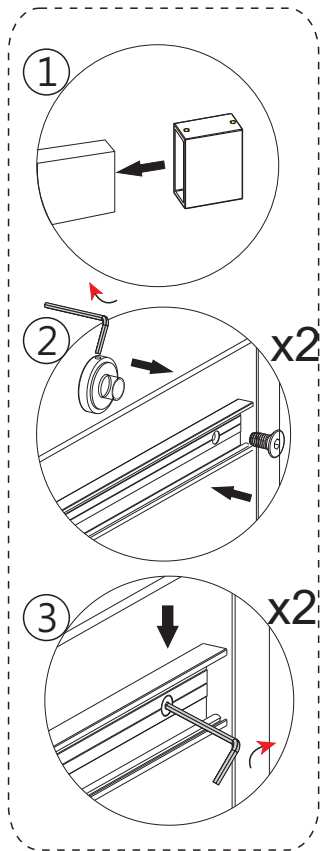
Step 1 DRILLING WALL PROFILE TO THE WALL



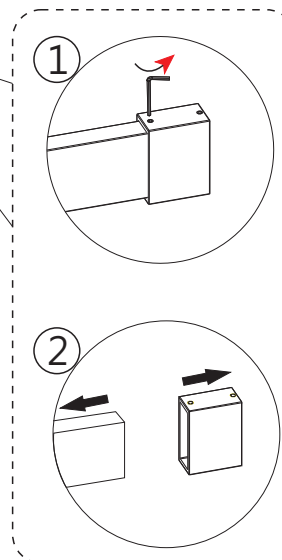
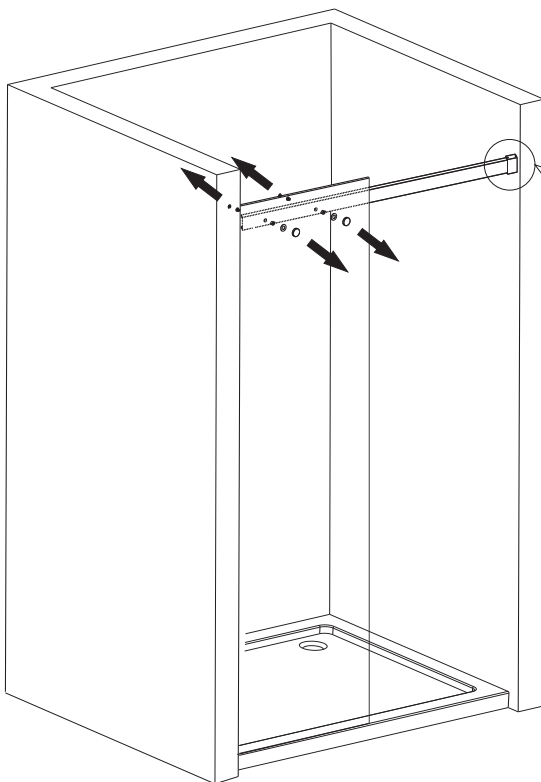
Step 2



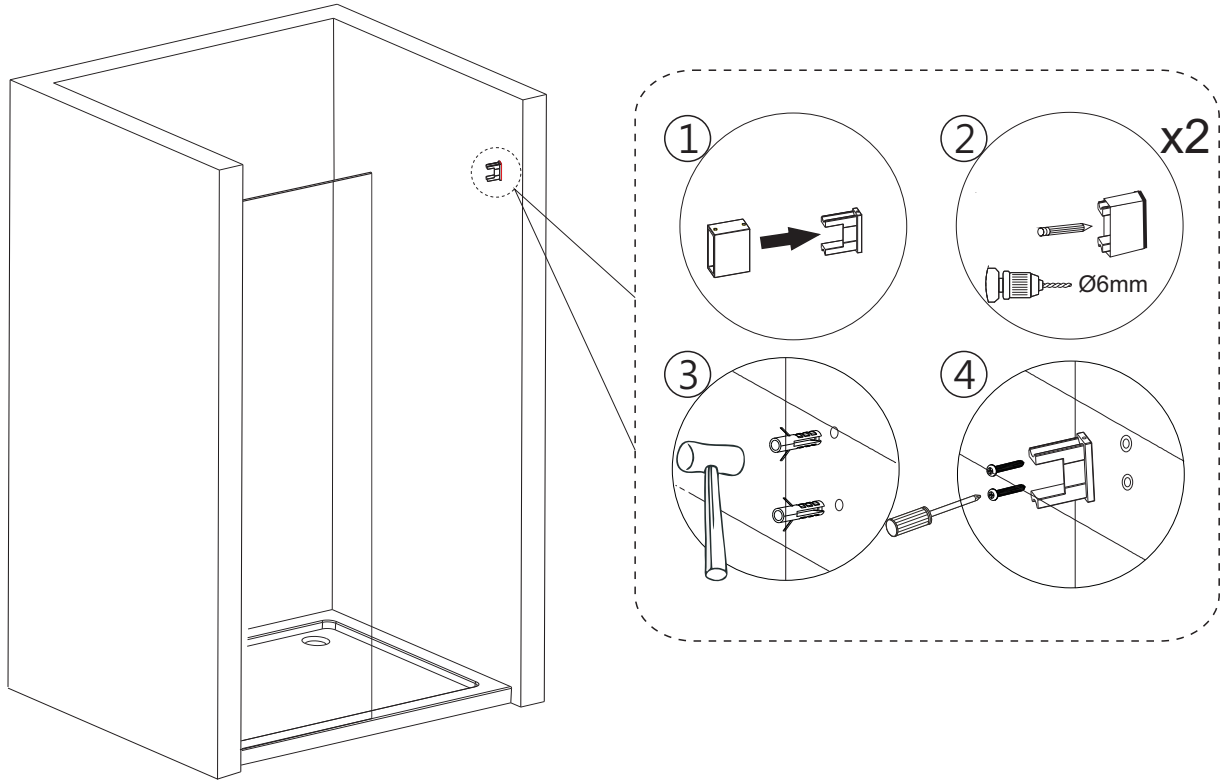
Step 3



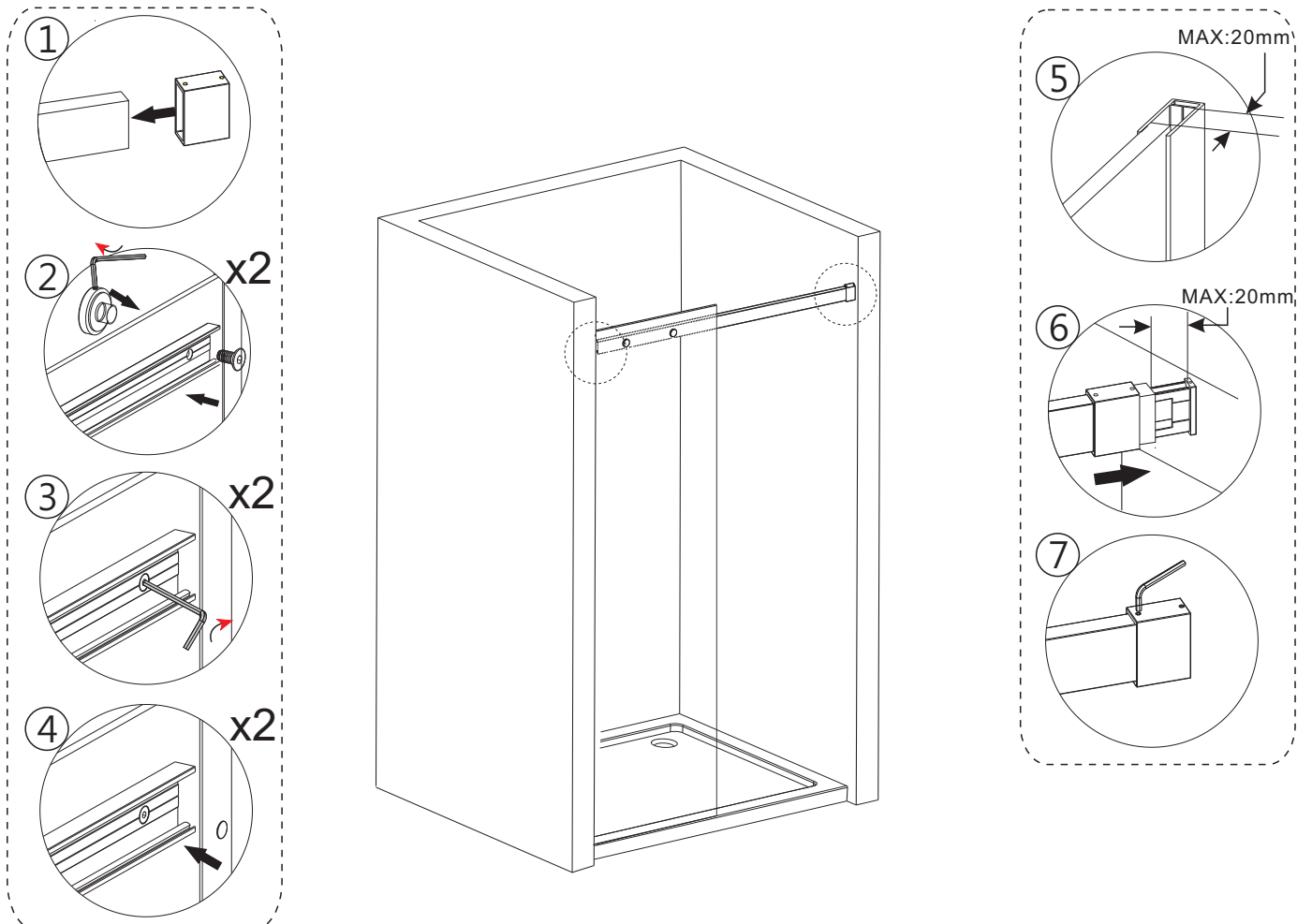
Step 4



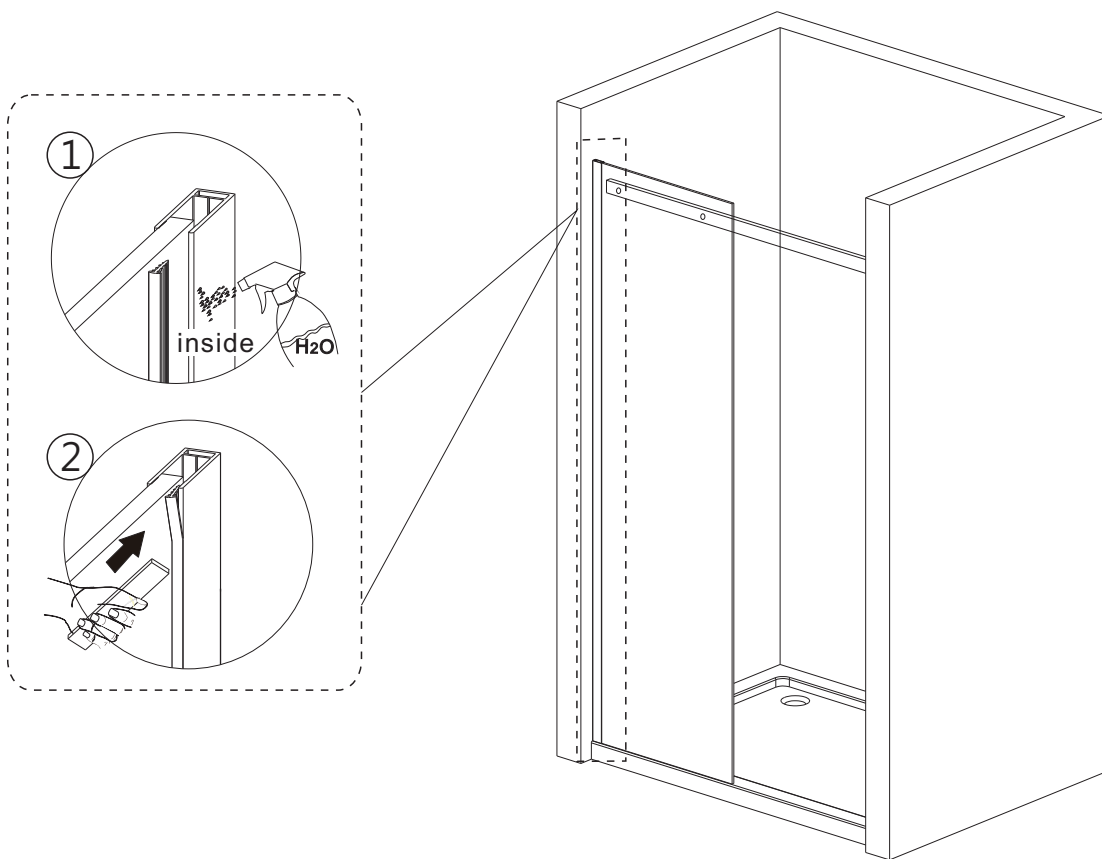
Step 5



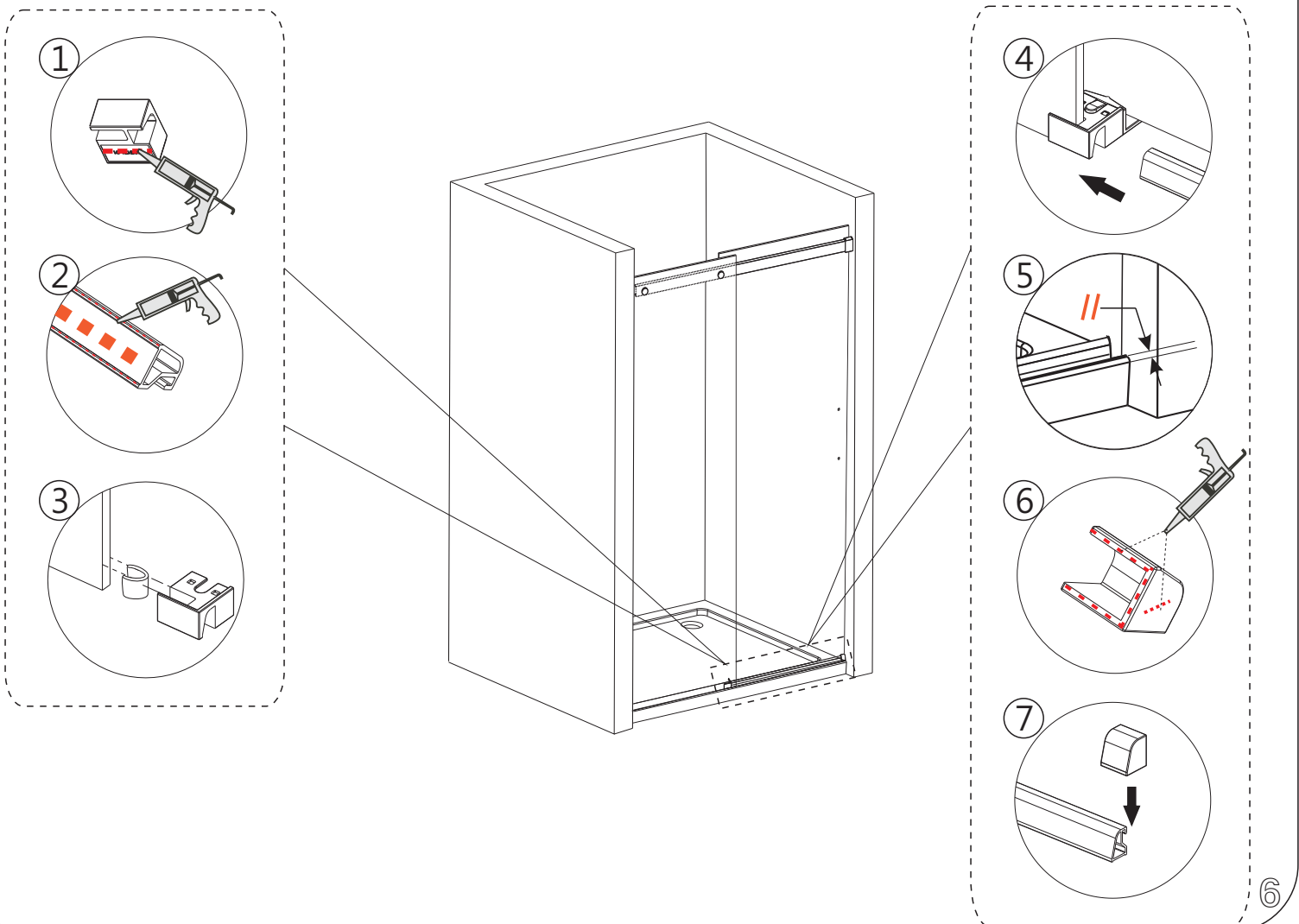
Step 6



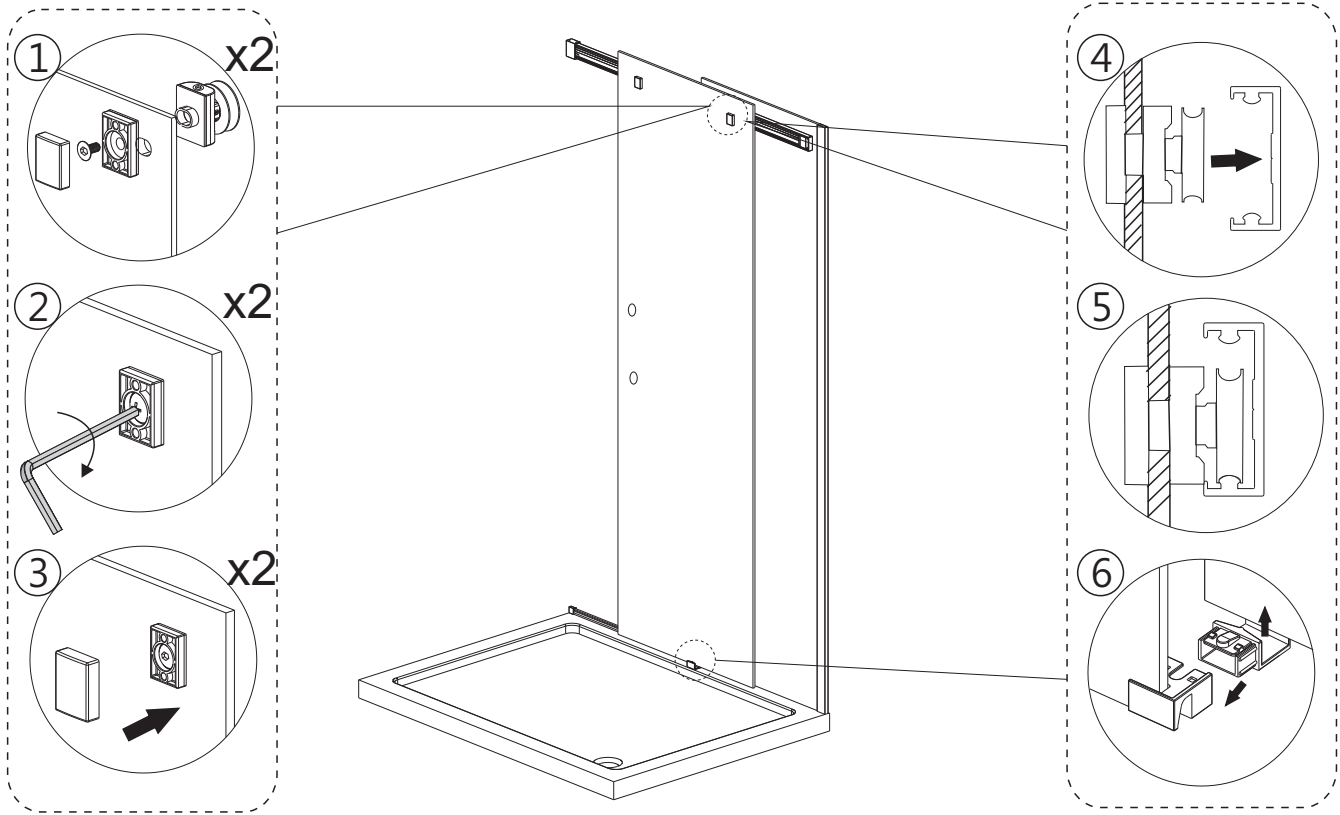
Step 7



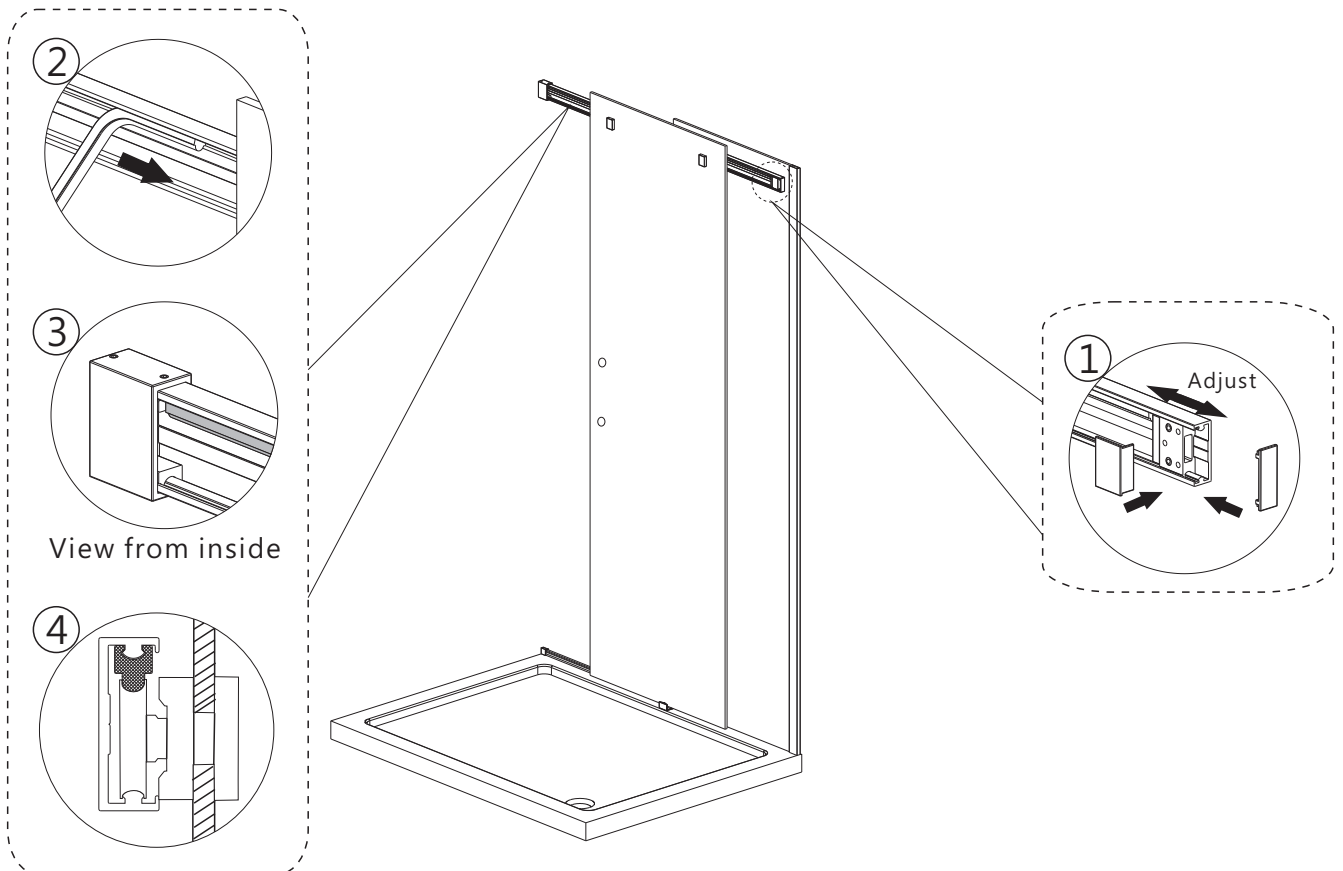
Step 8



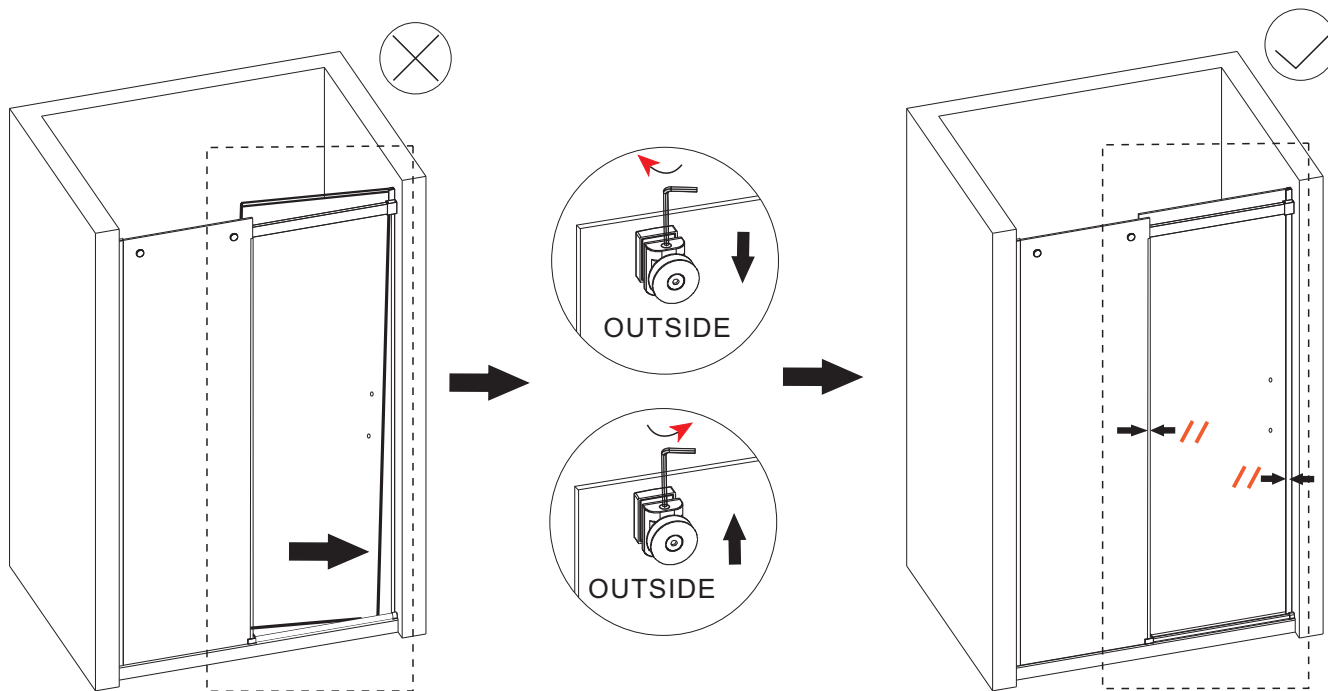
Step 9



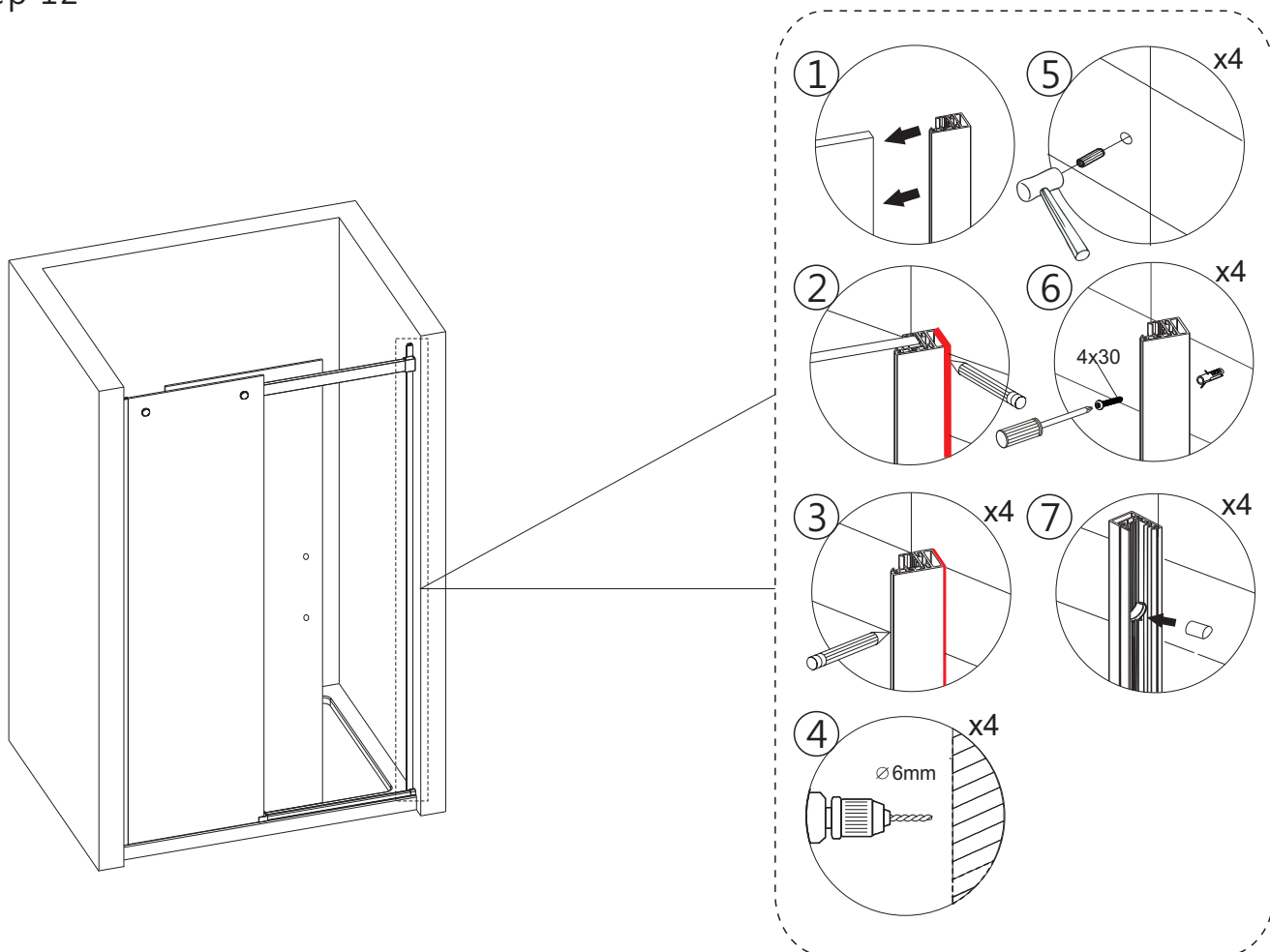
Step 10



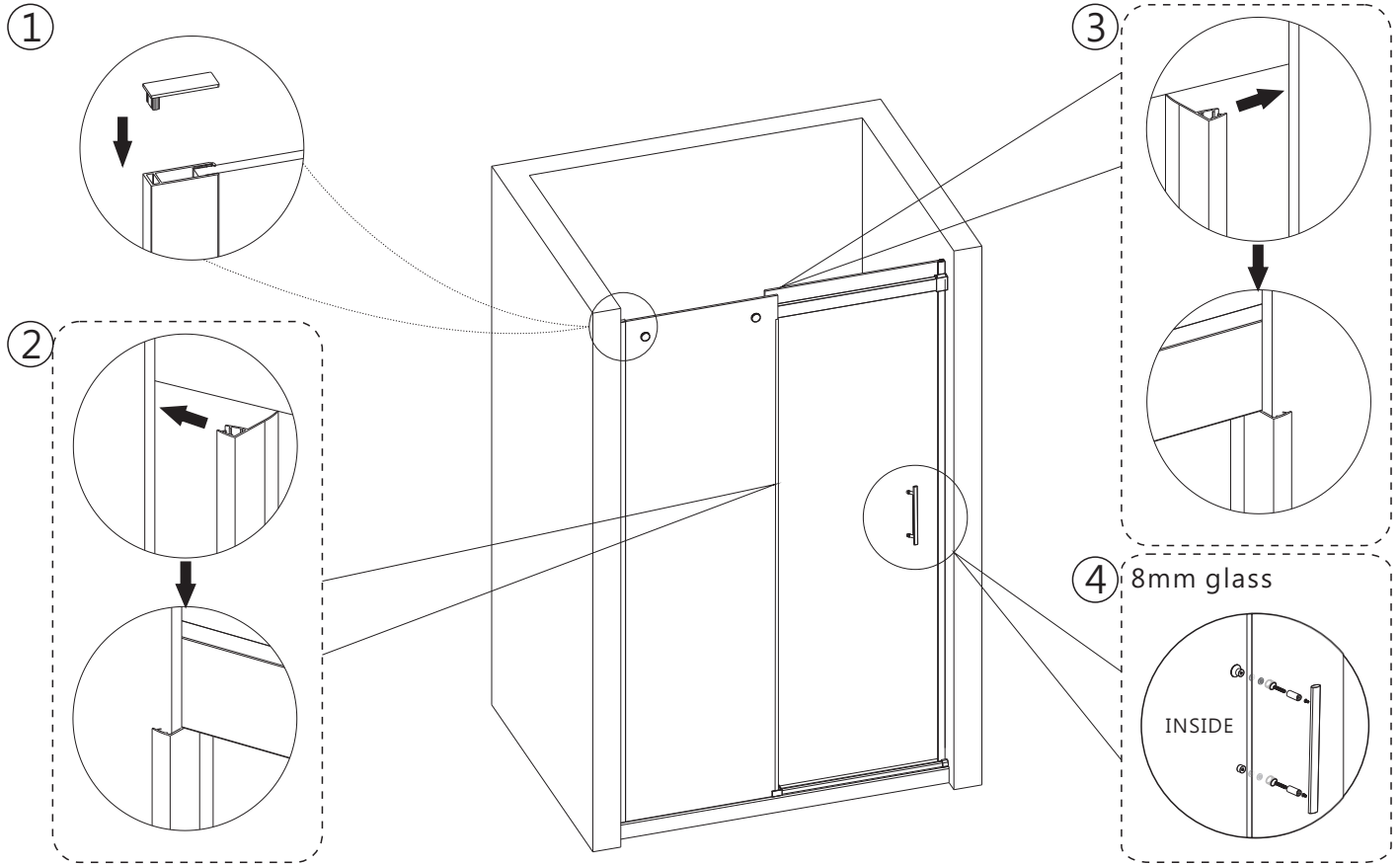
Step 11



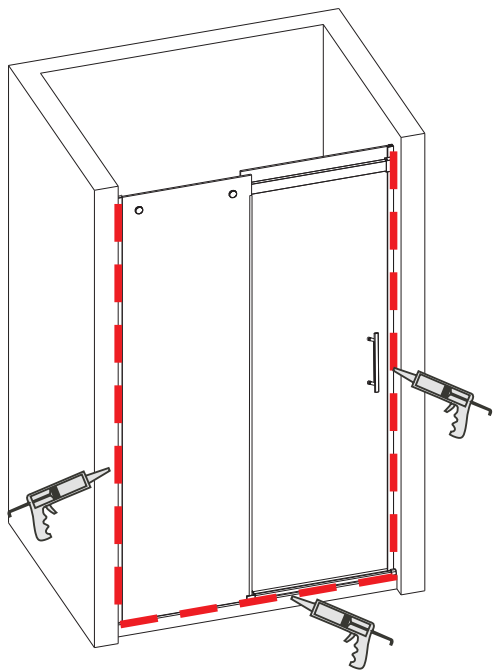
Step 12



Step 13



Step 14



Allow 24 hours for silicone to dry before use. Silicone on the outside edge only, NOT THE INSIDE

Aftercare instructions

Regularly clean your shower product with warm soapy water to prevent lime scale build up. **DO NOT** use abrasive cleaning fluids or materials, or strong chemical cleaners as this will damage the product surface.