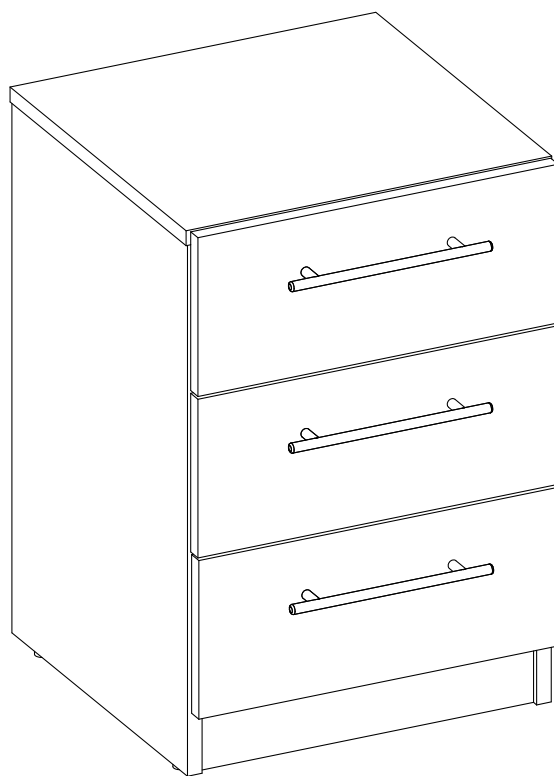
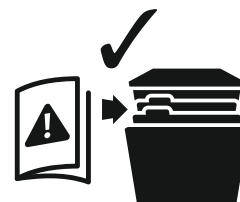
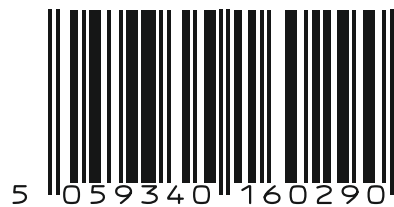


VINOVA



BQ-BF-15





Contents

02



Safety

05



Installation

21

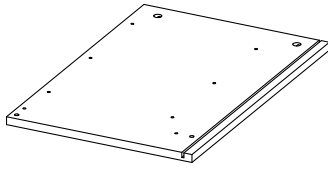
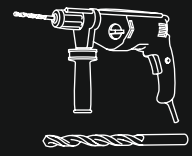
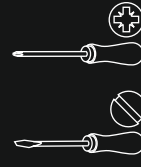
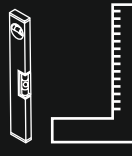
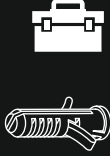
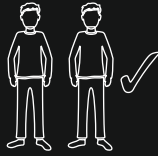


Care and Maintenance

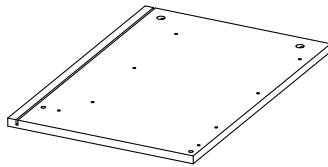
3



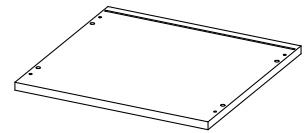
IMPORTANT - These instructions are for your safety. Please read through them thoroughly prior to installation and retain them for future



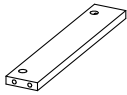
[01] x1



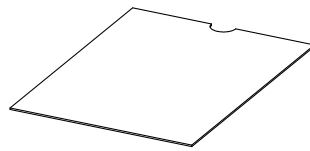
[02] x1



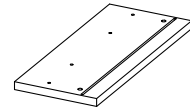
[03] x1



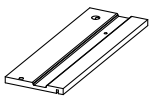
[04] x2



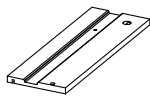
[05] x1



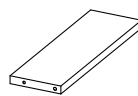
[06] x3



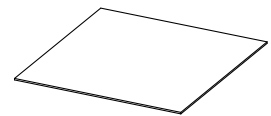
[07] x3



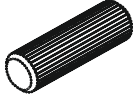
[08] x3



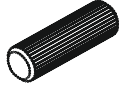
[09] x3



[10] x3



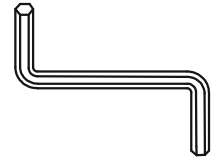
[11] x8  
Ø8x35 mm



[12] x6  
Ø6x30 mm



[13] x6  
Ø7x50 mm



[14] x1



[15] x8  
Ø15x12 mm



[16] x1  
Ø3,5x16 mm



[17] x12  
Ø6,3x13 mm



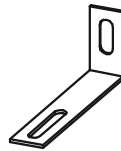
[18] x6  
M4x9 mm



[19] x3



[20] x4



[21] x1



[22] x3



[23] x6  
310 mm



[24] x15  
3x20 mm



[25] x14  
6x35 mm



[26] x6  
Ø15x9 mm



### EN Before you start

- Check the pack and make sure that you have all parts listed above. If not contact your local store who will be able to help you.
- When you are ready to start, make sure that you have the right tools on hand, plenty of space and a clean dry area for furniture assembly.
- Ensure there are no hidden service pipes and cables where you intend to drill.
- We do not recommend the use of power screwdrivers for the assembly of this product.
- Always ensure that screws locate exactly into pre-drilled pilot holes.
- Take care not to overtighten any of the screws.

**CAUTION: Screws and wall plugs not included, if you are unsure, take professional advice.**

### Safety

**IMPORTANT - RETAIN THIS INFORMATION FOR FUTURE REFERENCE: READ CAREFULLY.**

- For domestic use only.
- The maximum loads shown may be lower depending on wall condition.
- Installation must be carried out following the manufacturer's instructions exactly.

- Make sure that the wall mounting furniture is mounted on the wall in an adequate manner.

**WARNING: In order to prevent falling down this product must be used with the wall attachment device provided.**

**WARNING: Installation must be performed by a competent person only. This product could be dangerous, cause injury or damage to property if incorrectly installed.**

Some parts could be hazardous to small children.

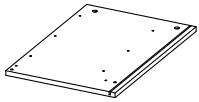
- Keep all parts out of reach and do not leave children unattended in the assembly area.
- Prevent children from climbing or hanging on the drawers, doors or shelves.
- If you are in any doubts as to how to install this product, consult a technically competent person.

**CAUTION: Always ensure the product is securely fitted before use.**

- Do not allow children to play with this product.



# 01



[01] x1



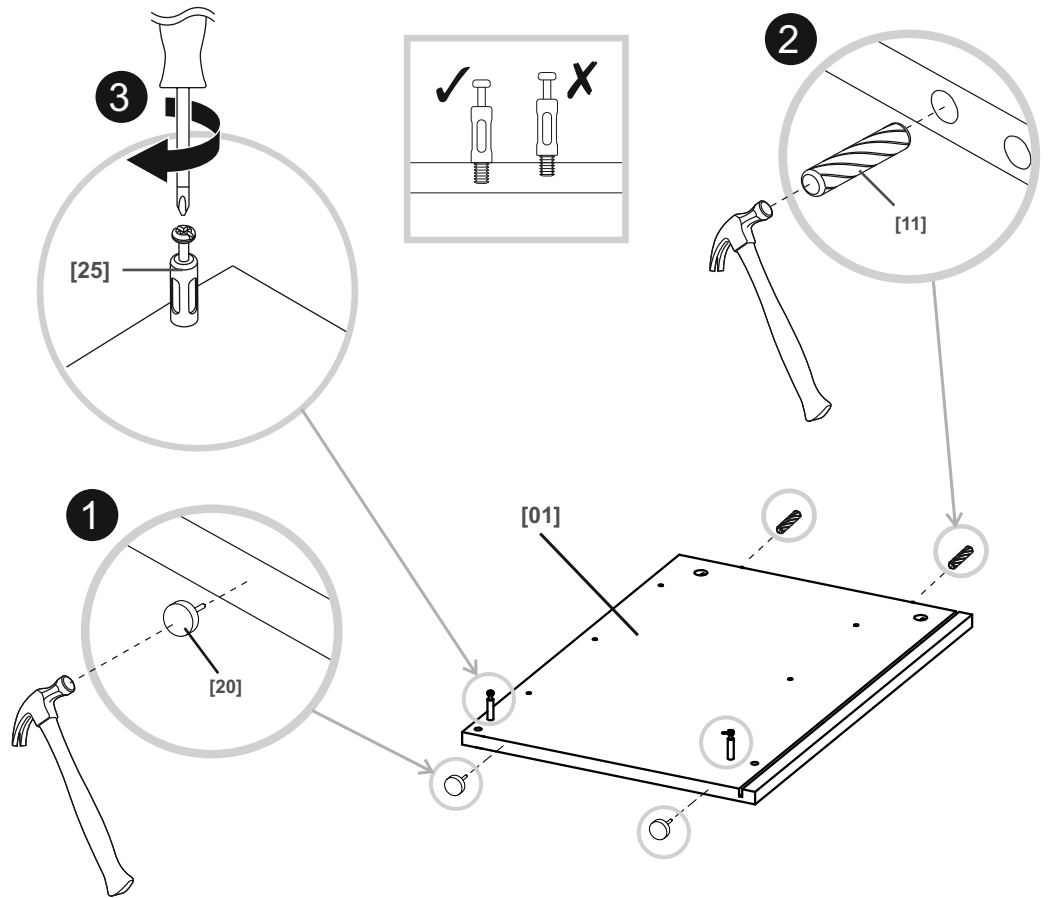
[20] x2



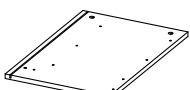
[25] x2  
6x35 mm



[11] x2  
Ø8x35 mm



# 02



[02] x1



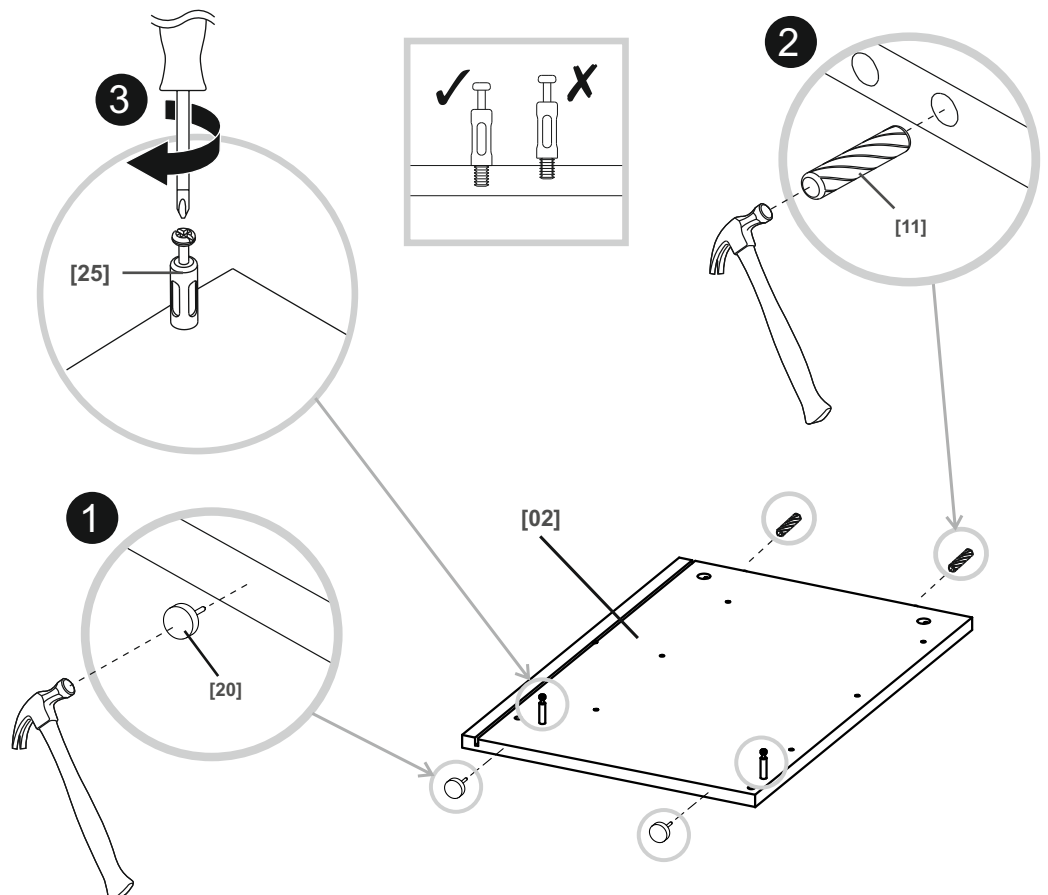
[20] x2



[25] x2  
6x35 mm

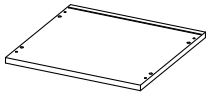


[11] x2  
Ø8x35 mm

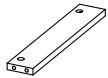




# 03



[03] x1



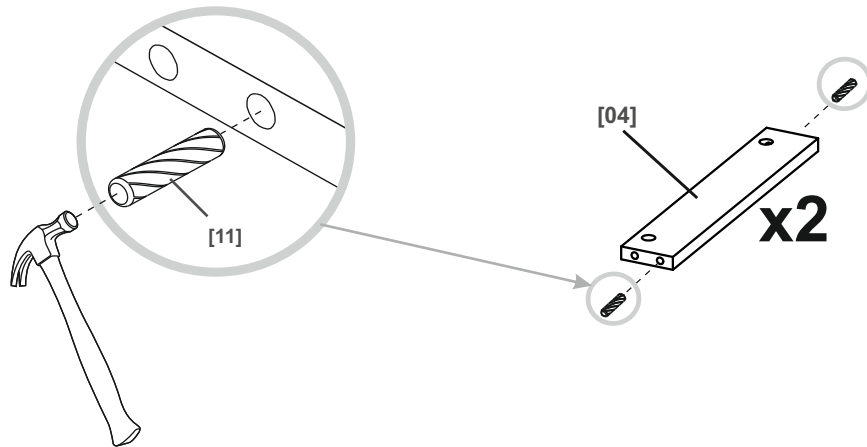
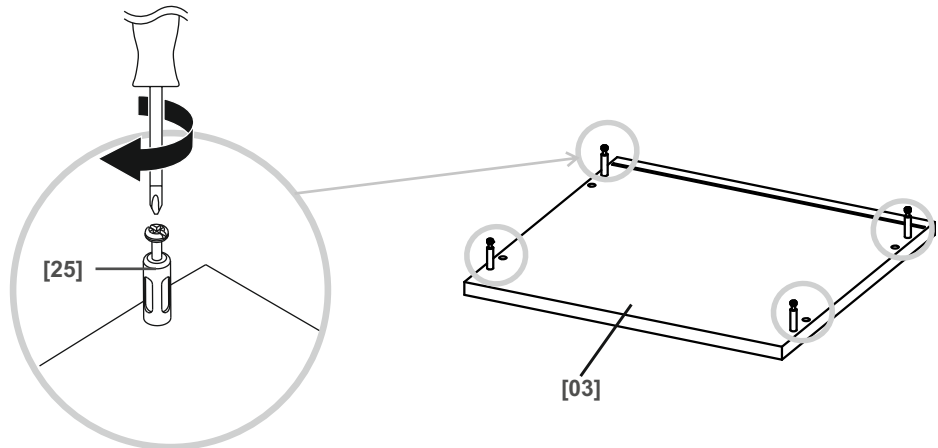
[04] x2



[25] x4  
6x35 mm



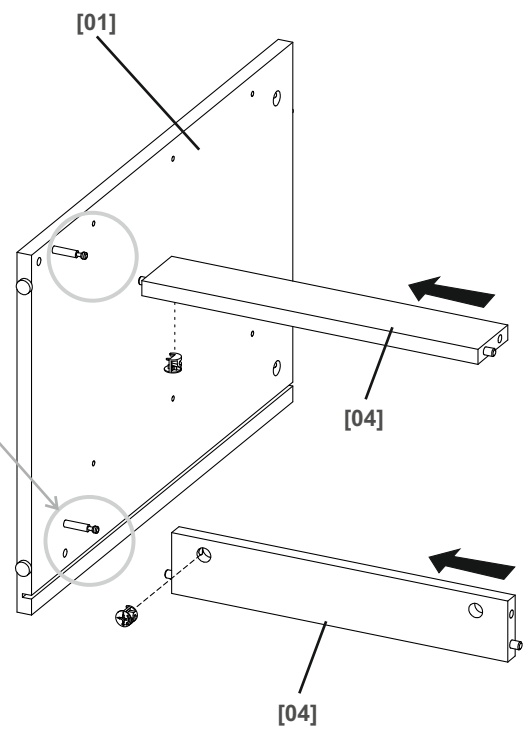
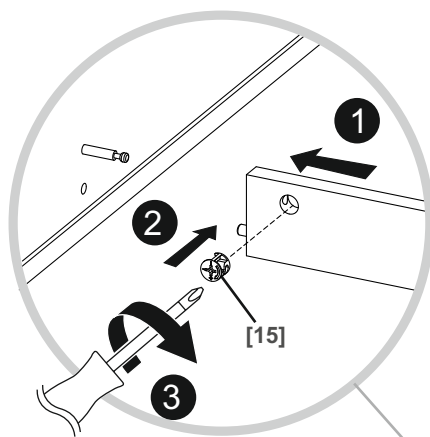
[11] x4  
Ø8x35 mm



# 04



[15] x2  
Ø15x12 mm

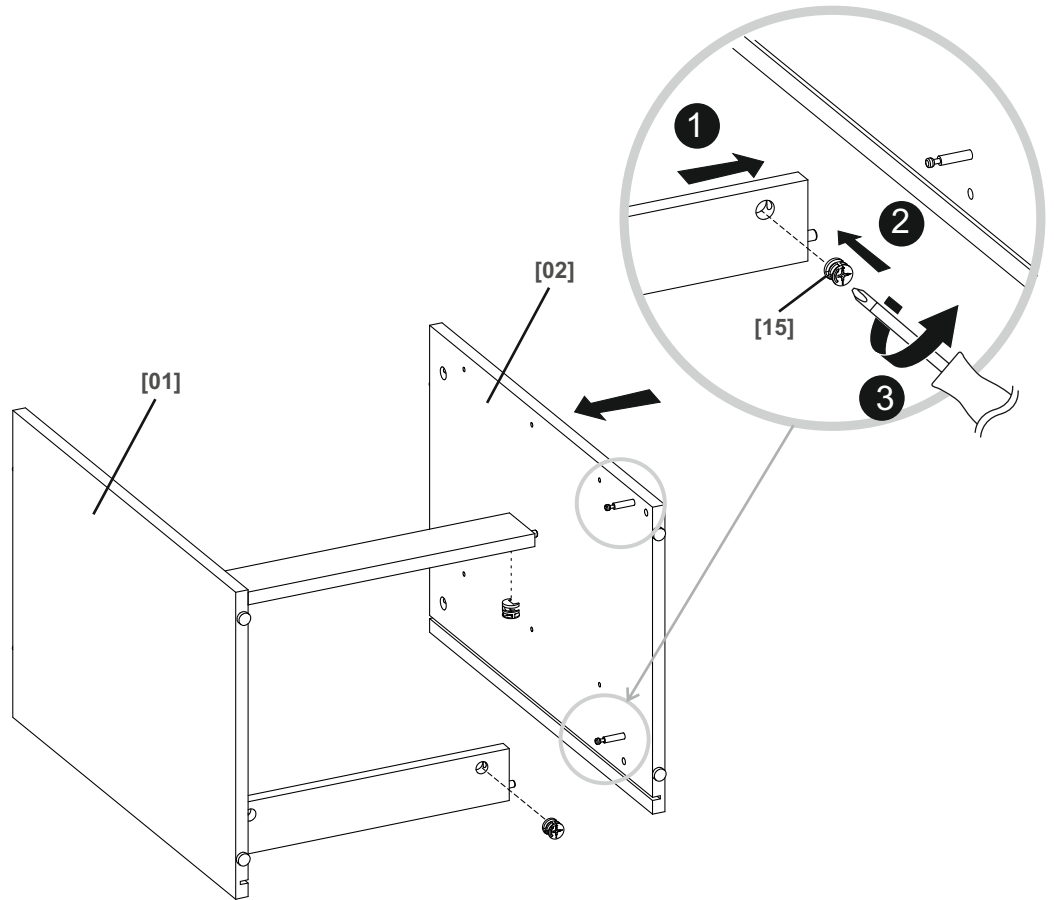




# 05



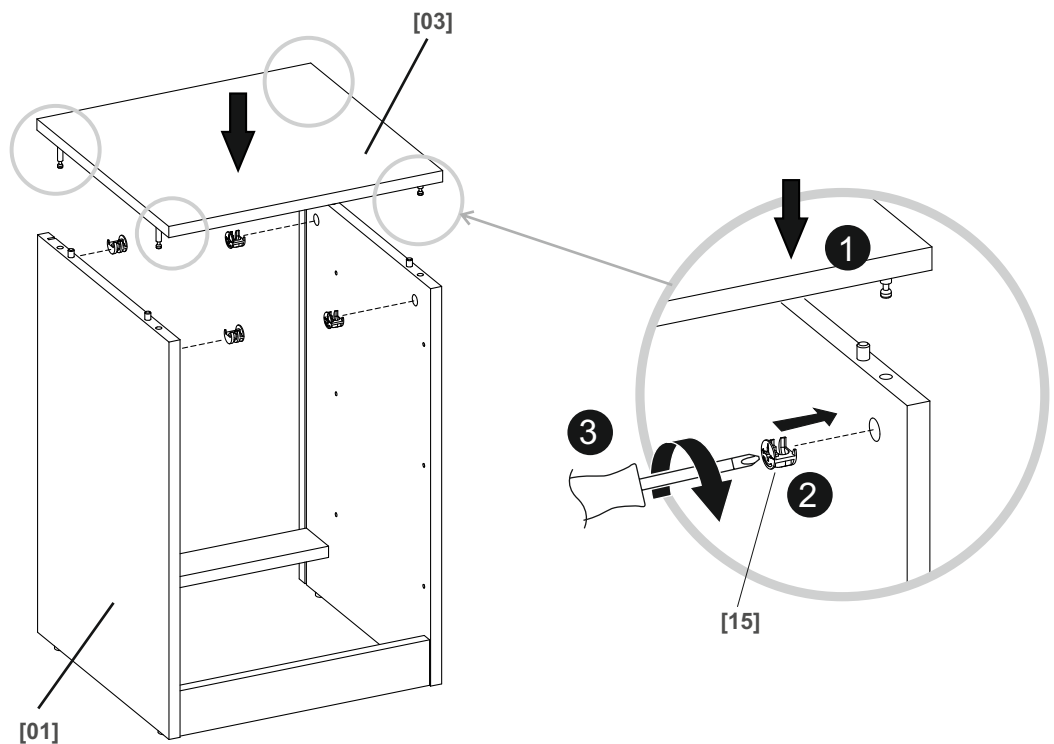
[15] x2  
Ø15x12 mm



# 06



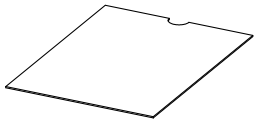
[15] x4  
Ø15x12 mm



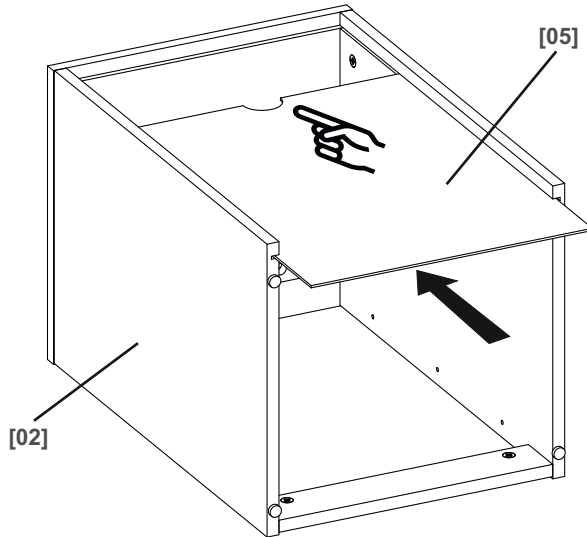




# 07



[05] x1



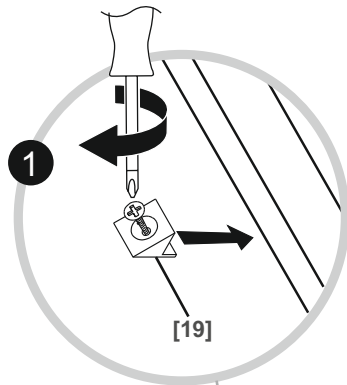
# 08



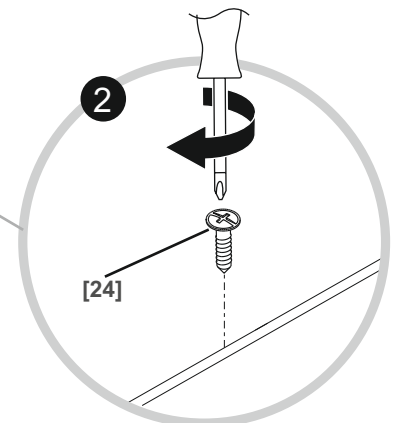
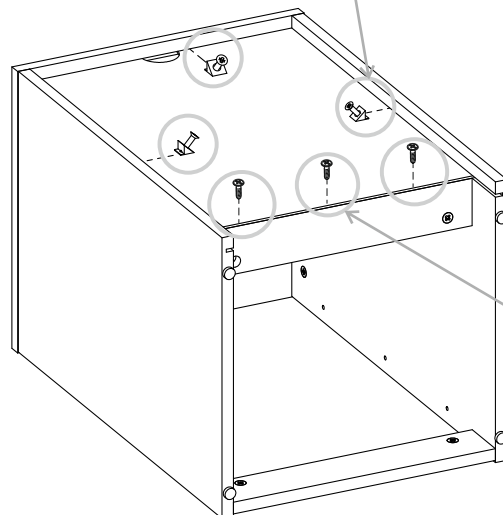
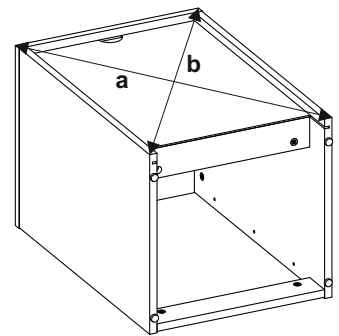
[19] x3



[24] x3  
3x20 mm



$a=b$





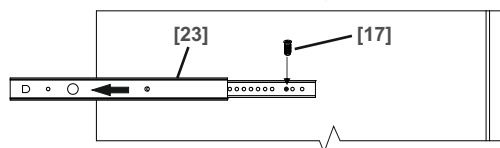
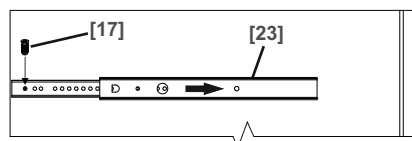
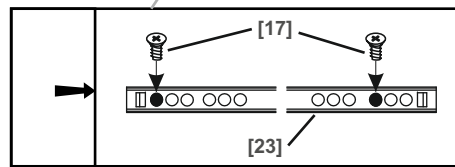
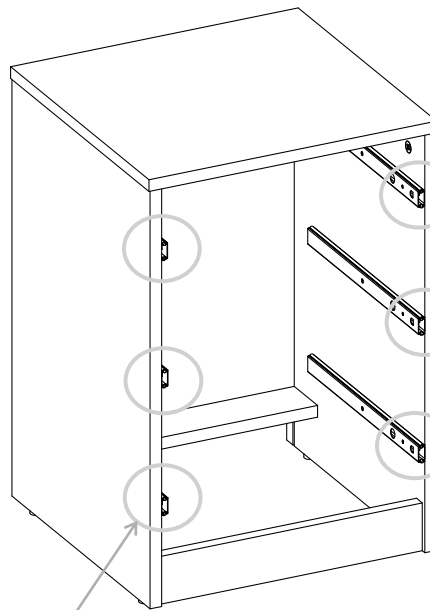
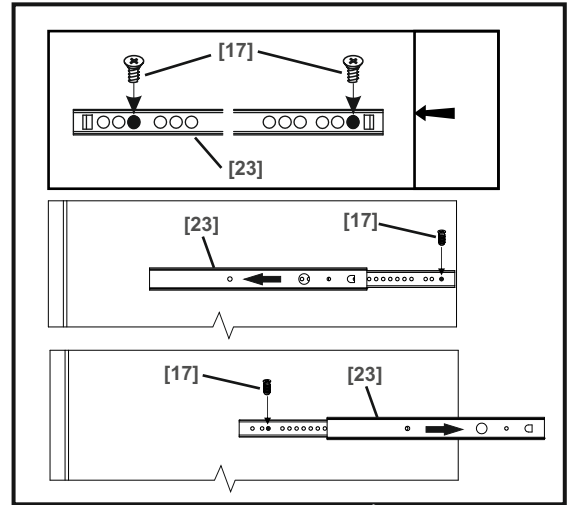
# 09



[23] x6  
310 mm

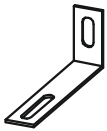


[17] x12  
Ø6,3x13 mm





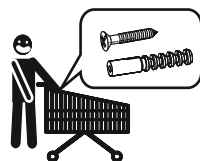
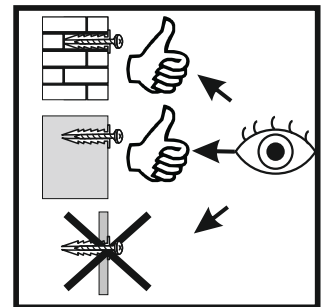
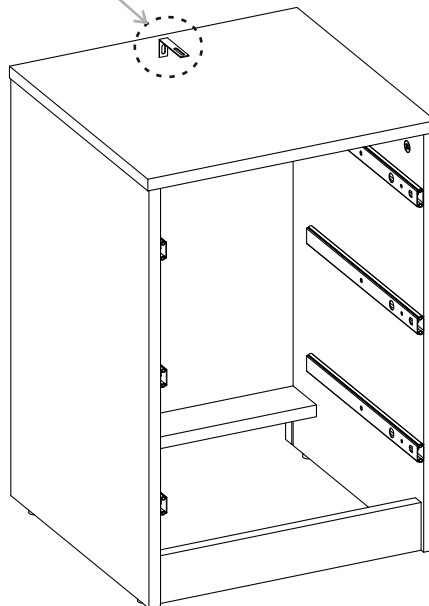
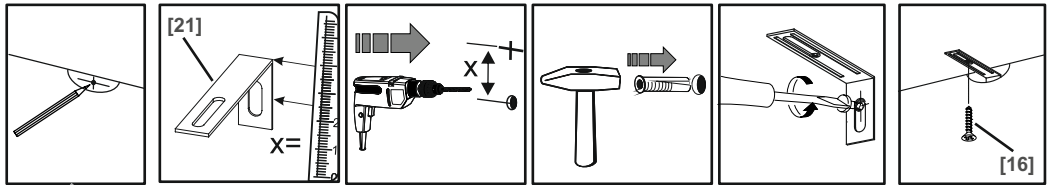
# 10



[21] x1



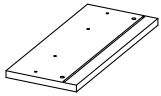
[16] x1  
Ø3,5x16 mm



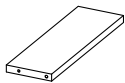
Attention: Screws and wall plugs not included, if you are unsure, take professional advice.



# 11



[06] x3



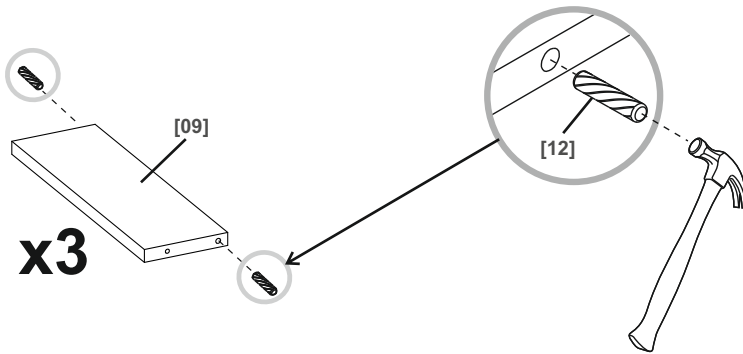
[09] x3



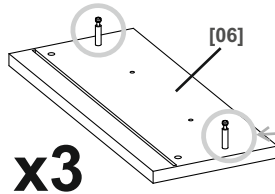
[12] x6  
Ø6x30 mm



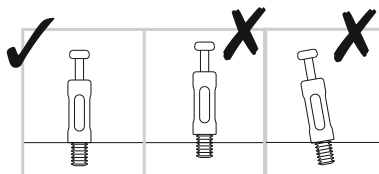
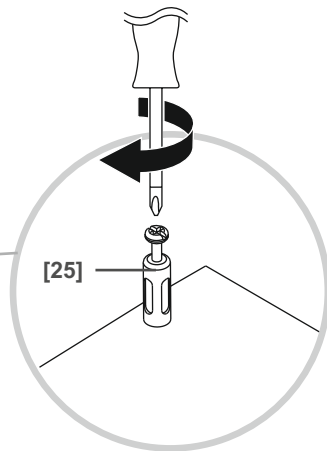
[25] x6  
6x35 mm



x3



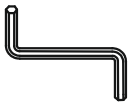
x3



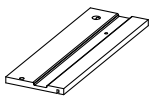
# 12



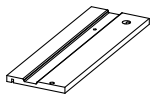
[13] x6  
Ø7x50 mm



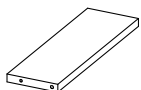
[14] x1



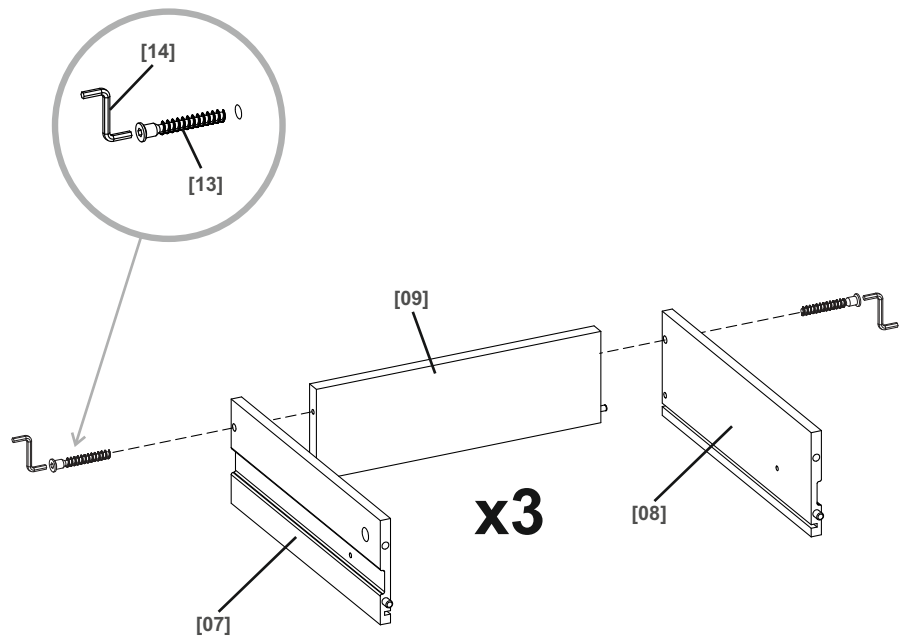
[07] x3



[08] x3



[09] x3



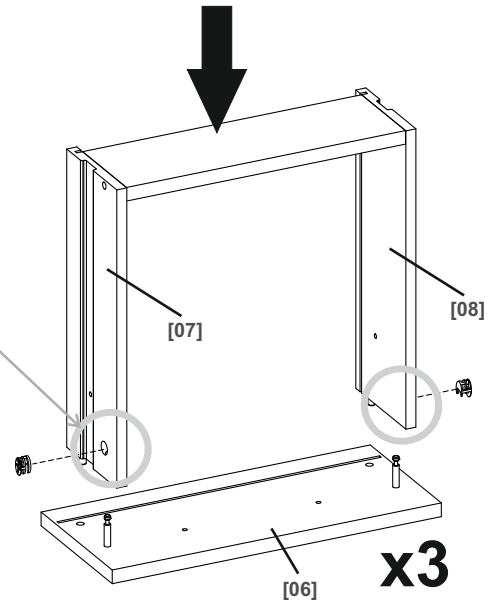
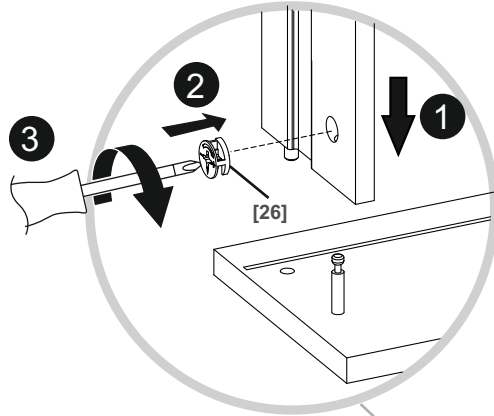
x3



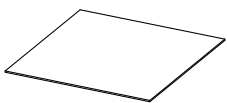
# 13



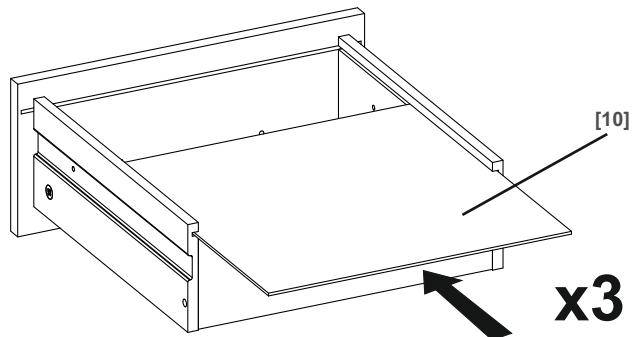
[26] x6  
Ø15x9 mm



# 14



[10] x3

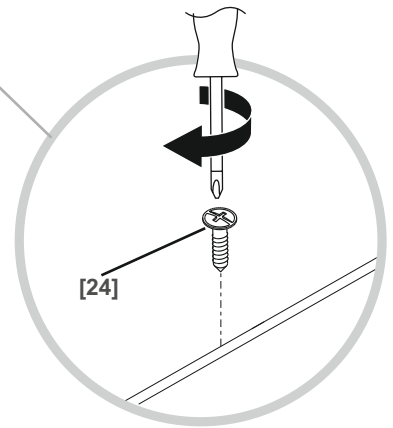
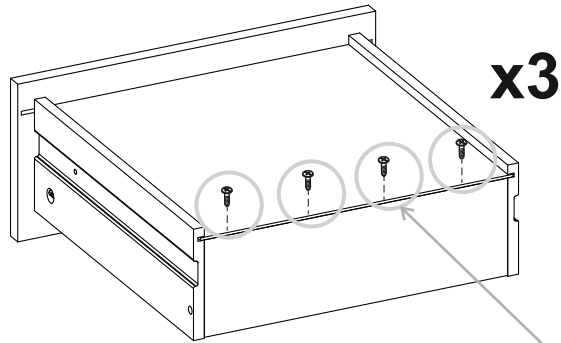




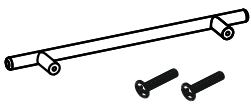
# 15



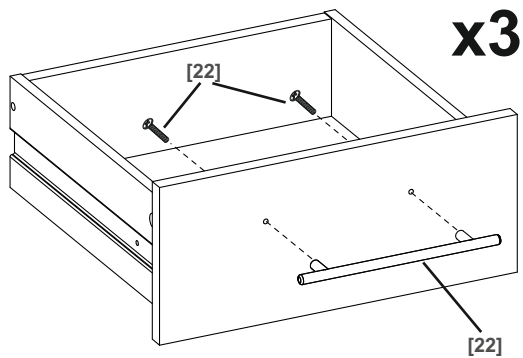
[24] x12  
3x20 mm



# 16



[22] x3

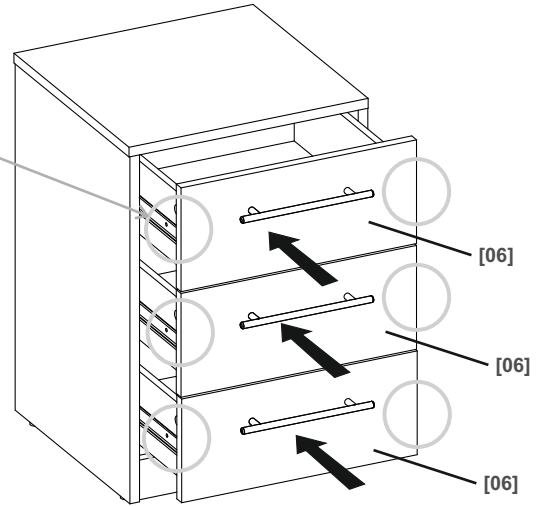
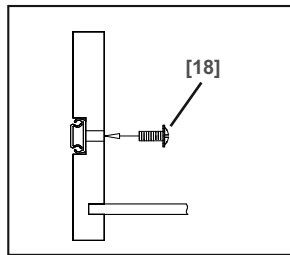
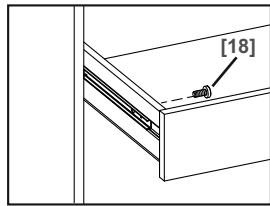
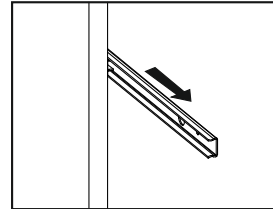




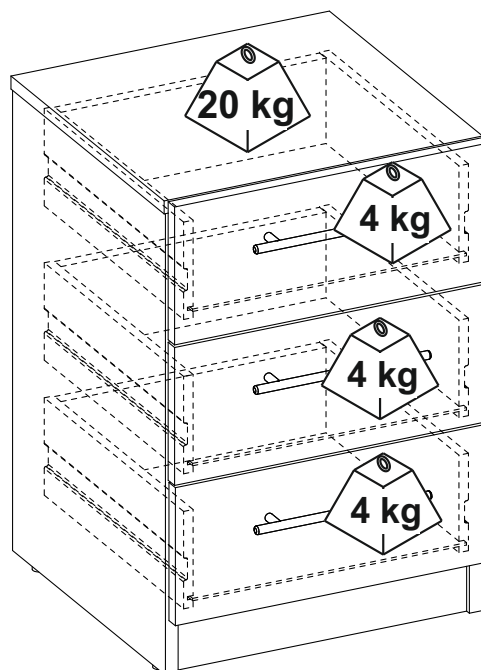
# 17



[18] x6  
M4x9 mm



# 18





---

## Rules for care

---

Use a soft dry cloth to clean the surface of your furniture.

Do not leave any standing water on your furniture. Immediately wipe up any spills or splashes.

Never use any solvents, scourers, abrasives, bleach, acids, strong detergents, aggressive chemical cleaners or solvent-type cleaning solutions on the product.

---

## Regular Checking

---

Check to ensure that all components and fixings of this product are secure, do not use if you have any doubts about its fitness for purpose.

---



**Manufacturer • Fabricant • Producent •****Producător • Fabricante:****UK Manufacturer:**

Kingfisher International Products Limited,  
3 Sheldon Square, London, W2 6PX,  
United Kingdom

**EU Manufacturer:**

Kingfisher International Products B.V.  
Rapenburgerstraat 175E  
1011 VM Amsterdam  
The Netherlands  
[www.kingfisher.com/products](http://www.kingfisher.com/products)

**EN** [www.diy.com](http://www.diy.com)

[www.diy.com/diy/ireland](http://www.diy.com/diy/ireland)

**To view instruction manuals online,  
visit [www.kingfisher.com/products](http://www.kingfisher.com/products)**

**FR** [www.castorama.fr](http://www.castorama.fr)  
[www.bricodepot.fr](http://www.bricodepot.fr)

**Pour consulter les manuels d'instructions  
en ligne, rendez-vous sur le site  
[www.kingfisher.com/products](http://www.kingfisher.com/products)**

**PL** [www.castorama.pl](http://www.castorama.pl)

**Aby zapoznać się z instrukcją obsługi online,  
odwiedź stronę [www.kingfisher.com/products](http://www.kingfisher.com/products)**

**RO** [www.bricodepot.ro](http://www.bricodepot.ro)

**Pentru a consulta manualele de instrucțiuni  
online, vizitați [www.kingfisher.com/products](http://www.kingfisher.com/products)**

**ES** [www.bricodepot.es](http://www.bricodepot.es)

**Para consultar los manuales de instrucciones  
en línea, visite [www.kingfisher.com/products](http://www.kingfisher.com/products)**

**PT** [www.bricodepot.pt](http://www.bricodepot.pt)

**Para consultar manuais de instruções online,  
visite [www.kingfisher.com/products](http://www.kingfisher.com/products)**

**TR İthalatçı Firma:**

KOÇTAŞ YAPI MARKETLERİ TİC. A.Ş.

Taşdelen Mah. Sırrı Çelik Bulvarı No:5

34788 Taşdelen/Çekmeköy/İSTANBUL

Tel: +90 216 4300300

Faks: +90 216 4844313

[www.koctas.com.tr](http://www.koctas.com.tr)

**Kullanım kılavuzuna internet üzerinden ulaşmak  
için [www.kingfisher.com/products](http://www.kingfisher.com/products) adresini  
ziyaret edin**

Yetkili servis istasyonları ve yedek parça temini  
için aşağıda yer alan Koçtaş Müşteri Hattı ve  
Koçtaş Genel Müdürlük irtibat bilgilerinden  
faydalanınız.

KOÇTAŞ MÜŞTERİ HİZMETLERİ

0850 209 50 50