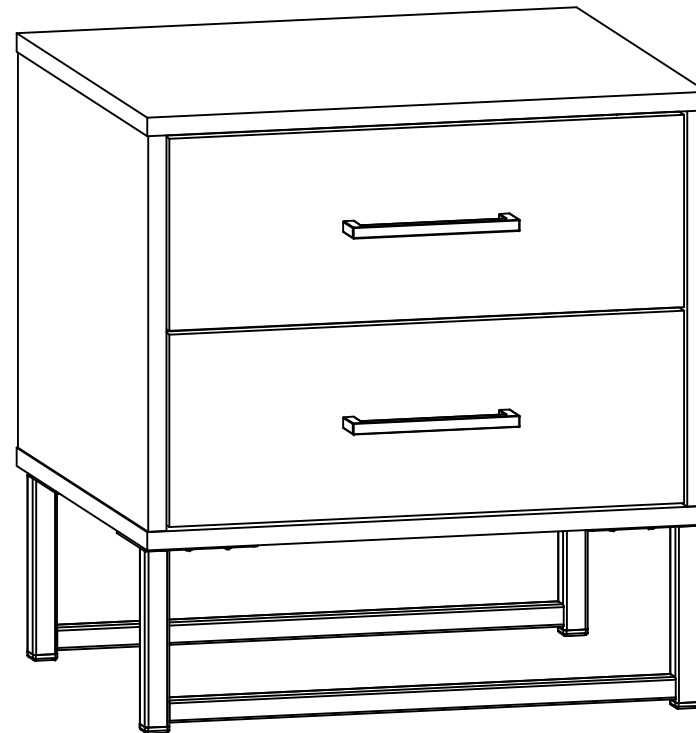
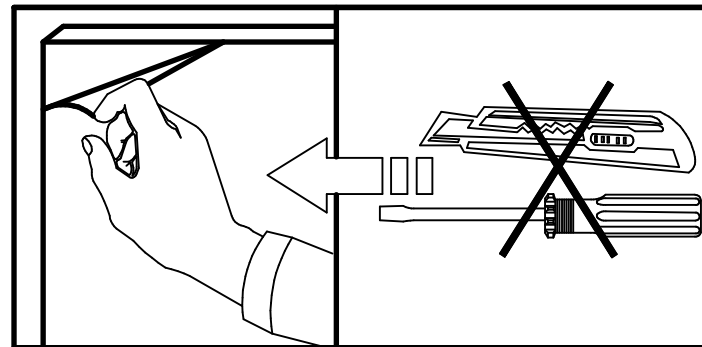
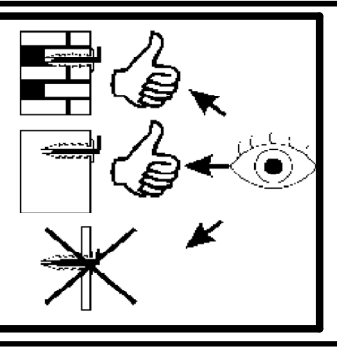
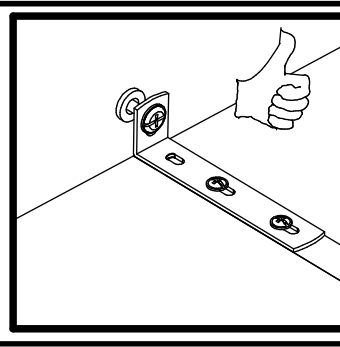
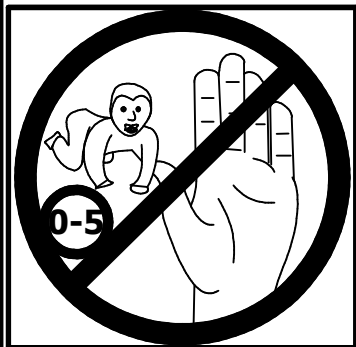
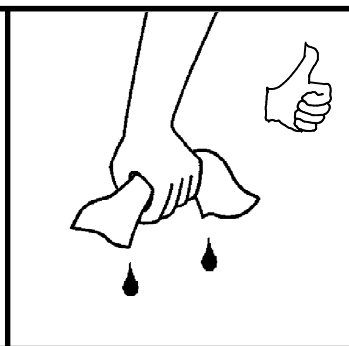
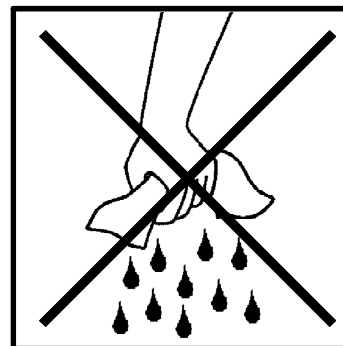
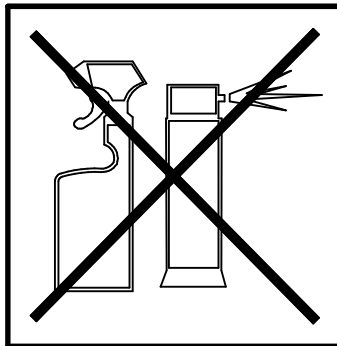
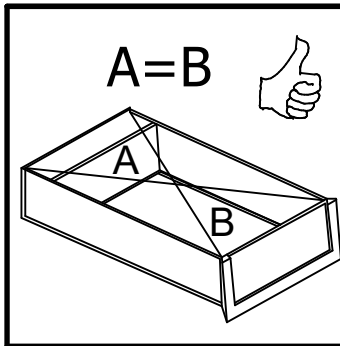
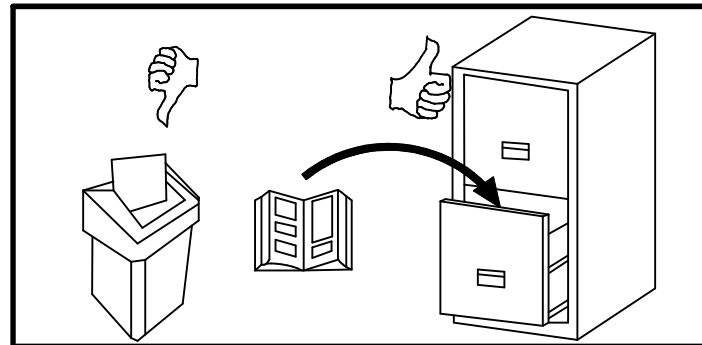
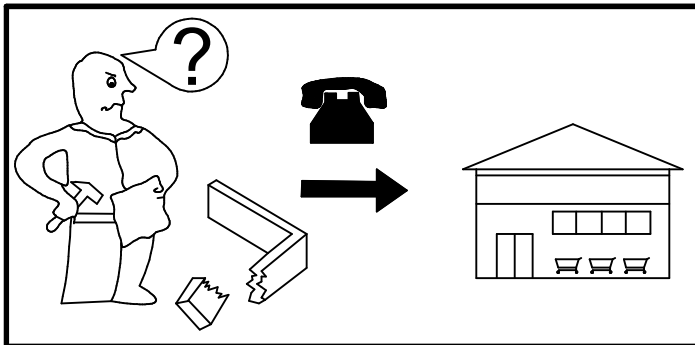
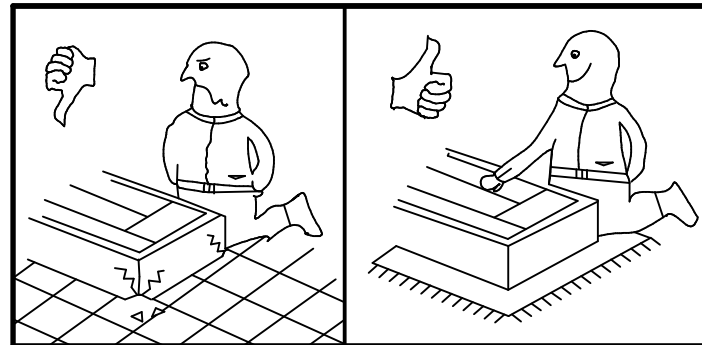
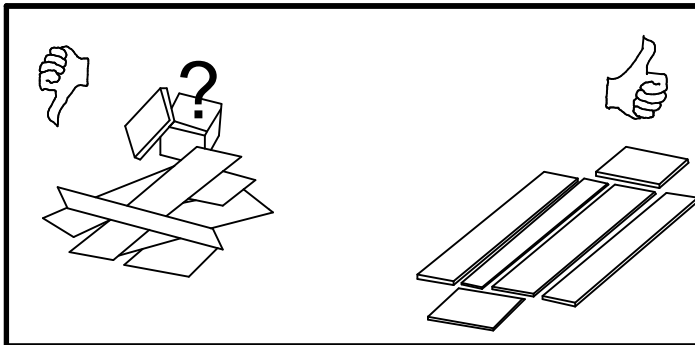
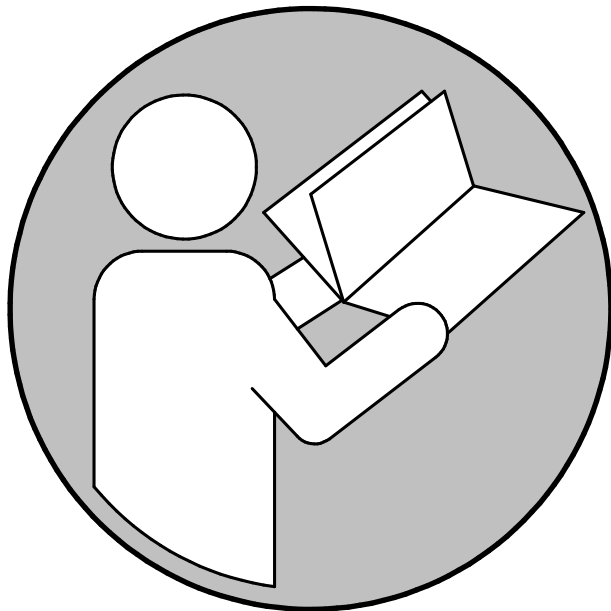


# Zorras

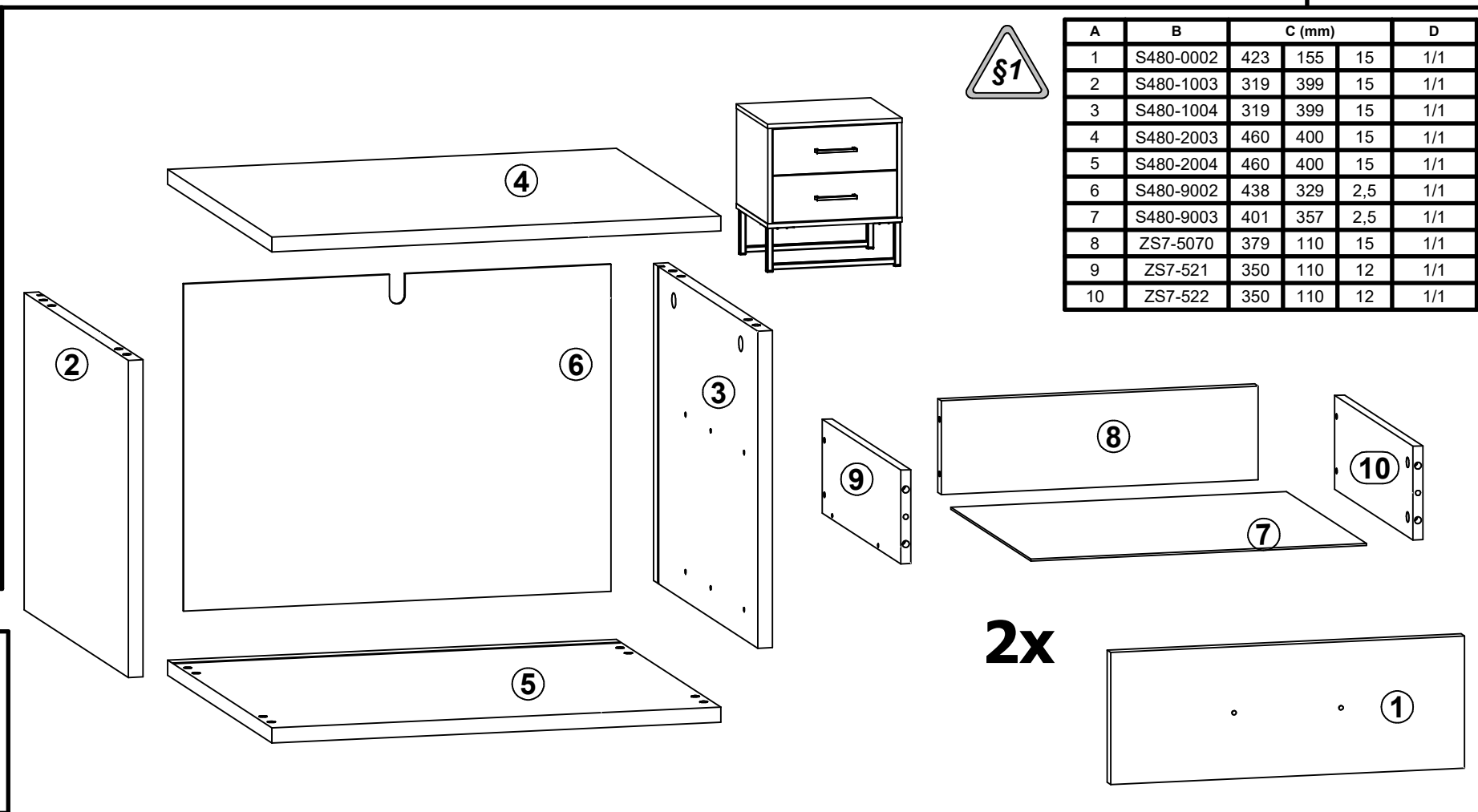
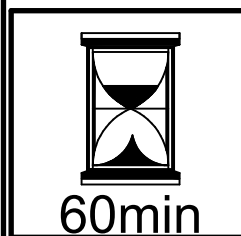
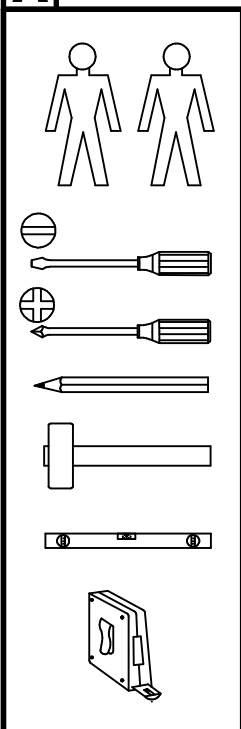
Industrial 2 drawer bedside table



**5059340160344**



# A S480-KOM2S

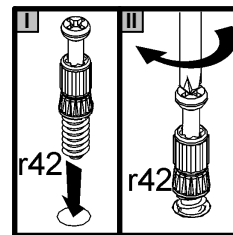
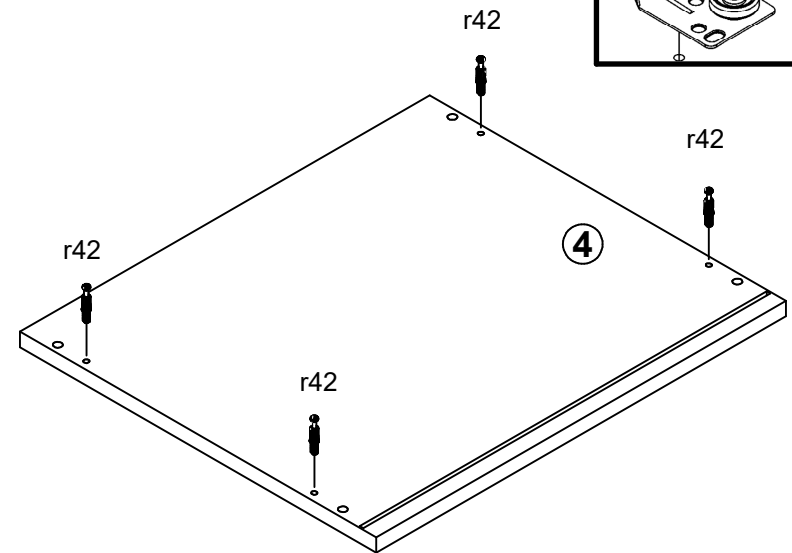
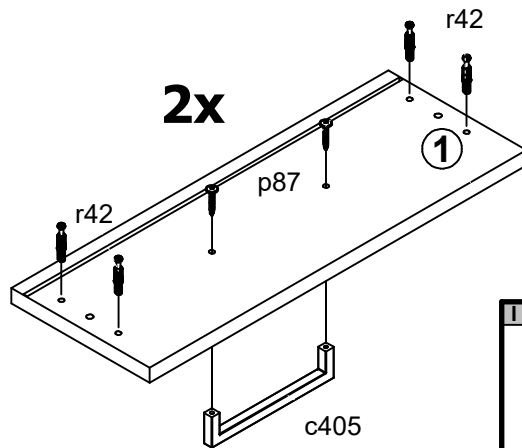
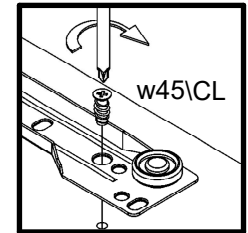
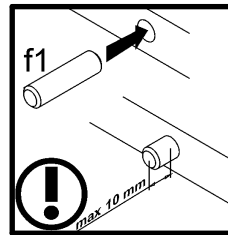
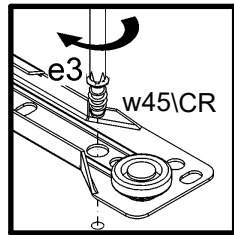
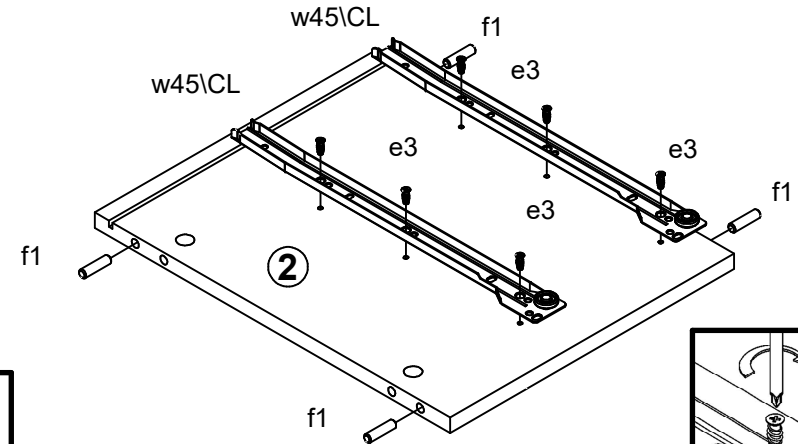
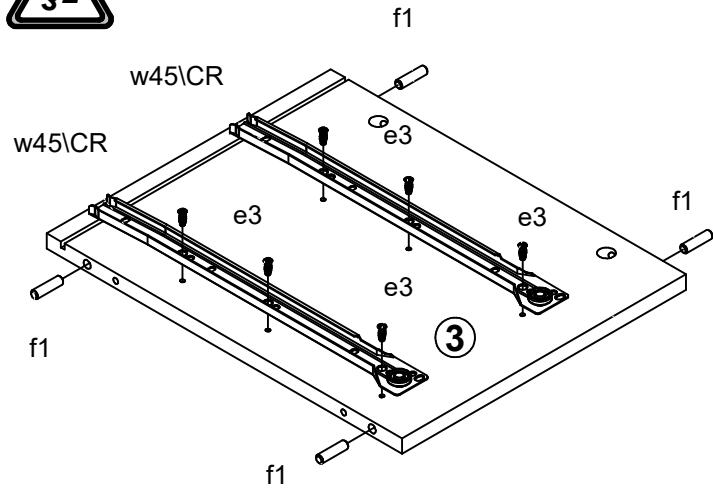


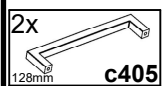
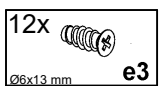
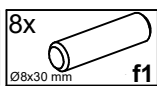
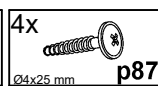
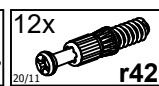


A	B	C (mm)			D
1	S480-0002	423	155	15	1/1
2	S480-1003	319	399	15	1/1
3	S480-1004	319	399	15	1/1
4	S480-2003	460	400	15	1/1
5	S480-2004	460	400	15	1/1
6	S480-9002	438	329	2,5	1/1
7	S480-9003	401	357	2,5	1/1
8	ZS7-5070	379	110	15	1/1
9	ZS7-521	350	110	12	1/1
10	ZS7-522	350	110	12	1/1



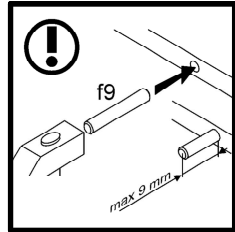
2x 128mm c405	4x Ø7x50 mm e1	8x Ø5x9 mm e19	12x Ø6x13 mm e3	16x Ø6,3x13 mm e2	8x Ø8x30 mm f1	8x Ø6,5x40 mm f25	1x Ø10x50 mm f35	4x Ø6x30 mm f9	12x M5x12 mm j173	4x k133i2	4x k133i3	4x 20x20 k133i5
2x L-416mm 18x18 k133i7	4x l2	1x 86x21x15/1,5 n14i2	1x Ø5x60 mm p17	8x Ø3,5x16 mm p38	4x Ø4x25 mm p87	4x Ø15x12 mm #16 r1	8x Ø12x10,5 mm #12 r15	12x 20/11 r42	2x 350 mm w45iCL	2x 350 mm w45iCR	2x 350 mm w45iDL	2x 350 mm w45iDR
1x 4 mm z1	1x 3 mm z22											

**1** 

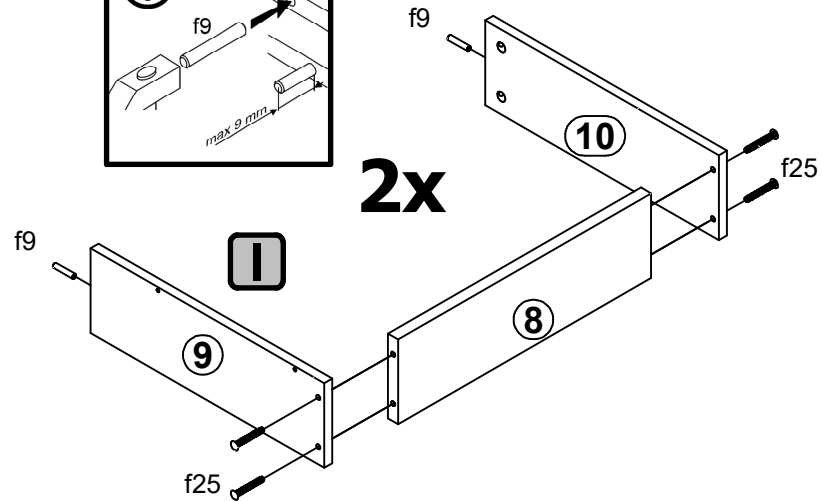


- |   |   |  |   |  |   |  |
|---|---|--|---|--|---|--|
|  2x <b>c405</b> |  12x <b>e3</b> |  8x <b>f1</b> |  4x <b>p87</b> |  12x <b>r42</b> |  2x <b>w45\CL</b> |  2x <b>w45\CR</b> |
|---|---|--|---|--|---|--|

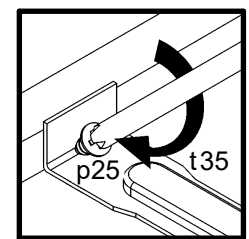
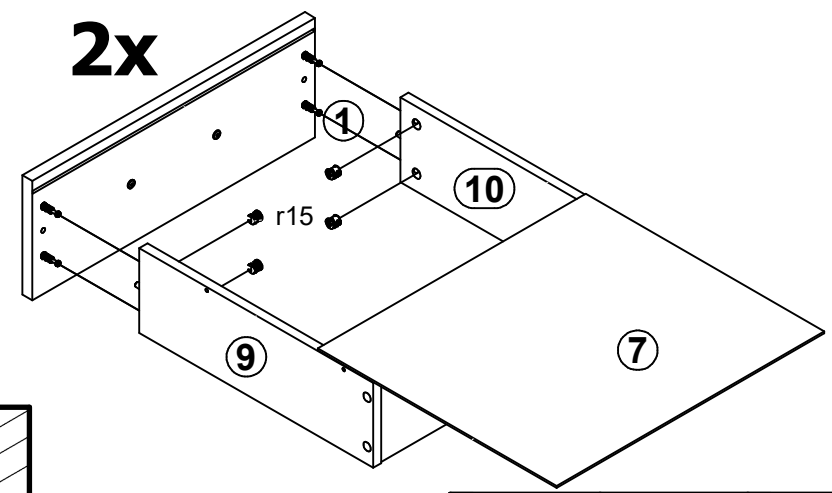
2



2x

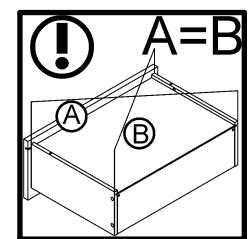
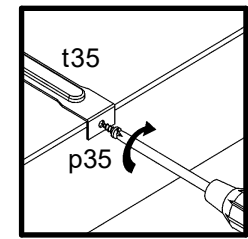
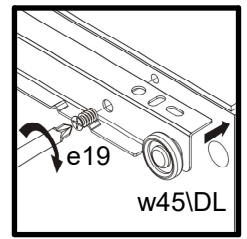
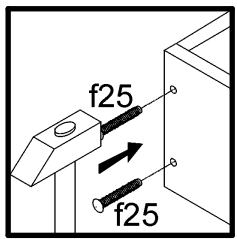
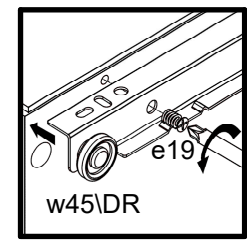
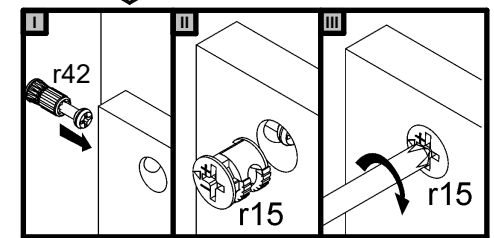
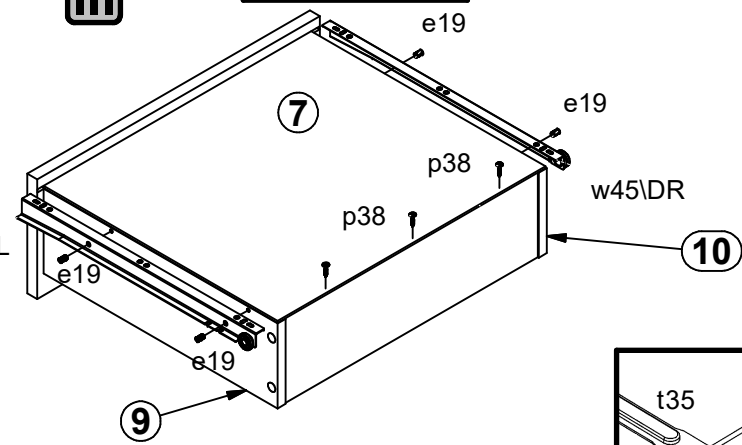


II 2x



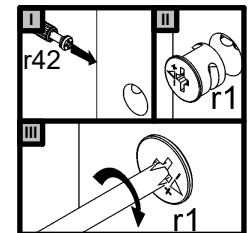
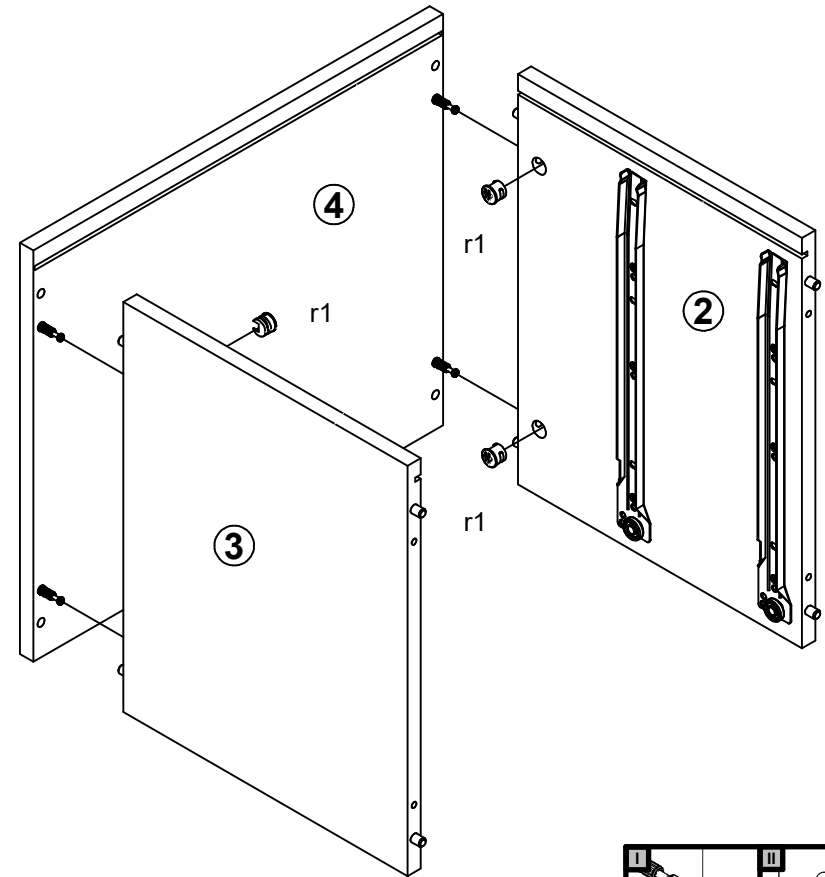
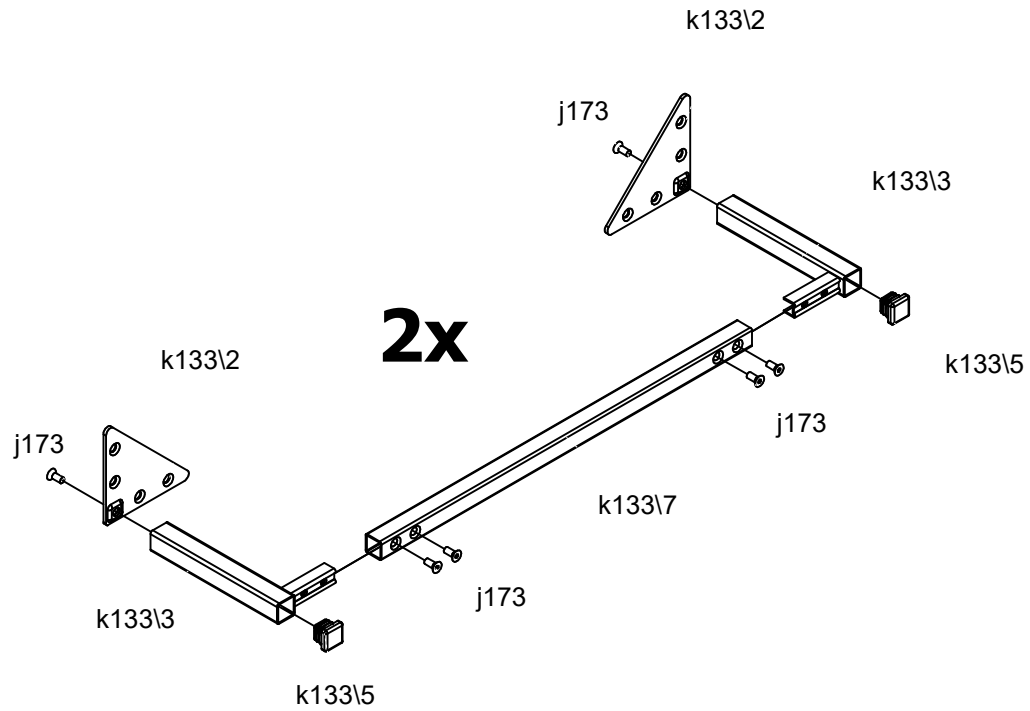
III

2x



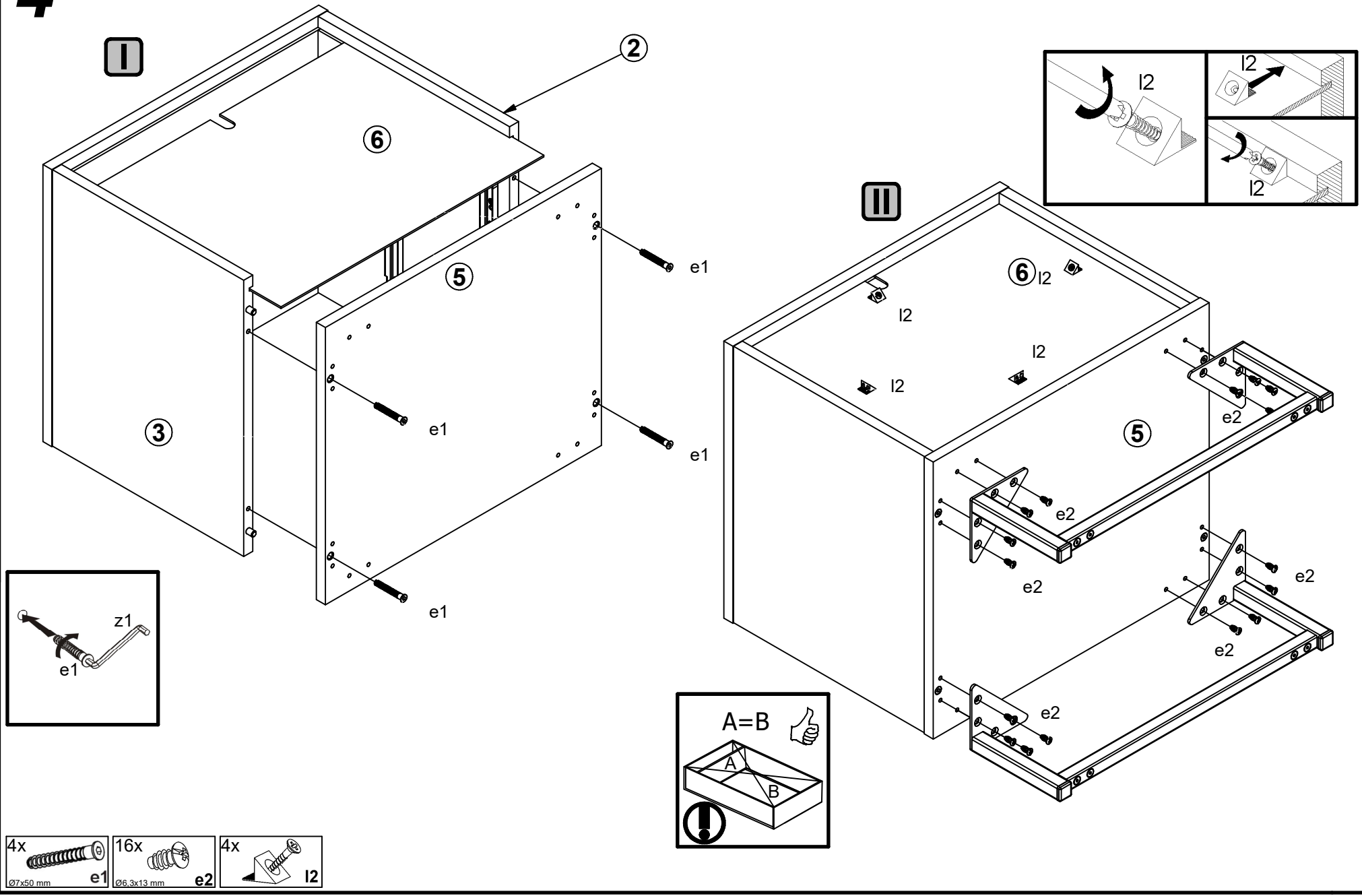
- 8x e19  $\varnothing 5 \times 9 \text{ mm}$
- 4x f9  $\varnothing 6 \times 30 \text{ mm}$
- 8x f25  $\varnothing 6.5 \times 40 \text{ mm}$
- 6x p38  $\varnothing 3.5 \times 16 \text{ mm}$
- 8x r15  $\varnothing 12 \times 10.5 \text{ mm} \#12$
- 2x w45\DL 350 mm
- 2x w45\DR 350 mm

# 3

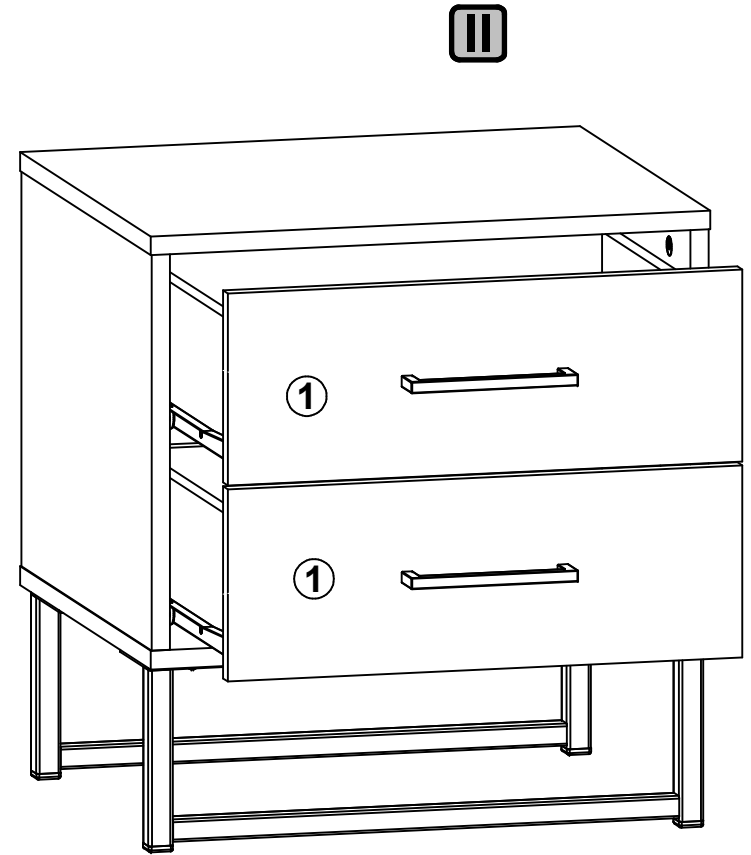
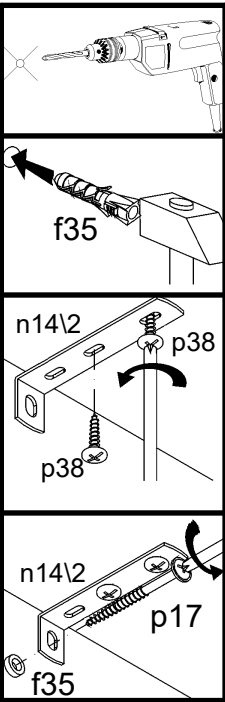
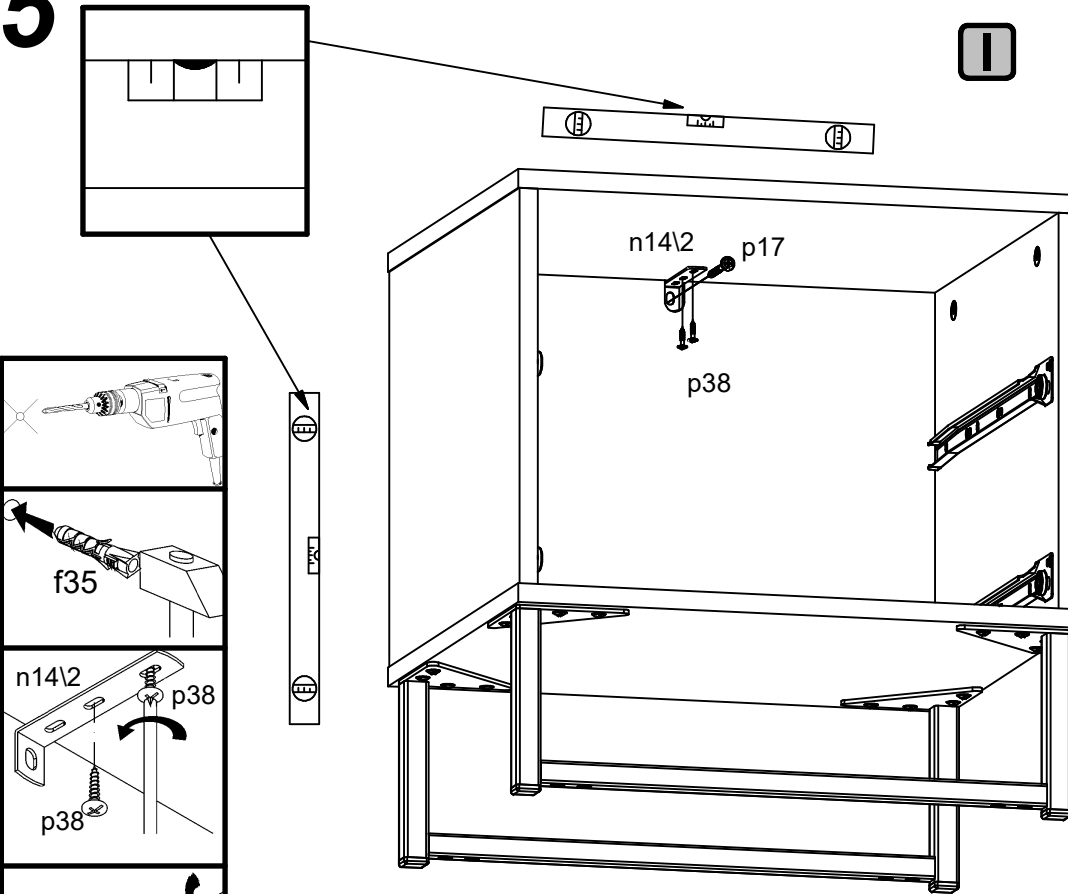




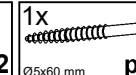
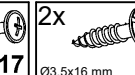
- |                         |              |              |                       |                                  |          |
|-------------------------|--------------|--------------|-----------------------|----------------------------------|----------|
| 12x<br>M5x12 mm<br>j173 | 4x<br>k133\2 | 4x<br>k133\3 | 4x<br>20x20<br>k133\5 | 2x<br>L-416mm<br>18x18<br>k133\7 | 4x<br>r1 |
|-------------------------|--------------|--------------|-----------------------|----------------------------------|----------|

4



5



- 1x  f35
- 1x  n14\2
- 1x  p17
- 2x  p38



## EN Before you start

Check the pack and make sure that you have all parts listed above. If not contact by our local store who will be able to help you.

When you are ready to start, make sure that you have the right tools on hands, plenty of space and a clean dry area for furniture assembly.

Ensure there are no hidden service pipes and cables where you intended to drill.

We do not recommend the use of power screwdrivers for the assembly of this product.

Always ensure that screws locate exactly into pre-drilled pilot holes.

Take care not to overtighten any of the screws.

**CAUTION: Screws and wall plugs not included, if you are unsure, take professional advice.**

## Safety

**IMPORTANT - RETAIN THIS INFORMATION FOR FUTURE REFERENCE: READ CAREFULLY.**

For domestic use only.

The maximum loads shown may be lower depending on wall condition.

Installation must be carried out following the manufacturer's instructions exactly.

Make sure that the wall mounting furniture is mounted on the wall in an adequate manner.

**WARNING: In order to prevent falling down this product must be used with the wall attachment device provided.**

**WARNING: Installation must be performed by a competent person only. This product could be dangerous, cause injury or damage to property if incorrectly installed.**

Some parts could be hazardous to small children.

Keep all parts out of reach and do not leave children unattended in the assembly area.

Prevent children from climbing or hanging on the drawers, doors or shelves.

If you are in any doubts as to how to install this product, consult a technically competent person.

**CAUTION: Always ensure the product is securely fitted before use.**

Do not let children play with this product.

## Guarantee

We take special care to select high quality materials and use manufacturing techniques that allow us to create products incorporating design and durability. This product has a manufacturer's guarantee of 1 year against manufacturing defects, from the date of purchase (if bought in store) or date of delivery (if bought online), at no additional cost for normal (non-professional or commercial) household use.

To make a claim under this guarantee, you must present your proof of purchase (such as a sales receipt, purchase invoice or other evidence admissible under applicable law), please keep your proof of purchase in a safe place. For this guarantee to apply, the product you purchased must be new, it will not apply to second hand or display products. Unless stated otherwise by applicable law, any replacement product issued under this guarantee will only be guaranteed until expiry of the original guarantee period.

This guarantee covers product failures and malfunctions provided the product was used for the purpose for which it is intended and subject to installation, cleaning, care and maintenance in accordance with the information contained in these terms and conditions, in the user manual and standard practice, provided that standard practice does not conflict with the user manual.

This guarantee does not cover defects and damage caused by normal wear and tear or damage that could be the result of improper use, faulty installation or assembly, neglect, accident, misuse, or modification of the product. Unless stated otherwise by applicable law, this guarantee will not cover, in any case, ancillary costs (shipping, movement, costs of uninstalling and reinstalling, labour etc), or direct and indirect damage.

If the product is defective, we will, within a reasonable time, provide spare parts, or proceed with a partial or complete replacement.

Rights under this guarantee are enforceable in the country in which you purchased this product. Guarantee related queries should be addressed to the store you purchased this product from.

The guarantee is in addition to and does not affect your statutory rights.

Rights under this guarantee are enforceable in the country in which you purchased this product. Guarantee related queries should be addressed to the store you purchased this product from.

The guarantee is in addition to and does not affect your statutory rights.