



INSTRUCTION MANUAL

HAND PUSH 30CM (12") CYLINDER MOWER

Model No: THHM -- Product No: 193875002

ASSEMBLY REQUIRED

SAVE THESE INSTRUCTIONS

SPARES & SUPPORT: 01793 333212

IMPORTANT

Please read & understand this manual, paying attention to the safety instructions, before use.
The manufacturer reserves the right to change the product specification and livery according to
continued product improvements.

Images used are for illustration purposes only

CONTENTS

SPECIFICATION

IMPORTANT INFORMATION

GENERAL SAFETY INSTRUCTIONS

COMPONENTS

ASSEMBLY

OPERATION

MAINTENANCE & STORAGE

TROUBLE SHOOTING

PARTS DIAGRAM & LIST

WARRANTY

EC DECLARATION OF CONFORMITY

ASSEMBLY IS REQUIRED

This product requires assembly before use. See the "Assembly" section for instructions. Please check that all parts required for the assembly of this spreader are included. If for any reason you believe a part for the assembly is missing or damaged, please contact us.

If you require any assistance with regards to the contents or operation of your machine, please contact us:

TEL: 01793 333212

**EMAIL: customerservice@handydistribution.co.uk
(MON – FRI 8.00AM TO 5.30PM EXCL. BANK HOLIDAYS)**

SPECIFICATION

The manufacturer reserves the right to change the product specification and livery according to continued product improvements.

Model	THHM
Product Number	193875002
Cylinder Blade Width	310mm
Number of Blades	5
Height of Cut	15-45mm
Collector Capacity	18 litres
Weight	N.W 7.5kg – G.W 8.8kg

IMPORTANT INFORMATION

INTENDED USE






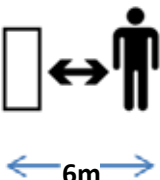
The product is intended for domestic gardens. This product is not intended for commercial use. The product has been designed to be used on domestic lawns and due to the nature of the cylinder, ideally a flat surface with minimal undulations. Generally acknowledged accident prevention regulations and enclosed safety instructions must be observed. Only perform work described in these instructions for use, any other use is incorrect. The manufacturer will not assume responsibility for damage resulting from such use.

GENERAL SAFETY INSTRUCTIONS

Read and understand the owner’s manual and labels affixed to the product. Learn its application and limitations as well as the specific potential hazards. Retain these instructions for future reference. The operator is responsible for following the warnings & instructions in this manual and on the product.

SAFETY INSTRUCTIONS

Read and understand the owner’s manual and labels affixed to the machine. Learn its application and limitations as well as the specific potential hazards. Retain these instructions for future reference. The operator is responsible for following the warnings & instructions in this manual and on the product.

 <p>WARNING Read & understand operator's manual before using this machine. Failure to follow operating instructions could result in death or serious injury.</p>	<p>Read & understand operator’s manual before using the machine. Failure to follow instructions could result in death or serious injury.</p>		<p>DANGER</p>
	<p>Always wear gloves to protect your hands when unpackaging the machine or working with the cutting cylinder. SHARP ROTATING BLADES</p>		<p>Wear foot protection or sensible shoes when using the lawnmower</p>
	<p>Keep hands out of the way of all moving parts.</p>		<p>Keep all bystanders & animals at least 6 metres away from the machine during operation. If approached, stop the machine immediately.</p>



Safety alert symbol. Used to alert you to potential personal injury hazards. Obey all safety messages that follow this symbol to avoid possible injury.



DANGER

Indicates an imminently hazardous situation which, if not avoided, will result in serious injury.



WARNING

Indicates a potentially hazardous situation which, if not avoided, could result in serious injury



CAUTION

Indicates a potentially hazardous situation which, if not avoided, may result in minor or moderate injury.

CAUTION

Used without the safety alert symbol indicates a potentially hazardous situation which, if not avoided, may result in property damage.

STAY ALERT

Do not operate the lawnmower while under the influence of drugs, alcohol, or any medication that could affect your ability to use it properly. Do not use this lawnmower when you are tired or distracted from the job at hand. Be aware of what you are doing at all times. Use common sense.

AVOID DANGEROUS CONDITIONS

Make sure there is adequate surrounding workspace. Cluttered areas invite injuries.

Keep your work area clean with sufficient light. Keep area around the lawnmower clear of obstructions, stones, sticks, wires and other debris or foreign bodies which could cause damage to the lawnmower.

INSPECT YOUR MACHINE

Check all bolts, nuts, and screws for tightness before each use, especially those securing guards and drive mechanisms. Vibration during use may cause these to loosen.

Replace damaged, missing or failed parts before using.

Warning labels carry important information.

Replace any missing or damaged warning labels.

DRESS PROPERLY

Do not wear loose clothing, gloves, scarfs, neckties or jewelry (rings, wrist watches), which can be caught in moving parts.

Wear protective hair covering to contain long hair, preventing it from getting caught in machinery.

DO NOT use whilst barefoot or wearing open toed footwear.

KEEP BYSTANDERS AND CHILDREN AWAY

Keep unauthorised persons a minimum distance of 6 metres away from the machine. Do not allow children to handle, use, or climb on the lawnmower.

DO NOT OVERREACH

Keep proper footing and balance at all times, particularly if using on slopes. The lawnmower should not be used on steep slopes and always be sure of footing.

AVOID INJURY FROM UNEXPECTED ACCIDENT

Keep hands out of the way of moving parts, particularly the cutting cylinder. Do not place any part of your body or any tool. When operating, do not pass hands through the clearance between frame, roller and cutting cylinder. The hardened steel blades are very sharp.

DO NOT FORCE TOOL

Always work within the rated capacity. Do not use the machine for a purpose for which it was not intended.

MAINTAIN YOUR MACHINE WITH CARE

Clean the lawnmower immediately after use. Keep the lawnmower clean to ensure it operates to its full and safest performance. When maintaining this lawnmower, only the manufacturer's original replacement parts should be used. The use of non-original manufacturer parts may invalidate your warranty.

STORE IDLE EQUIPMENT

When not in use, the lawnmower should be stored in a dry location. Keep the lawnmower away from children and others not qualified to use it.

COMPONENTS



ASSEMBLY

It is recommended that you wear gardening gloves are worn, when unpacking, adjusting, assembling and maintaining the lawnmower.

Remove the machine and contents from the carton. Be sure the carton is empty before discarding.

If you require any assistance with regards to the contents of the lawnmower contact us:

Mon – Fri 8.00am – 5.30pm (excl. Bank Holidays)

Tel: 01793 333212

Email: customerservice@handydistribution.co.uk

You will require a Phillips (crosshead) screwdriver and an 10mm spanner to assemble this machine.

HANDLE ASSEMBLY

Attach the lower handle to the machine body by sliding the two holes (one on each side) over the two pegs (one on each side) of the lawnmower body. You will have to squeeze the handle quite firmly, to place over the two prongs.



Align the two holes on each of the middle handles with those on the lower handle. Secure with the four longer screws and nuts provided.

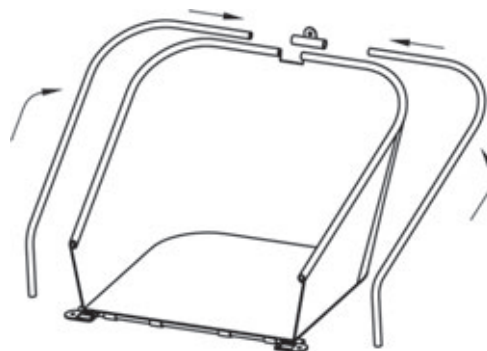


Secure the upper handle over the two middle handles, until the holes are aligned. Secure with the remaining two screws and nuts provided.



GRASSBOX ASSEMBLY

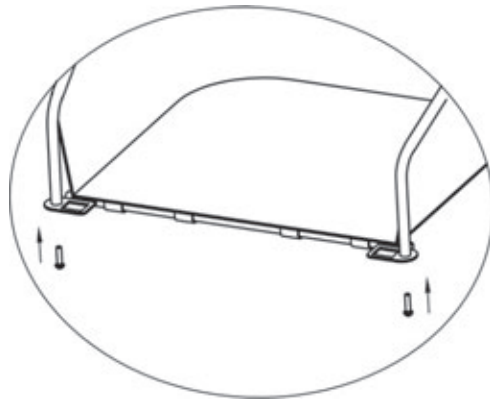
Thread the metal tubes through the seam of the mesh fabric and join together with the connector.



Secure the end of the tubes with the two small screws supplied, through the holes of the collector.



Attach the metal hook into the connector hole.



Attach the grassbox to the lawnmower body by sliding the holes on the front of the bag over the hooks at the front of the cutting height roller.



Attach the hook at the end of the support chain to the middle bar of the lower handle, to raise the grassbox from the ground. If the grassbox appears to sit too low, loop the chain around the middle bar an hook into a link of the chain.



ADJUSTMENTS

This operation needs to be done whilst carefully turning the cylinder blade.



DANGER

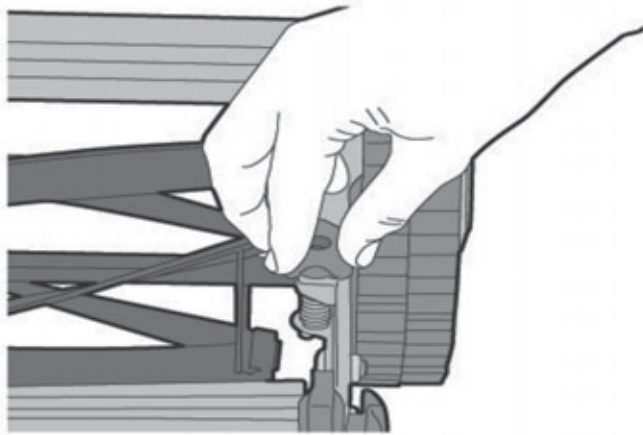
Always wear gloves when adjusting or using the lawnmower.

ADJUSTING THE CUTTING CYLINDER

The fixed bottom blade must be set correctly in order for the lawnmower to work efficiently.

With a spanner, slacken off the two top nuts on each side of the side casing. Carefully tighten the two adjusting knobs on top of the cylinder, by turning them slowly in a clockwise direction.

When the cylinder blade just makes contact with the bottom blade, turn the knobs slightly in an anti-clockwise direction until the cylinder blade turns without touching the bottom blade. Tighten up the nuts on the side casing.

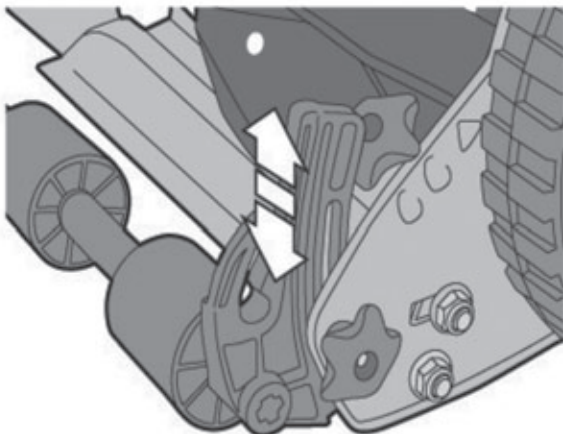


To check the machine is cutting correctly, place a piece of good quality paper, along the whole length of the fixed bottom blade (from underneath the lawnmower), with each of the five cutting blades. This should provide evidence of a good even cut.

ADJUSTING THE CUTTING HEIGHT

Adjust the height of cut by loosening the two knobs on the side of the cutting height roller and moving the roller up and down to the required height.

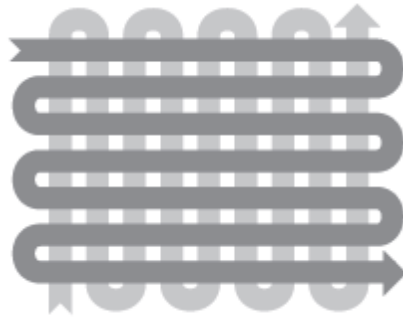
Remember to adjust both sides of the roller equally, the lawnmower will not provide an even finish, if adjusted incorrectly.



OPERATION

Before operating the machine, please ensure you are fully aware of the instructions, failure to do so, could invalidate your manufacturer's warranty.

1. For best results, place the lawnmower on the edge of the lawn, mow in a forward direction.
2. Walk (never run) at a constant speed for best results.
3. Repeat at right angles at the end of each turn, slightly overlapping the previously cut strip.
4. The next time you mow the lawn, try to work at right angles to the previous cut. This will help prevent unevenness in the soil surface, which can build up if you always mow in the same direction.



MAINTENANCE & STORAGE



WARNING

Improper maintenance & storage of the machine may void your warranty. Keep the machine clean for better and safer performance.

MAINTENANCE

- Before each use, check all nuts & bolts to be sure they are sufficiently tightened.
- We recommend only manufacturer original parts are used when maintaining this machine. Failure to do so could invalidate your manufacturer's warranty.
- The cutting cylinder blades should be sharpened every two years, or sooner when damaged by foreign objects to maintain performance.

CLEANING

- Keep your lawnmower clean.
- Thoroughly clean the lawnmower at the end of each use, paying particular attention to grass cuttings in and around the wheels, roller and blades.
- We suggest regular application of multi-purpose oil or lubricant (i.e WD-40). This should be applied to all cutting surfaces and cutting reel axle shaft.



Never put hands inside the cylinder when it is rotating.

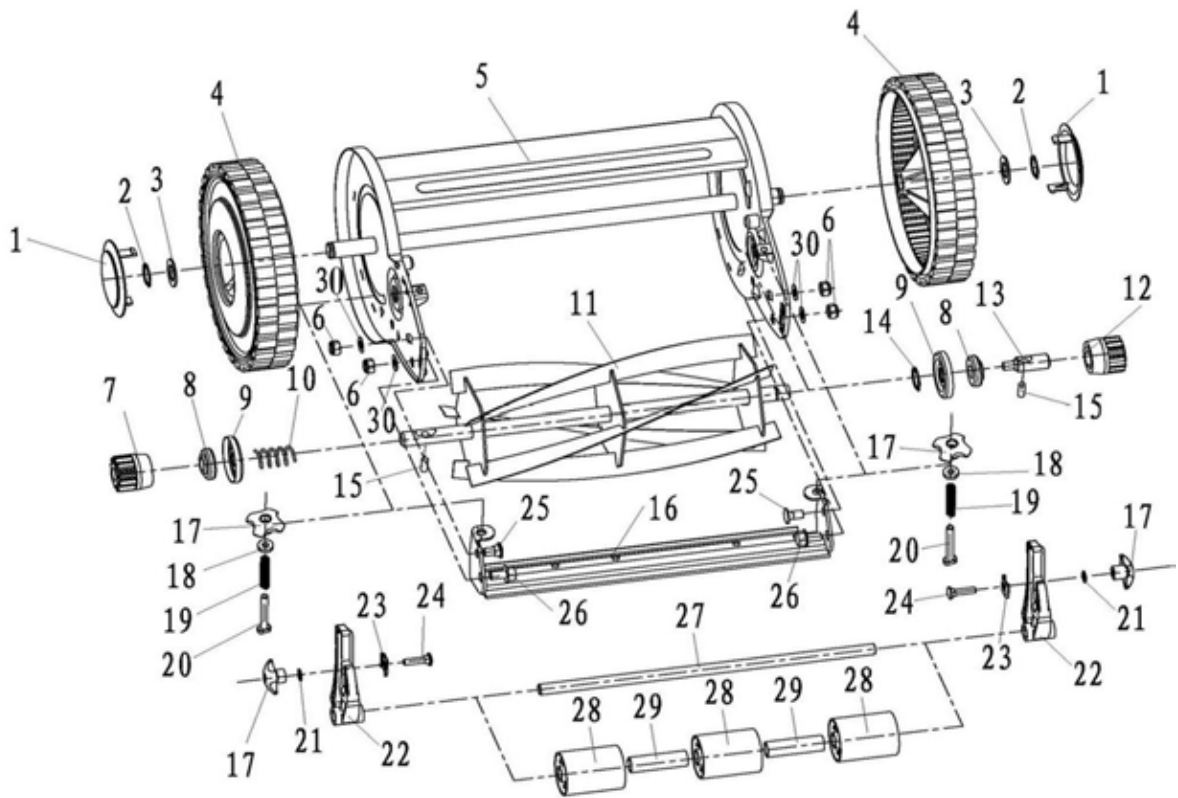
STORAGE

- For years of trouble free service, make sure the lawnmower is clean and dry before storing.
- Before storing, clean the lawnmower thoroughly as indicated above.
- Store indoors or in a protected area during severe weather and winter months.

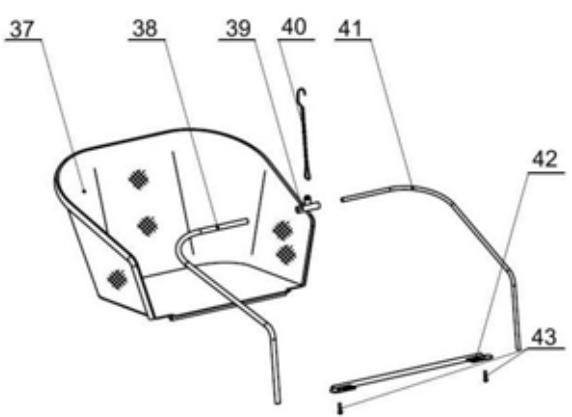
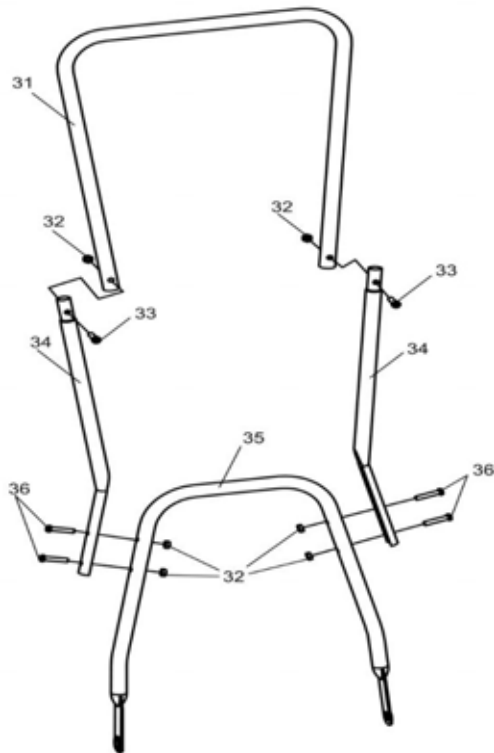
TROUBLE SHOOTING

Problem	Answer
The lawnmower is not cutting?	<ol style="list-style-type: none"><li data-bbox="635 338 1007 367">1. Blade adjustment required<li data-bbox="635 371 1018 400">2. Height adjustment required
My mower is not moving freely?	<ol style="list-style-type: none"><li data-bbox="635 412 1390 472">1. Drive is hampered by outside influence, check for debris in and around drive wheel
The cut is uneven?	<ol style="list-style-type: none"><li data-bbox="635 495 1417 555">1. The blade may be damaged, visit approved service dealer for replacement.<li data-bbox="635 560 1007 589">2. Blade adjustment required<li data-bbox="635 593 1018 622">3. Height adjustment required

PARTS DIAGRAM



NOTE: Parts Lists are supplied for information purposes only, not all parts are stocked individually & we recommend you contact our Spares Team on 01793 333212 for expert advice.



PARTS LIST

No	Part No	Description	Qty	No	Part No	Description	Qty
1	TH144-1GM	Hub Cap	2	23	TH144-23	U Washer	2
2	TH144-2	Retaining Ring 16	2	24	TH144-24	Carriage Bolt M6x25	2
3	TH144-3	Washer 16	2	25	TH144-25	Carriage Bolt M8x16	2
4	TH144-4	Wheel	2	26	TH144-26	Hex Bolt M8x16	2
5	TH144-5GM	Main Frame	1	27	TH144-27	Roller Tube	1
6	TH144-6	Lock Nut M8	4	28	TH144-28	Roller	3
7	TH144-7	Plastic Gear Left	1	29	TH144-29	Roller Spacer	2
8	TH144-8	Bearing 6002-2Z	2	30	TH144-30	Washer 8	4
9	TH144-9	Dust Protection Washer	2	31	TH144-31	Upper Handle	1
10	TH144-10	Reel Adjustment Spring	1	32	TH144-32	Hex Nut	4
11	TH144-11	Reel Assembly	1	33	TH144-33	Bolt M6x25	2
12	TH144-12	Plastic Gear Right	1	34	TH144-34	Middle Handle	2
13	TH144-13	Reel Short Axle	1	35	TH144-35	Lower Handle	1
14	TH144-14	Retaining Ring 15	2	36	TH144-36	Bolt M6x30	4
15	TH144-15	Pawl	1	37	TH144-37	Grass Bag	1
16	TH144-16	Cutter Bar Assembly	4	38	TH144-38	Frame Left	1
17	TH144-17	Adjustment Knob	2	39	TH144-39	Frame Link	1
18	TH144-18	Adjustment Washer	2	40	TH144-40	Support Chain	1
19	TH144-19	Adjustment Spring	2	41	TH144-41	Frame Right	1
20	TH144-20	Adjustment Bolt	2	42	TH144-42	Front Link Bar	1
21	TH144-21	Washer 6	2	43	TH144-43	Screw M6 x 10	2
22	TH144-22	Roller Bracket	2				

NOTE: Parts Lists are supplied for information purposes only, not all parts are stocked individually & we recommend you contact our Spares Team on 01793 333212 for expert advice.

GJ HANDY & CO LTD USER WARRANTY POLICY

Users Statement of Warranty

Each new machine is warranted against defective material or assembly of material under normal usage. The warranty applies to the original purchaser and covers faulty parts and the labour involved in replacing and repairing those parts, which are of original manufacture.

Period of Warranty

All Webb & Webb Pro machines plus Sanli engines.

- a) 2 years from the original date of sale to the first domestic user.
- b) 90 days from the original date of sale to the professional/commercial user.
- c) 90 days from the original date of sale when used for hire.
- d) A reduced warranty period of 90 days applies to those items which are subject to normal wear and tear (e.g. but not limited to wheels, tyres, cutter bars, cylinders, blades, belts, cables, grass bags, spark plugs).
- e) Engines as per the manufacturer's warranty statement which will be supplied with the machine.
- f) 90 days from the original date of purchase for Replacement Spare Parts (unless normal wear & tear component, which are covered for 30 days).
- g) All machines' must be serviced within the first 12 months from the original date of purchase to comply with the warranty, failure to do so will invalidate the 2nd year of the warranty.

All Handy, Mowerland and Q-Garden products.

- a) 1 year from the original date of sale to the first domestic user.
- b) 90 days from the original date of sale to the professional/commercial user.
- c) 90 days from the original date of sale when used for hire.
- d) A reduced warranty period of 90 days applies to those items which are subject to normal wear and tear (e.g. but not limited to wheels, tyres, cutter bars, cylinders, bottom blades, belts, cables, collection bags, spark plugs).
- e) Engines as per the manufacturer's warranty statement which will be supplied with the machine.
- f) 90 days from the original date of purchase for Replacement Spare Parts (unless normal wear & tear component, which are covered for 30 days).

All warranty repairs must be undertaken by an authorised service dealer. These dealers have been accredited by GJ Handy & Co Ltd and agree to only use genuine parts and follow our repair procedures.

GJ HANDY & CO LTD USER WARRANTY POLICY

Not covered by this warranty

- a) The warranty policy does not cover any depreciation or damages caused by ordinary wear, rusting or corrosion, lack of correct maintenance or operation, misuse, abuse, lack of transportation or accident.
- b) The warranty policy does not cover any costs necessary for the standard periodic maintenance services instructed by the operator's manual, or service parts replacement which would include oil, filters, tyres, belts, brake linings, fuses, blades, seals and other service parts unless it can be proven that the item has evidence of faulty manufacture.
- c) The warranty policy will not cover failure or damage caused as a result of parts or accessories being modified without the written approval of GJ Handy & Co Ltd.
- d) The warranty policy will not cover the unit if non-genuine parts have been fitted and as a result damage has occurred to the unit.
- e) The warranty policy is non-transferable and is only applicable to the original purchaser.

Disclaimer

- a) This warranty is only a remedy for defect of products. GJ Handy & Co Ltd will never warranty in terms of the merchantability or the fitness for a particular purpose.
- b) No person is authorised to make any warranties, representations or promises, expressed or implied, on behalf of GJ Handy & Co Ltd, or to modify the terms conditions or limitation of this warranty policy in any way.
- c) Neither GJ Handy & Co Ltd nor any company affiliated with GJ Handy & Co Ltd shall be liable in any event or manner whatsoever for incidental or consequential damages or injuries, including, but not limited to, loss of crops, loss of profit, out of pocket expenses or profits, rental of substitute equipment or other commercial losses.

General

- a) Most warrantable failures show up within the first few weeks of use. These failures are usually straightforward and warranty assessment is relatively easy.
- b) Failures relating to cutter decks and belts need careful investigation, as the cause may not always be straightforward. Look for damage to blades and pulleys especially when the cutter belt or blade boss have snapped or cracked as this could be due to impact damage.
- c) Customers should always refer to the operator/instruction manual when any disputed problem arises, you will find most areas covered within the manual.



EC DECLARATION OF CONFORMITY

We Handy Distribution Ltd - SN3 5HY (Importer) declare that the product:

Designation: 30CM (12") Hand Push Lawnmower

Model(s): THHM

Product Number: 193875002

Type/Serial No. As per rating label on machine

Complies with the following directives:

2006/42/EC - Machinery Directive

Standards and technical specifications referred to:

EN ISO 12100-1:2010, EN ISO 12100-2:2010, EN 60204-1:2006, EN 1050

Name of the Notified Body:

BVCE Compliance Laboratory Limited

Address:

4D1TH Building, Dongming Square, Lujiazui, Pudong, Shanghai, P.R.C

Authorised signatory and technical file holder

Date: 28/09/2016

A handwritten signature in black ink, appearing to read 'S Belcher', is written over a horizontal line.

Signature:

Name: Mr Simon Belcher

Position: Managing Director

Company: Handy Distribution Ltd

Address: Murdock Rd, Swindon, Wiltshire, SN3 5HY.



NOTES

For spares or support of your handy product,
please contact us:

Tel: 01793 333212

Email: customerservice@handydistribution.co.uk
(Mon – Fri 8.00am to 5.30pm excl. Bank Holidays)

To see our range of garden machinery & equipment visit:

www.thehandy.co.uk

Making gardening easier & affordable since 1938

Distributed by Handy Distribution, Murdock Road, Dorcan, Swindon, SN3 5HY