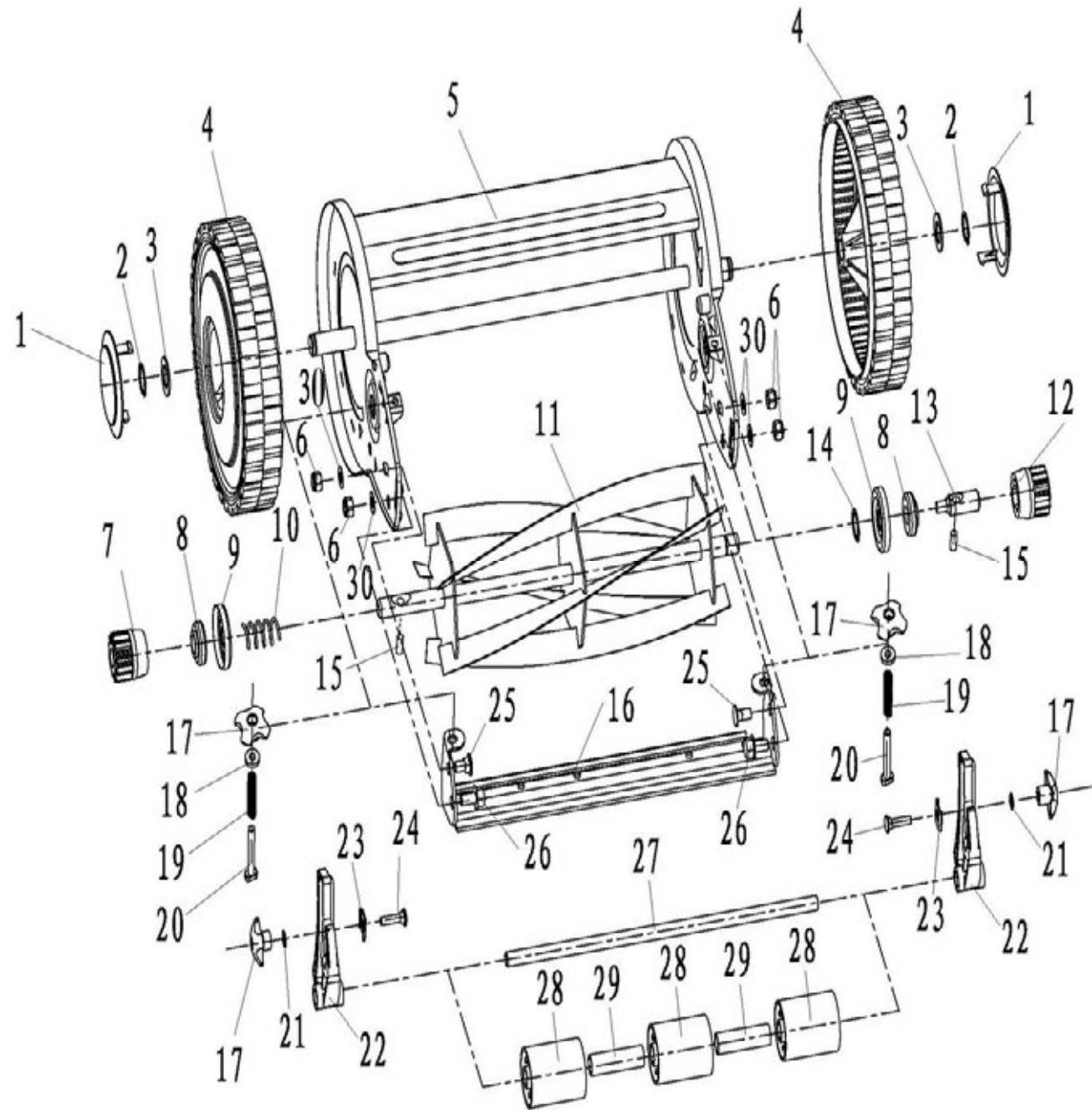




# Push Hand Mower (THHM)





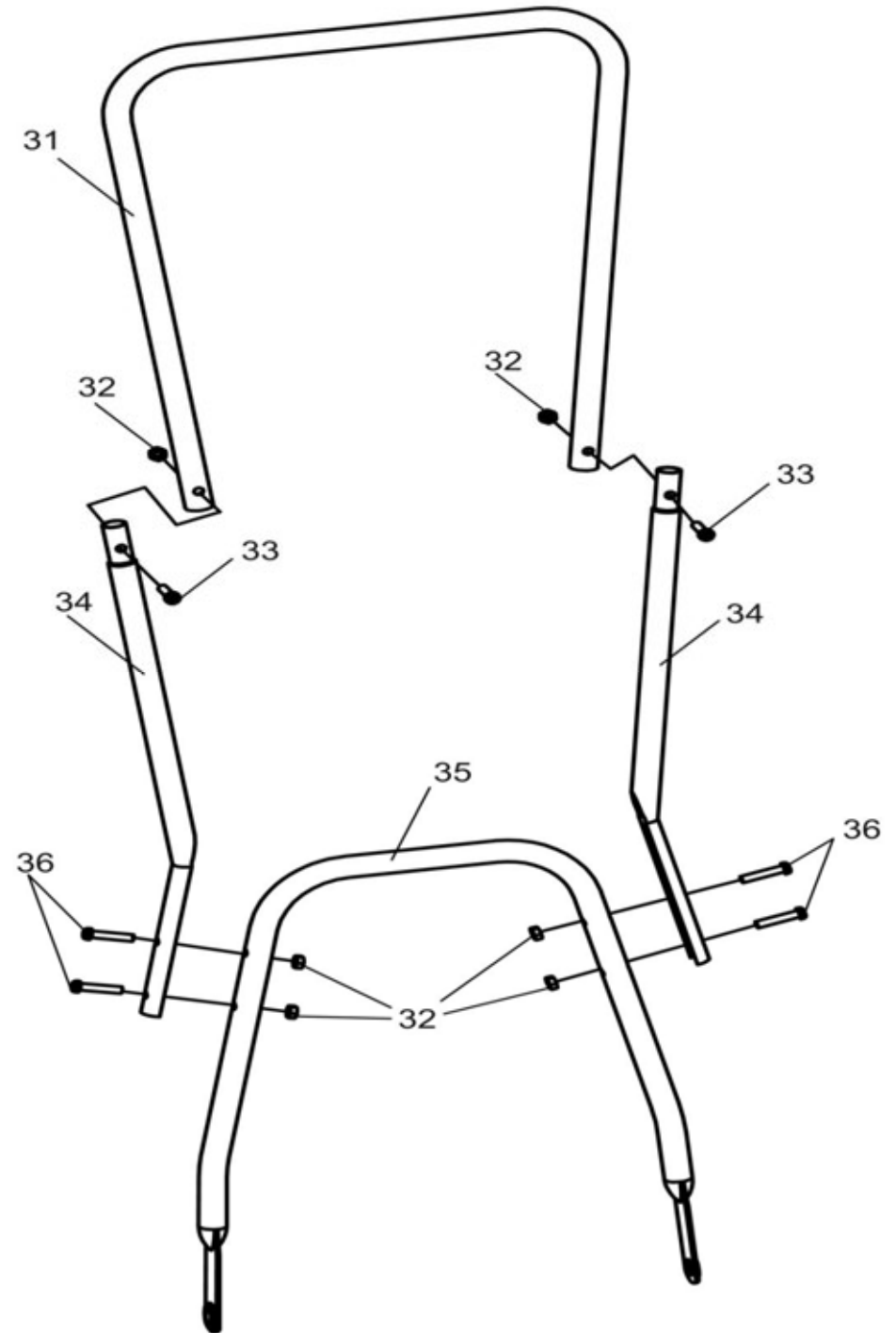
## Push Hand Mower (THHM)

No.	Part No.	Description	Qty	No.	Part No.	Description	Qty
1	TH144-1	Hub cap	2	17	TH144-17	Adjustment knob	4
2	TH144-2	Retaining ring Ø16	2	18	TH144-18	Adjustment washer	2
3	TH144-3	Washer Ø16	2	19	TH144-19	Adjustment spring	2
4	TH144-4	Wheel	2	20	TH144-20	Adjustment bolt	2
5	TH144-5	Protection cup & side plate assembly	1	21	TH144-21	Washer Ø6	2
6	TH144-6	Lock nut M8	4	22	TH144-22	Roller Bracket	2
7	TH144-7	Plastic gear (left)	1	23	TH144-23	U Washer	2
8	TH144-8	Bearing 6002-2Z	2	24	TH144-24	Carriage bolt M6x25	2
9	TH144-9	Dust protection washer	2	25	TH144-25	Carriage bolt M8x16	2
10	TH144-10	Reel adjustment spring	1	26	TH144-26	Hex head bolt M8x16	2
11	TH144-11	Reel assembly	1	27	TH144-27	Roller tube	1
12	TH144-12	Plastic gear (right)	1	28	TH144-28	Roller	3
13	TH144-13	Reel short axle	1	29	TH144-29	Roller spacer	2
14	TH144-14	Retaining ring Ø15	1	30	TH144-30	Washer Ø8	4
15	TH144-15	Pawl	2				
16	TH144-16	Cutter bar assembly	1				



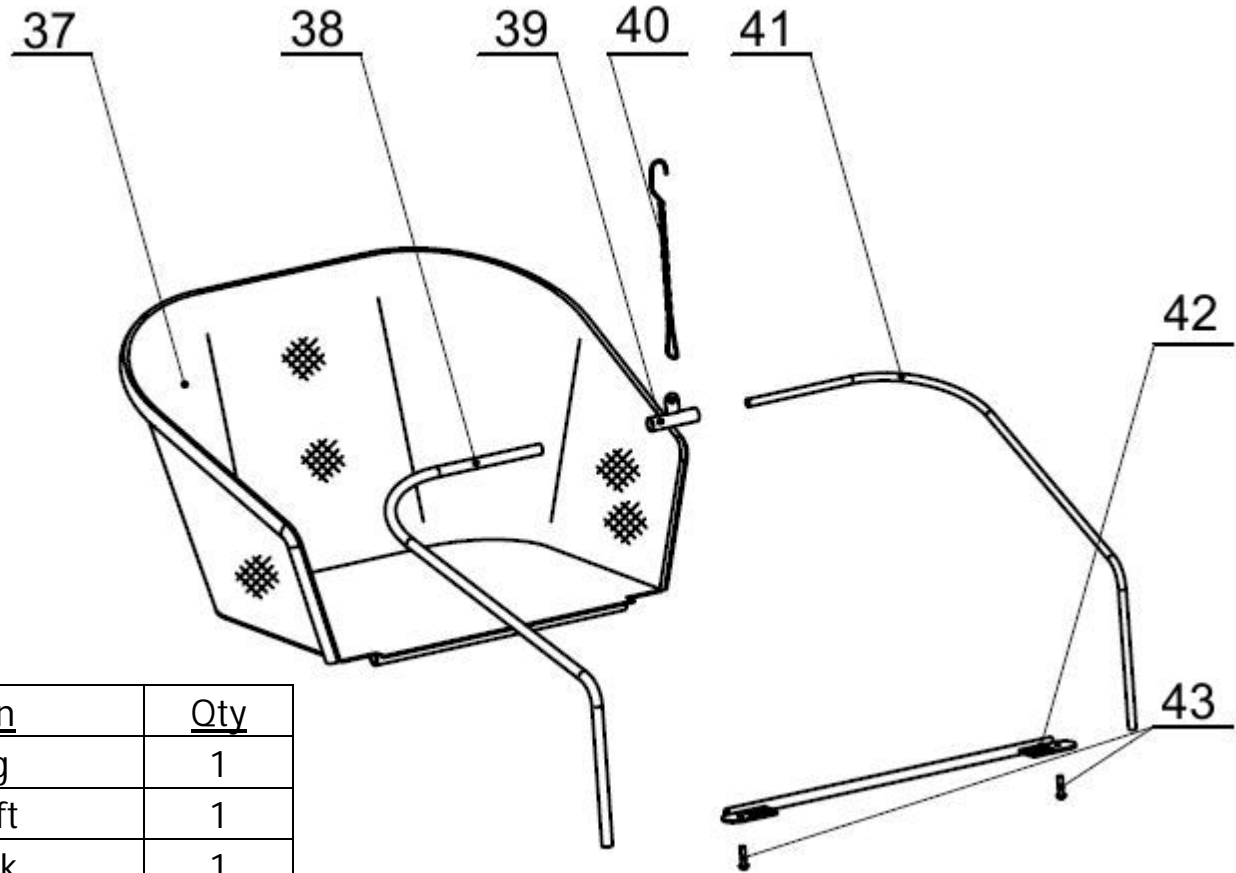
# Push Hand Mower (THHM)

No.	Part No.	Description	Qty
31	TH144-31	Upper handle section	1
32	TH144-32	Hex head nut	4
33	TH144-33	Head bolt M6x25	2
34	TH144-34	Supporting arms	2
35	TH144-35	Lower handle section	1
36	TH144-36	Head bolt M6x30	4





# Push Mower (THHM)



No	Part No	Description	Qty
37	TH144-37	Grass Bag	1
38	TH144-38	Frame Left	1
39	TH144-39	Frame Link	1
40	TH144-40	Support Chain	1
41	TH144-41	Frame Right	1
42	TH144-42	Front Link Bar	1
43	TH144-43	Screw M6 x 10	2