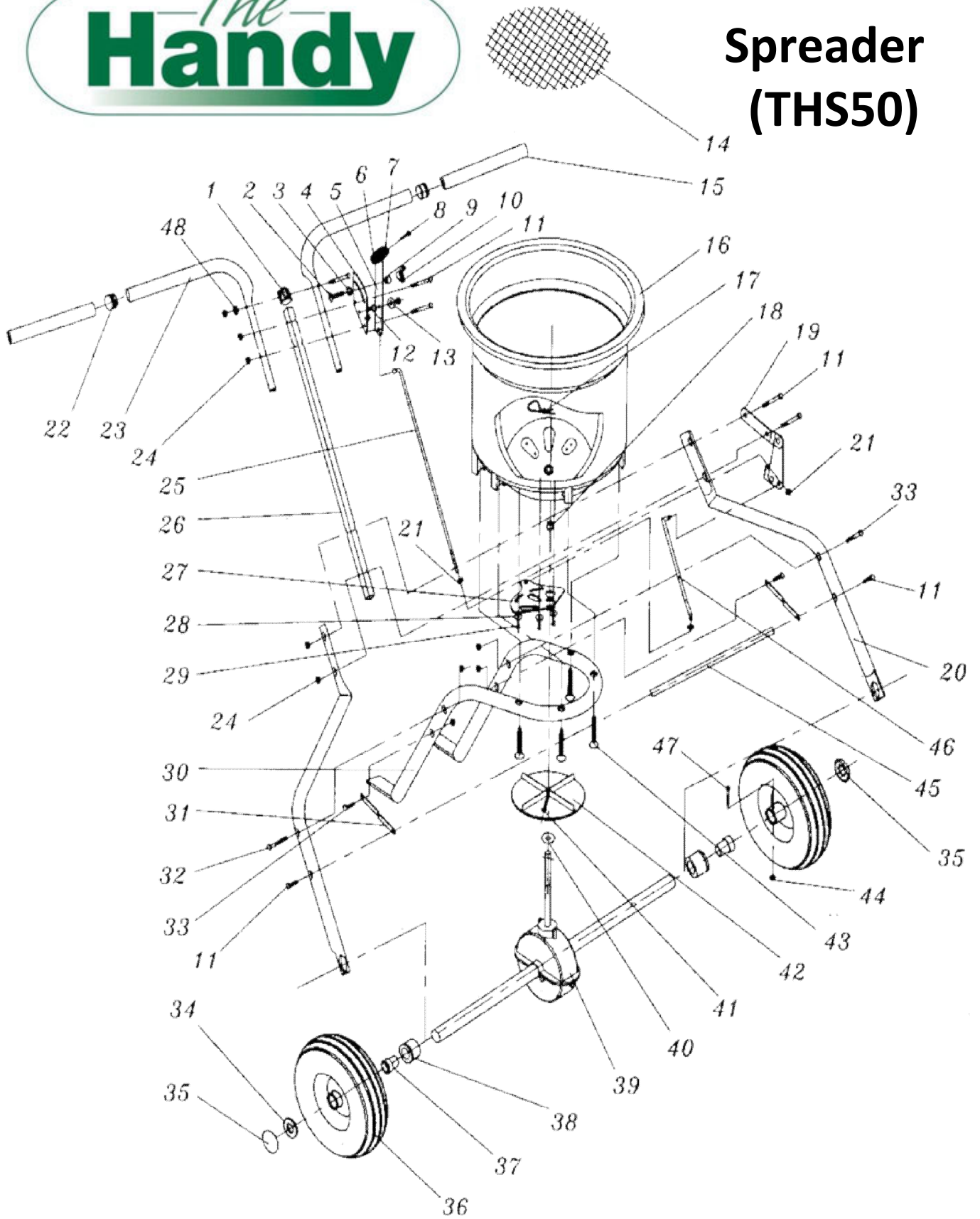


The  
**Handy**

# Spreader (THS50)





# Spreader (THS50)

No	Part No	Description	Qty	No	Part No	Description	Qty
1	TH137-1	Handle Spacer	1	25	TH137-25	Control Rod A	1
2	TH137-2	Bolt M6x25	1	26	TH137-26	Handle Shaft	1
3	TH137-3	Washer Ø8	1	27	TH137-27	Shut off plate	1
4	TH137-4	Gauge & Lever Assembly	1	28	TH137-28	Flat Washer Ø4	3
5	TH137-5	Adjust Handle Pole	1	29	TH137-29	Screw Ø4x12	3
6	TH137-6	Adjust Handle A	1	30	TH137-30	Frame	1
7	TH137-7	Adjust Handle B	1	31	TH137-31	Frame Brace	2
8	TH137-8	Screw M4x18	1	32	TH137-32	Bolt M6X50	2
9	TH137-9	Handle Spacer	1	33	TH137-33	Bolt M6X30	2
10	TH137-10	Wing Nut	1	34	TH137-34	Flat Washer Ø16	1
11	TH137-11	Bolt M6x45	7	35	TH137-35	End Cap	2
12	TH137-12	Nylon Washer	1	36	TH137-36	Pneumatic Wheel	2
13	TH137-13	Flat Washer Ø6	1	37	TH137-37	Axle Bushing	2
14	TH137-14	Screen	1	38	TH137-38	Axle Bearing	2
15	TH137-15	Handle Cover	2	39	TH137-39	Gear Box & Axle Assemble	1
16	TH137-16	Hopper	1	40	TH137-40	Washer	1
17	TH137-17	R Pin Ø2	1	41	TH137-41	Screw Ø4x20	1
18	TH137-18	Hopper Bushing	1	42	TH137-42	Impeller	1
19	TH137-19	Pivot & Bracket Assembly	1	43	TH137-43	Screw Ø6X40	4
20	TH137-20	Wheel Assembly Frame	2	44	TH137-44	Hex Lock Nut M5	1
21	TH137-21	Nut M6	2	45	TH137-45	Cross Brace	1
22	TH137-22	End Cover	2	46	TH137-46	Adjust Connect Rod	1
23	TH137-23	Upper Handle	2	47	TH137-47	Hex Bolt M5X45	1
24	TH137-24	Lock Nut M6	11	48	TH137-48	Flat Washer Ø6	1