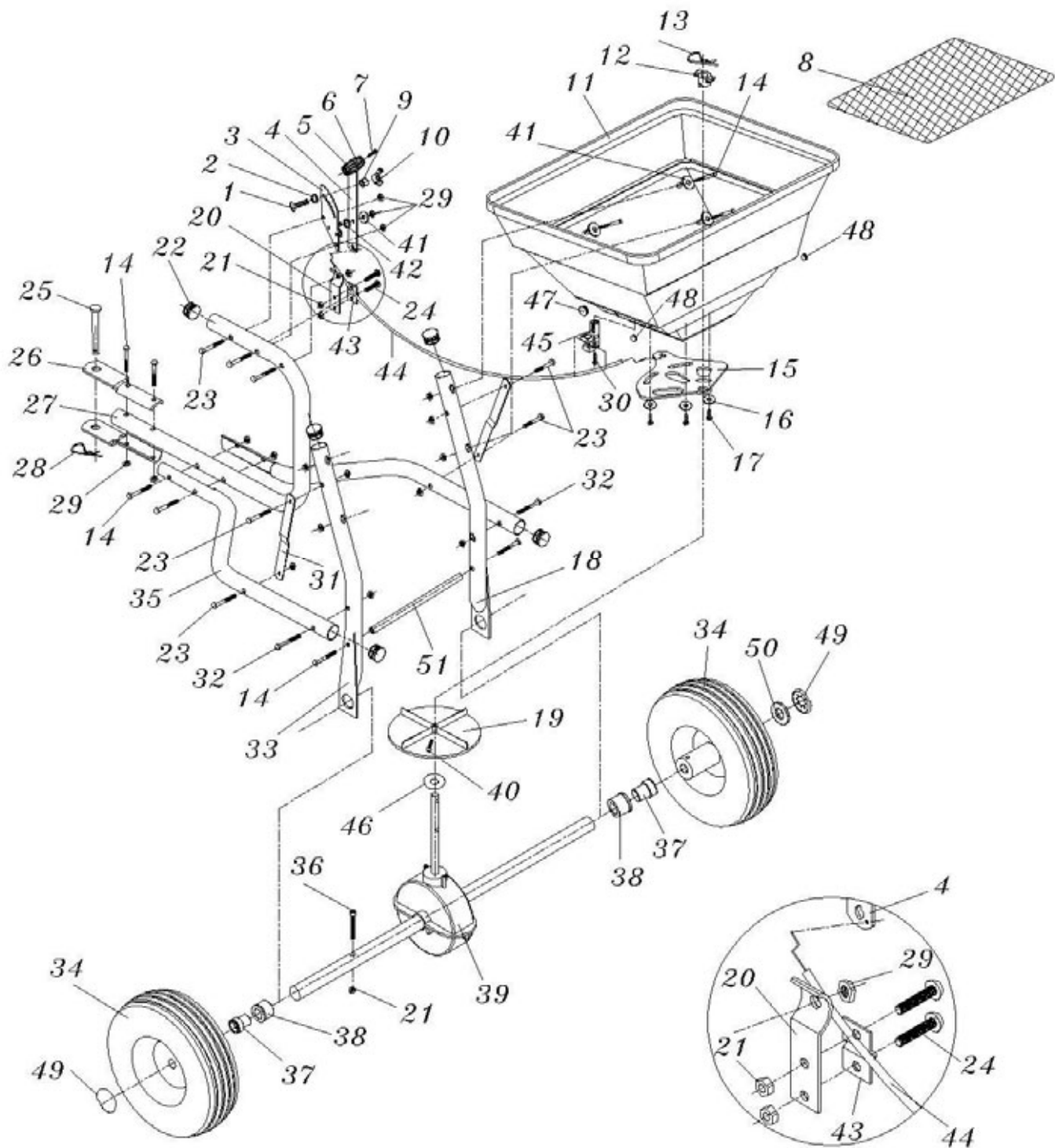


# The Handy





## Towed Spreader (THTS)

No	Part No	Description	Qty	No	Part No	Description	Qty
1	TH139-1	Bolt M6x25	1	27	TH139-27	Install Tube Assembly	1
2	TH139-2	Lock Washer Ø8	1	28	TH139-28	R Pin Ø3	1
3	TH139-3	Gauge & Lever Assembly	1	29	TH139-29	Lock Nut M6	18
4	TH139-4	Adjust Handle Pole	1	30	TH139-30	Screw Ø5X15	1
5	TH139-5	Adjust Handle A	1	31	TH139-31	Connect plate	2
6	TH139-6	Adjust Handle B	1	32	TH139-32	Bolt M6x50	2
7	TH139-7	Screw Ø4x18	1	33	TH139-33	Wheel Frame Assembly (Right)	1
8	TH139-8	Hopper Screen	1	34	TH139-34	Pneumatic Wheel	2
9	TH139-9	Spacer	1	35	TH139-35	Connect Rod	2
10	TH139-10	Wing Nut	1	36	TH139-36	Bolt M5x45	1
11	TH139-11	Hopper	1	37	TH139-37	Inner Axle Bushing	2
12	TH139-12	Center Cover	1	38	TH139-38	Outer Axle Bushing	2
13	TH139-13	R Pin Ø2	1	39	TH139-39	Gear Box & Axle Assembly	1
14	TH139-14	Bolt M6x40	10	40	TH139-40	Screw M4x20	1
15	TH139-15	Adjustable Plate	1	41	TH139-41	Big Flat Washer Ø6	5
16	TH139-16	Big Flat Washer Ø4	3	42	TH139-42	Nylon Washer	1
17	TH139-17	Screw Ø4x12	3	43	TH139-43	Line Clamp Press Plate	1
18	TH139-18	Wheel Frame Assembly (Left)	1	44	TH139-44	Control Rod	1
19	TH139-19	Impeller	1	45	TH139-45	Line Clamp A	1
20	TH139-20	Line Clamp Bottom Plate	1	46	TH139-46	Thin Washer	1
21	TH139-21	Lock Nut M5	3	47	TH139-47	Big End Cap	1
22	TH139-22	Tube End Cap	5	48	TH139-48	Small End Cap	2
23	TH139-23	Bolt M6x35	7	49	TH139-49	Axle End Cover	2
24	TH139-24	Bolt M5x10	2	50	TH139-50	Big Flat Washer Ø16	1
25	TH139-25	Round Head Pin	1	51	TH139-51	Fixing Connecting Rod	1
26	TH139-26	Tow Bar Connect Plate	2				