



**OPERATOR'S MANUAL AND PARTS LIST  
POLY DUMP CART THPDC-A**

Spares & Support: 01793 333212

**[www.thehandy.co.uk](http://www.thehandy.co.uk)**

**Before use please read & understand this manual, paying particular attention to the safety instructions.**

# Important Safety Instructions

1. READ ALL INSTRUCTIONS CAREFULLY BEFORE USE.
2. Do not load The Poly Dump Cart with more than 881lbs(400kg) . Do not use the dumping feature of the Poly Dump Cart with more than 399lbs (181 kg).
3. Do not allow children to use the Poly Dump Cart unsupervised. The Poly Dump Cart is not a toy.
4. Always distribute payload evenly over the surface of the tray.
5. Do not load any items on the top edges of the plastic tray.
6. If any parts become damaged, broken, or misplaced, do not use The Poly Dump Cart until replacement parts can be obtained.
7. Do not operate or use on objects that can cause damage to the pneumatic tyres or tubes.  
**Do not inflate tyres to more than 30PSI / 2.1 BAR.**
8. SAVE THESE INSTRUCTIONS!

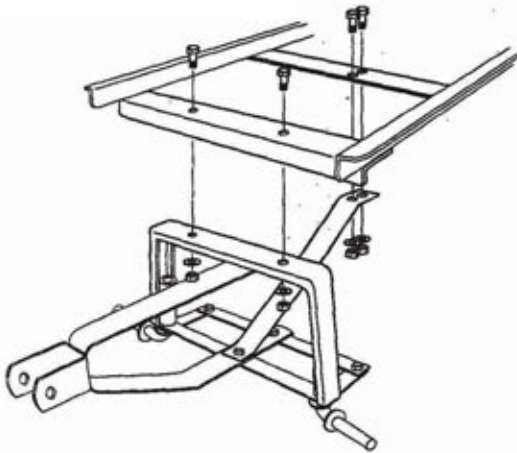
## Assembly Instructions

Your Poly Dump Cart requires assembly. Account for all parts and hardware before beginning assembly. If any parts are missing or damaged, or if you have any questions or need additional instructions, call the helpline on 01793 333220.

Tools required for assembly: large flat screwdriver and socket set (or two adjustable wrenches).

### Step 1

Assemble front bracket to front frame using M8X20 bolts (TH140-12), M8 lock (TH140-16), ID 8mm washers (TH140-19).



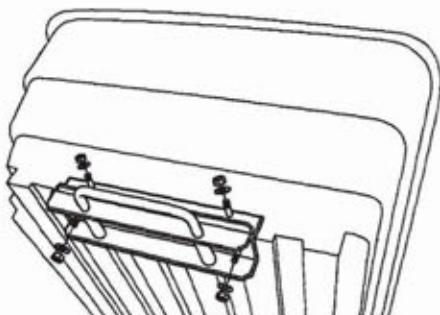
### Step 2

Assemble rear bracket to rear frame and tub using Round head M8X30 bolts (TH140-13), M8 lock nuts (TH140-16), 4PCS ID 8mm wide wing washers (TH140-18) on the base of the tub. Use one washer inside the tub and one underneath the nut (see Exploded Drawing for Assembly on page 4)



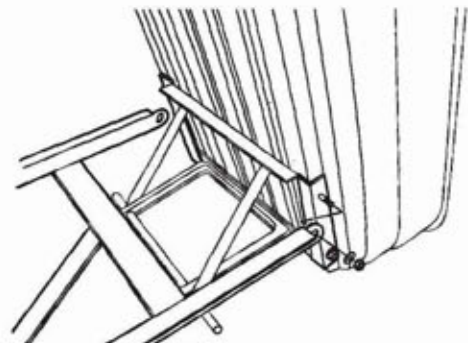
### Step 3

Assemble lock to tub using Round head M8X20 bolts (TH140-14), M8 lock nuts (TH140-16), 4PCS ID 8mm wide wing washers (TH140-18) on the base of the tub. Use one washer inside the tub and one underneath the nut (see Exploded Drawing for Assembly on page 4).



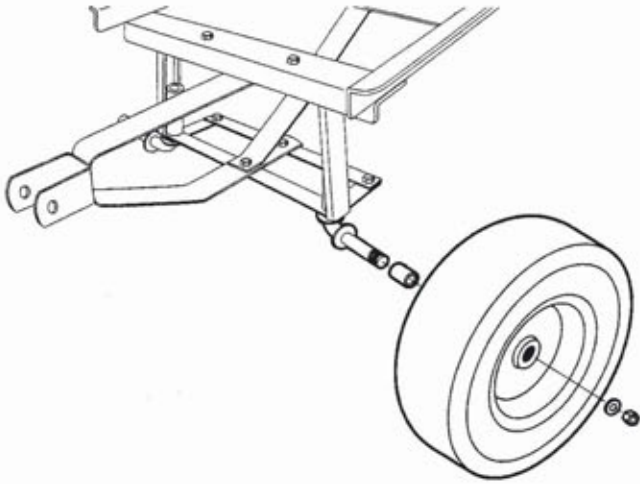
### Step 4

Place tub into its dump position. Remove the front screws from the rear frame. Take the front axle and frame and slide it over the rear frame where the screws were just removed. Once aligned, reinsert the screws and refit the nuts. The rear frame, front frame, and tub should now all be connected.



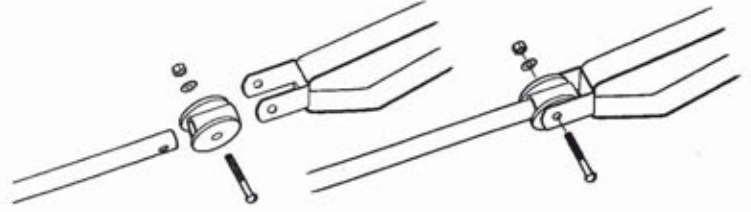
### Step 5

Assemble the wheels using the M12 lock nuts (TH140-17), spacers (TH140-21), and washers (TH140-20).



### Step 6

Assemble the handle to the yoke using M8X60 bolt (TH140-15), M8 lock nut (TH140-16), and ID 8mm washer (TH140-19).



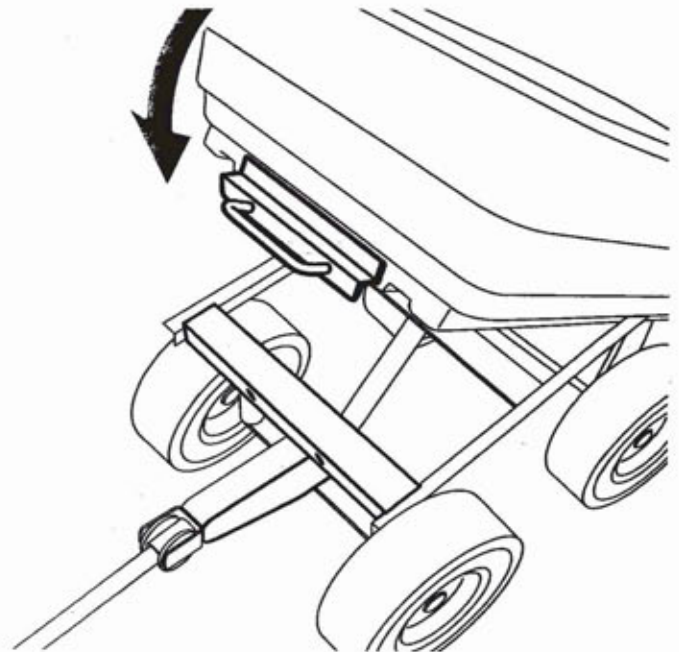
## Using the Dumping Feature

To operate the dumping feature, pull the dumping release handle outward to release the plastic bed from the locking mechanism. Lift up the release handle to raise the cart into the dumping position.



## Returning the Plastic Bed to the Lowered Position

Move the plastic bed back down to the lowered position. Make sure the dumping release handle is locked into place when the cart is in the lowered position.

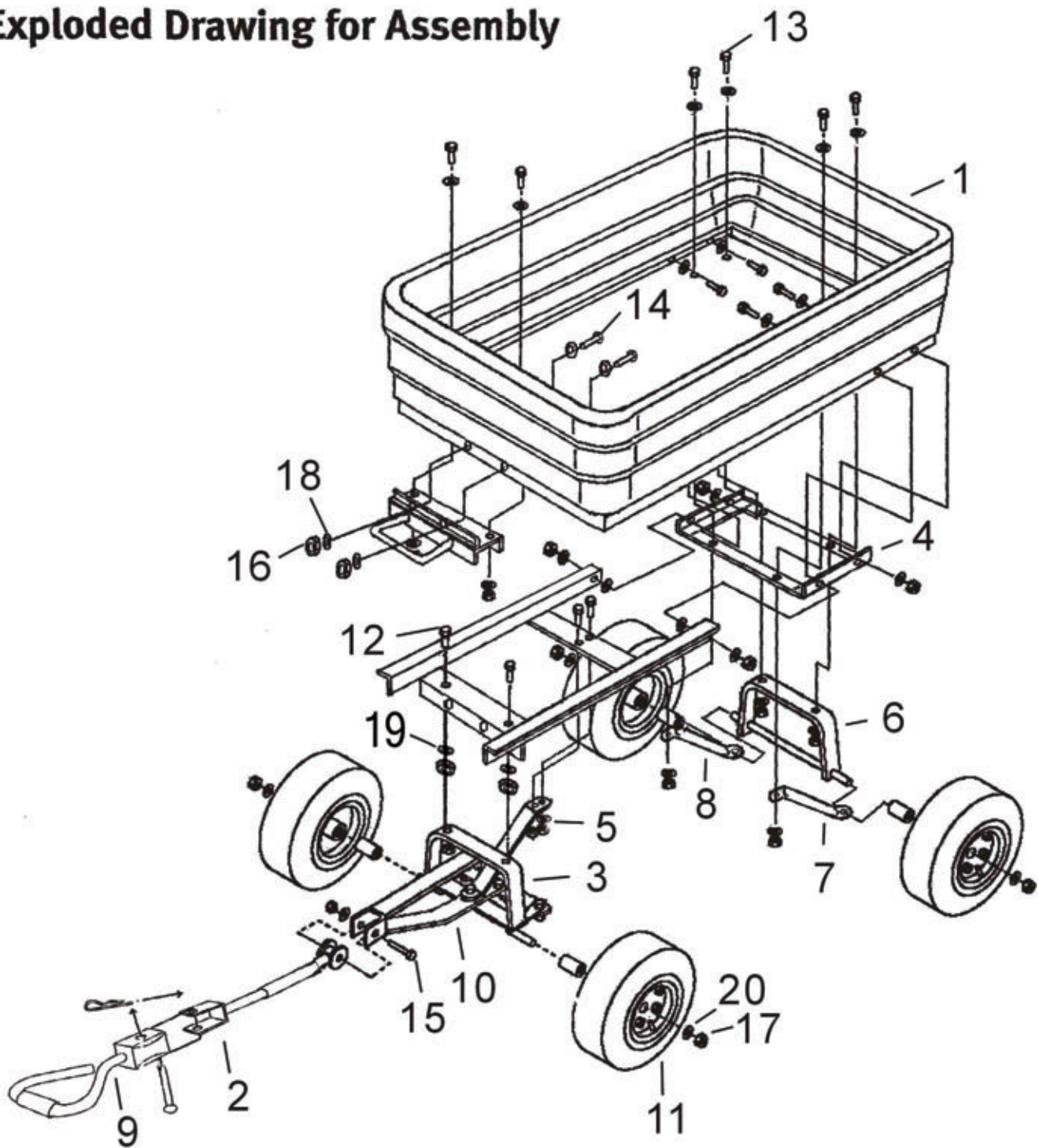


**CAUTION**

DO NOT EXCEED MAXIMUM OVERALL LOAD CAPACITY 400KGS  
MAXIMUM DUMPING LOAD CAPACITY 181KGS.



# Exploded Drawing for Assembly



## Parts List

TH140-1 Tub (1)	TH140-8 Right Rear Brace (1)	TH140-15 Round Head Bolt M8x60 (1)
TH140-2 Lock (1)	TH140-9 Handle (1)	TH140-16 Lock Nut M8 (13)
TH140-3 Front Frame (1)	TH140-10 Coupling (1)	TH140-17 Lock Nut M12 (4)
TH140-4 Rear Frame (1)	TH140-11 Wheel (4)	TH140-18 Wide Wing Washer ID 8mm (16)
TH140-5 Front Bracket Assembly (1)	TH140-12 Bolt M8x20 (4)	TH140-19 ID 8mm Washer (5)
TH140-6 Rear Bracket (1)	TH140-13 Round Head Bolt M8x30 (4)	TH140-20 Washer ID 12mm (4)
TH140-7 Left Rear Brace (1)	TH140-14 Round Head Bolt M8x20 (4)	TH140-21 Spacer (4)