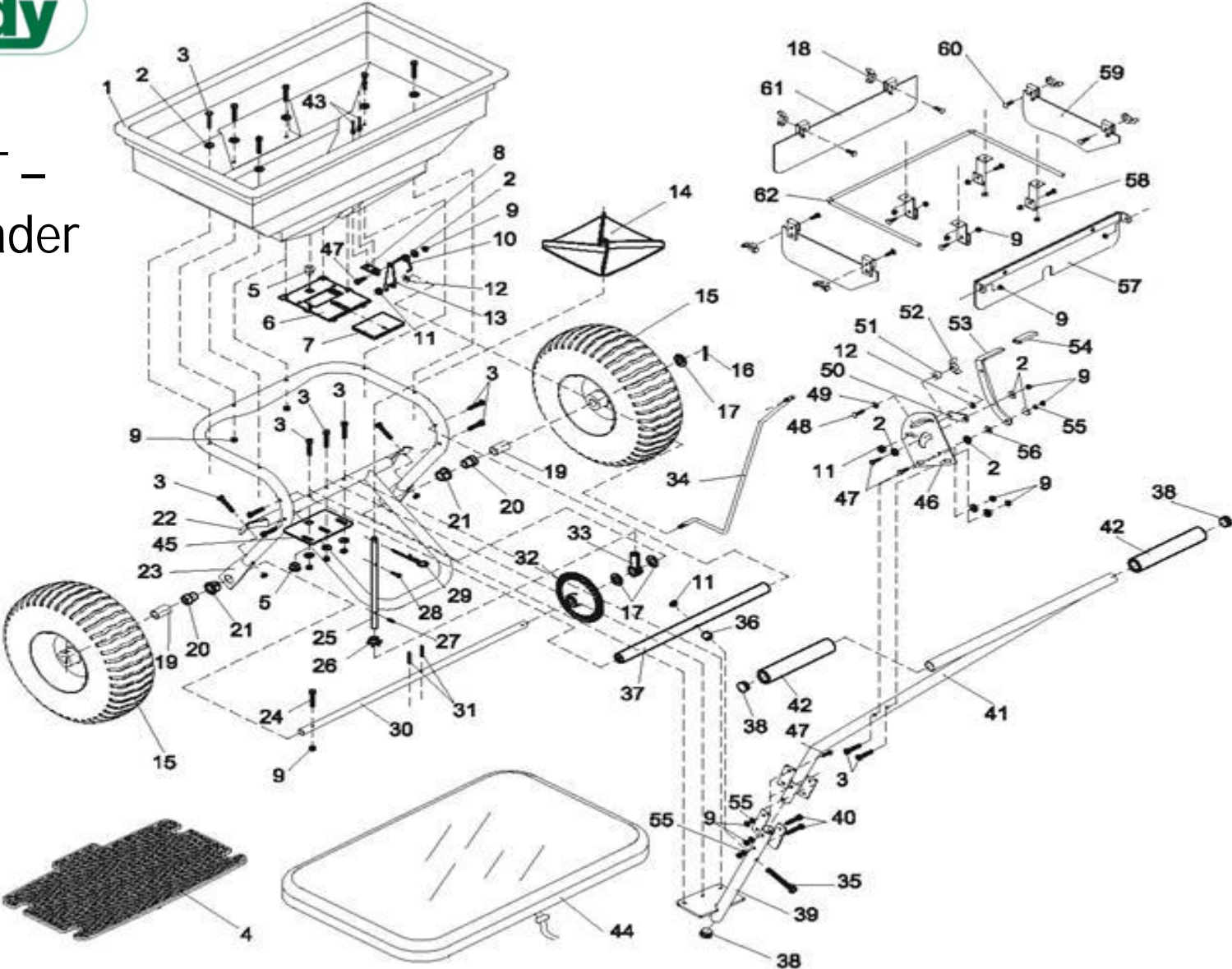




THSSALT – Salt Spreader





THSSALT – Salt Spreader

No.	Part No.	Description	QTY	No	Part No.	Description	QTY
1	TH152-1	Hopper	1	32	TH152-32	Gear	1
2	TH152-2	Flat Washer Ø6	16	33	TH152-33	Swivel Axle Base	1
3	TH152-3	Hex Bolt M6x40	17	34	TH152-34	Connecting Rod	1
4	TH152-4	Hopper Screen	1	35	TH152-35	Hex Bolt M8x75	1
5	TH152-5	Swivel Axle Bushing	2	36	TH152-36	Spacer	1
6	TH152-6	Fixed Adjustable Plate	1	37	TH152-37	Fixed Crossover Tube	1
7	TH152-7	Active Adjustable Plate	1	38	TH152-38	End Cap	3
8	TH152-8	Base for Spring	1	39	TH152-39	Support Tube Assembly	1
9	TH152-9	Lock Nut M6	29	40	TH152-40	Hex Bolt M6x35	2
10	TH152-10	Spring	1	41	TH152-41	Handle Connecting Tube	1
11	TH152-11	Lock Nut M8	3	42	TH152-42	Handle Grip	2
12	TH152-12	Flat Washer Ø8	2	43	TH152-43	Rivet Ø5x8	2
13	TH152-13	Fixed Plate for Connecting Rod	1	44	TH152-44	Rain Cover	1
14	TH152-14	Impeller	1	45	TH152-45	Swivel Axle Plate	1
15	TH152-15	Wheel Assembly	2	46	TH152-46	Gauge Lever Plate	1
16	TH152-16	Cotter Pin Ø5x35	1	47	TH152-47	Hex Bolt M6x20	7
17	TH152-17	Flat Washer Ø16	3	48	TH152-48	Round Head Bolt M6x25	1
18	TH152-18	Wing Nut M6	6	49	TH152-49	Lock Washer Ø8	1
19	TH152-19	Wheel Bushing	2	50	TH152-50	Connecting Rod Plate	1
20	TH152-20	Inner Axle Bushing	2	51	TH152-51	Spacer	1
21	TH152-21	Outer Axle Bushing	2	52	TH152-52	Wing Nut M6	1
22	TH152-22	Support Leg Assembly	1	53	TH152-53	Adjustable Handle	1
23	TH152-23	Hopper Assembly Tube	1	54	TH152-54	Gauge Lever Handle Grip	1
24	TH152-24	Hex Bolt M6x60	1	55	TH152-55	Lock Washer Ø6	7
25	TH152-25	Swivel Axle	1	56	TH152-56	Nylon Washer	1
26	TH152-26	Small Gear	1	57	TH152-57	Rear Back Plate	1
27	TH152-27	Spring Pin Ø3x16	1	58	TH152-58	Hanging Plate	4
28	TH152-28	Screw M4x20	1	59	TH152-59	Side Back Plate	2
29	TH152-29	R Pin Ø3	1	60	TH152-60	Round Head Bolt M6x20	10
30	TH152-30	Axle	1	61	TH152-61	Front Back Plate	1
31	TH152-31	Spring Pin Ø4x30	2	62	TH152-62	Hanging Rod	1