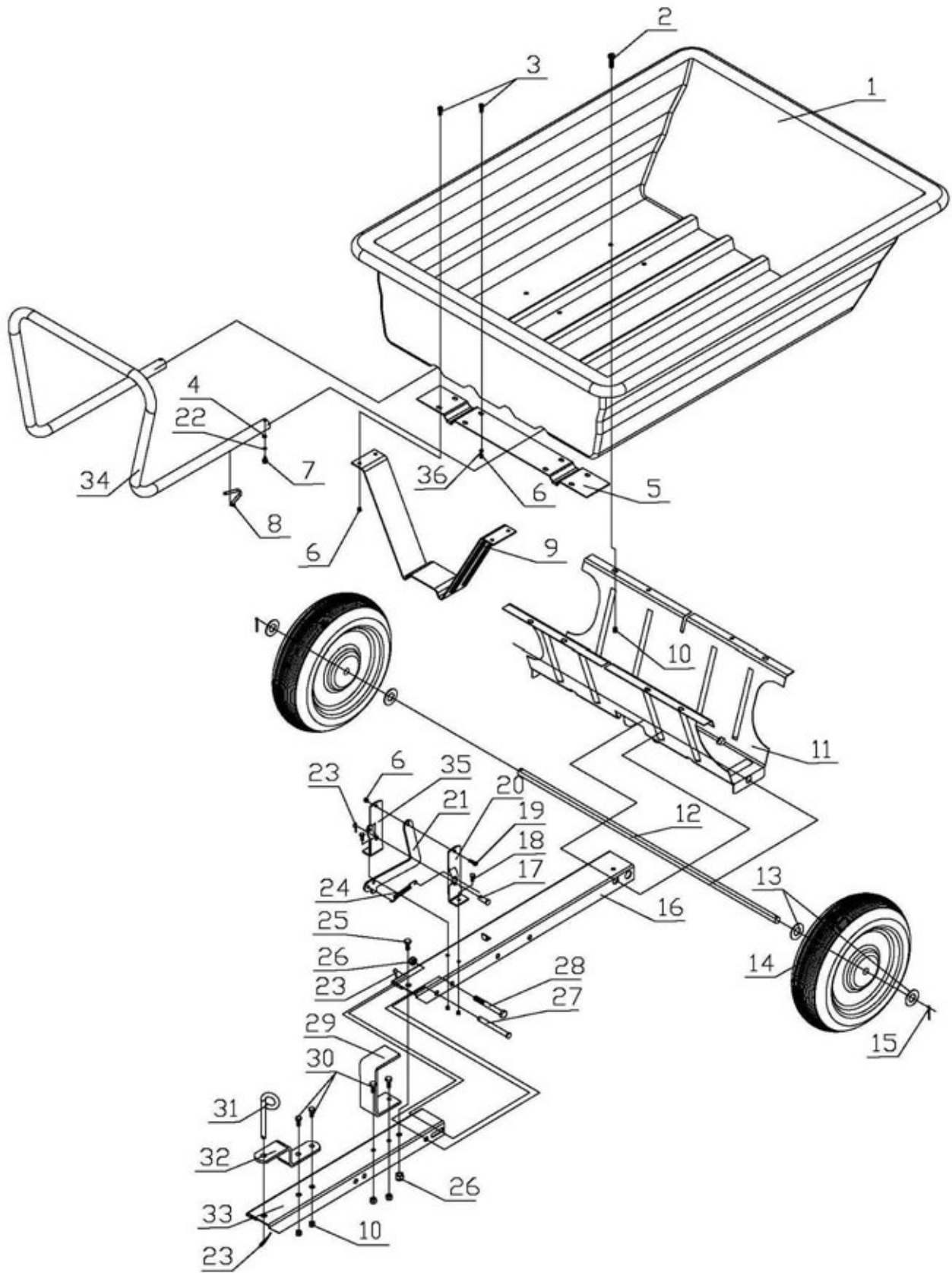


PARTS DRAWING



PARTS LIST

REF #	PART NO	DESCRIPTION	QTY	REF #	PART NO	DESCRIPTION	QTY
1	TH180-1	Poly Tray	1	19	TH180-19	Hex Bolt M6x20	1
2	TH180-2	Flat Head Bolt M8x16	8	20	TH180-20	Latch Mount Bracket (Right)	1
3	TH180-3	Flat Head Bolt M6x16	8	21	TH180-21	Latch Lock	1
4	TH180-4	Flat Washer Ø6	2	22	TH180-22	Lock Washer Ø6	2
5	TH180-5	Latch Stand Plate	1	23	TH180-23	R Pin Ø3	3
6	TH180-6	Lock Nut M6	11	24	TH180-24	Extension Spring	1
7	TH180-7	Flange Screw ST6.3x13	2	25	TH180-25	Hex Bolt M10x20	1
8	TH180-8	Pin	2	26	TH180-26	Lock Nut M10	2
9	TH180-9	Latch Stand Bracket	1	27	TH180-27	Clevis Pin Ø13x98	1
10	TH180-10	Lock Nut M8	12	28	TH180-28	Hex Bolt M10x95	1
11	TH180-11	Wheel Support	1	29	TH180-29	Leg Stand Bracket	1
12	TH180-12	Axle	1	30	TH180-30	Hex Bolt M8x20	4
13	TH180-13	Flat Washer Ø16	4	31	TH180-31	Hitch Pin	1
14	TH180-14	Wheel	2	32	TH180-32	Hitch Bracket	1
15	TH180-15	Cotter Pin Ø3x25	2	33	TH180-33	Draw Bar A	1
16	TH180-16	Draw Bar B	1	34	TH180-34	Handle	1
17	TH180-17	Clevis Pin Ø13x28	1	35	TH180-35	Latch Mount Bracket (Left)	1
18	TH180-18	Hex Bolt M6x16	2	36	TH180-36	Big flat Washer Ø6	4