



Vibratory Plate Compactor

Operator's Manual

MODEL NUMBER : 29140 29142 29155

SERIAL NUMBER : _____

Both model number and serial number may be found on the main label.
You should record both of them in a safe place for future use.

FOR YOUR SAFETY

READ AND UNDERSTAND THE ENTIRE MANUAL BEFORE OPERATING
MACHINE

TABLE OF CONTENTS

Introduction	1
Specifications	1
Symbols	1
Safety	2
General Safety Rules	2
Specific Safety Rules	4
Contents supplied	5
Assembly	5
Know your compactor	8
Features & Controls	8
Compactor Operation	9
Maintenance	10
Storage	13
Lifting/Transporting	13
Trouble Shooting	14
Parts Diagrams and Lists	15

INTRODUCTION

Your new Vibratory Plate Compactor will more than satisfy your expectations. It has been manufactured under stringent quality standards to meet superior performance criteria. You will find it easy and safe to operate, and with proper care, it will give you many years of dependable service.



Carefully read through this entire operator's manual before using your new unit. Take special care to heed the cautions and warnings.

Our commitment to quality can be seen in the design and features of our machine: reinforced self-cleaning base plate, engine oil drain hose, closed V-belt guard, self-adjusting centrifugal clutch and a folding handle. A range of useful accessories enables use in all kinds of applications.

The Plate Compactor applies energy to the loose soil or other materials to increase its density and load bearing capacity, mainly used for small repair and maintenance work. The loose soil or particles are compressed.

This removes trapped air and gaps in the soil. It increases the load bearing capacity, decreases water seepage, prevents soil settlement, reduces swelling, contraction of the soil and prevents frost damage. It is ideal for compaction of granular soils, sands, gravel, crushed aggregate and mixed soils.



These compactors are not intended to be used on cohesive soils such as clay or hard surfaces like concrete

The Engine Manufacturer is responsible for all engine-related issues with regards to performance, power rating, specifications, warranty and service. Please refer to the Engine Manufacturer's owner/operator's manual, packed separately with your unit, for more information.

Specifications

Item No.	29140	29142	29155
Plate Size	495x320mm	530x370mm	540x420mm
Centrifugal Force	8200N	11000N	13000N
Exciter Speed	5900vpm	5500vpm	5500vpm
Compaction Speed	20cm	25cm	30cm
Travel Speed	25m/min	25m/min	15m/min
Engine	87cc	163cc	196cc
Operation Weight	53 kg	63 kg	86 kg

ENVIRONMENTAL



Recycle unwanted materials instead of disposing of them as waste. All tools, hoses and packaging should be sorted, taken to the local recycling center and disposed of in an environmentally safe way.

SYMBOLS

The rating plate on your machine may show symbols. These represent important information about the product or instructions on its use.



Read these instructions for use carefully.



Use safety equipment. Always wear eye and hearing protection, safety footwear, gloves and a helmet.



It is forbidden to remove or tamper with the protection devices and safety devices.



Keep away from rotating parts.



Do not touch parts which are hot from operation. Serious burns may result.



Do not smoke or have open flames.

Use extreme caution when storing, handling and using fuels, as they are highly volatile and explosive in a vapour state.



Keep children and bystanders clear and away.

SAFETY

General Safety Rules

Understand your machine

Read and understand the operator's manual and labels affixed to the machine. Learn its application and limitations as well as the specific potential hazards peculiar to it.

Be thoroughly familiar with the controls and their proper operation. Know how to stop the machine and disengage the controls quickly.

Make sure to read and understand all the instructions and safety precautions as outlined in the Engine Manual, packed separately with your unit. Do not attempt to operate the machine until you fully understand how to properly operate and maintain the Engine and how to avoid accidental injuries and/or property damage.

Work area

Never start or run the engine inside a closed area. The exhaust fumes are dangerous, containing carbon monoxide, an odourless and deadly gas. Operate this unit only in a well ventilated outdoor area.

Never operate the machine without good visibility or light.

Personal safety

Do not operate the machine while under the influence of drugs, alcohol, or any medication that could affect your ability to use it properly.

Dress sensibly. Wear heavy trousers, boots and gloves. Do not wear loose clothing, short pants, jewellery of any kind. Secure long hair so it is above shoulder level. Keep your hair, clothing and gloves away from moving parts. Loose clothes, jewellery or long hair can be caught in moving parts.

Check your machine before starting it. Keep guards in place and in working order. Make sure all nuts, bolts, etc. are securely tightened.

Never operate the machine when it is in need of repair or is in poor mechanical condition. Replace damaged, missing or failed parts before using it. Check for fuel leaks. Keep the machine in safe working condition.

Do not use the machine if the engine's switch does not turn it on or off. Any petrol powered machine that cannot be controlled with the engine switch is dangerous and must be replaced.

Before every use check to see that keys and adjusting wrenches are removed from the machine area before starting it. A wrench or a key that is left attached to a rotating part of the machine may result in personal injury.

Stay alert, watch what you are doing and use common sense when operating the machine.

Do not overreach. Do not operate the machine while barefoot or when wearing sandals or similar lightweight footwear. Wear protective footwear that will protect your feet and improve your footing on slippery surfaces. Keep proper footing and balance at all times. This enables better control of the machine in unexpected situations.

Avoid accidental starting. Be sure the engine's switch is off before transporting the machine or performing any maintenance or service on the unit. Transporting or performing maintenance or service on a machine with its switch on invites accidents.

Fuel safety

Fuel is highly flammable, and its vapours can explode if ignited. Take precautions when using to reduce the chance of serious personal injury.

Only refill or drain the fuel tank in a clean, well-ventilated outdoor area. Use an approved fuel storage container. Do not smoke, or allow sparks, open flames or other sources of ignition near the area while adding fuel or operating the unit. Never fill the fuel tank indoors.

Keep grounded conductive objects, such as tools, away from exposed, live electrical parts and connections to avoid sparking or arcing, which could ignite fumes or vapours.

Always stop the engine and allow it to cool before filling the fuel tank. Never remove the cap of the fuel tank or add fuel while the engine is running or when the engine is hot. Do not operate the machine with known leaks in the fuel system.

Loosen the fuel tank cap slowly to relieve any pressure in the tank.

Never overfill the fuel tank (there should be no fuel above the upper limit mark).

Replace all fuel tank and container caps securely and wipe up spilled fuel. Never operate the unit without the fuel cap securely in place.

Replace all fuel tank and container caps securely and wipe up spilled fuel. Never operate the unit without the fuel cap securely in place.

Avoid creating a source of ignition for spilled fuel. If fuel is spilled, do not attempt to start the engine but move the machine away from the area of spillage and avoid creating any source of ignition until fuel vapours have dissipated.

Store fuel in containers specifically designed and approved for this purpose.

Store fuel in a cool, well-ventilated area, safely away from sparks, open flames or other sources of ignition.

Never store fuel or a machine with fuel in the tank inside a building where fumes may reach a spark, open flame, or any other source of ignition, such as a water heater, furnace, clothes dryer or similar. Allow the engine to cool before storing in any enclosure.

Machine use and care

Never pick up or carry a machine while the engine is running.

Do not force the machine. Use the correct machine for your application. The correct machine will do the job better and safer at the rate for which it was designed.

Do not change the engine governor settings or over-speed the engine. The governor controls the maximum safe operating speed of the engine.

Do not run the engine at a high speed when you are not working.

Do not put hands or feet near rotating parts.

Avoid contact with hot fuel, oil, exhaust fumes and hot surfaces. Do not touch the engine or muffler. These parts get extremely hot during use. They remain hot for a short time after you turn off the unit. Allow the engine to cool before performing maintenance or making adjustments.

If the machine starts to make an unusual noise or vibration, immediately shut off the engine, disconnect the spark plug wire, and check for the cause. An unusual noise or vibration is generally a warning of an issue with the machine.

Use only attachments and accessories approved by the manufacturer. Failure to do so can result in personal injury.

Maintain the machine. Check for misalignment or binding of moving parts, breakage of parts and any other condition that may affect the machine's operation. If damaged, have the machine repaired before use. Many accidents are caused by poorly maintained equipment.

Keep the engine and muffler free of grass, leaves, excessive grease or carbon build up to reduce the chance of a fire hazard.

Never douse or squirt the unit with water or any other liquid. Keep handles dry, clean and free from debris. Clean after each use.

Observe proper disposal laws and regulations for gas, oil, etc. to protect the environment.

Don't store the machine where children will be able to access it. Don't allow persons unfamiliar with the machine or these instructions to operate it. The machine is dangerous in the hands of untrained users.

Service

Before cleaning, repair, inspecting, or adjusting, shut off the engine and make certain all moving parts have stopped. Always make sure the engine's switch is in its "OFF" position. Disconnect the spark plug wire, and keep the wire away from the plug to prevent accidental starting.

Have your machine serviced by qualified repair personnel using only approved replacement parts. This will ensure that the machine remains safe to use.

Specific Safety Rules

To avoid injury, keep hands, fingers and feet away from the base plate. Grip the handle of the plate compactor firmly with both hands. If both hands are holding the handle and your feet are clear of the compactor base, your hands, fingers and feet cannot be injured by the compactor base.

Always operate the machine from behind, never pass or stand in front of the machine when the engine is running.

Never place tools or any other items under the plate compactor.

If the unit strikes a foreign object, stop the engine, disconnect the spark plug, thoroughly inspect the machine for any damage, and repair the damage before restarting and operating the machine.

Do not overload the machine capacity by compacting too deep in a single pass or at too fast a rate.

Never operate the unit at high transport speeds on hard or slippery surfaces.

Exercise extreme caution when operating on or crossing gravel drives, walks, or roads. Stay alert for hidden hazards or traffic. Do not carry passengers.

Never leave the operating position while working or leave the plate compactor unattended when the engine is running.

Always stop the engine when you stop working or when walking from one location to another.

Stay away from the edges of ditches and be careful not to cause the plate compactor to topple over.

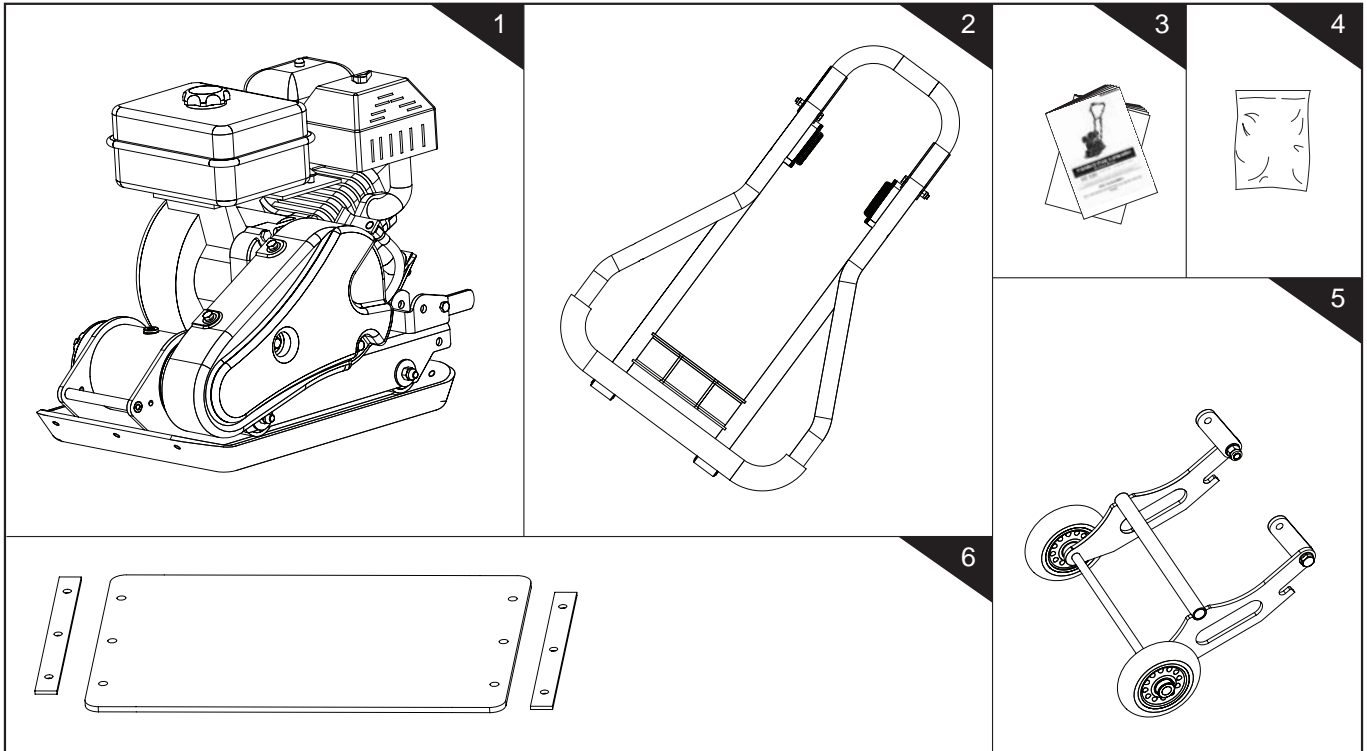
Always ascend slopes carefully, in a direct path and in reverse to present the plate compactor from toppling over onto the operator.

Always park the unit on a firm and level surface and shut the tool off.

To reduce exposure to vibration, limit the hours of operation and take periodic breaks to minimize repetition and rest your hands. Reduce the speed and force in which you do the repetitive movement. Try to vary the jobs you do each day so that you are not frequently using hand-held power equipment.

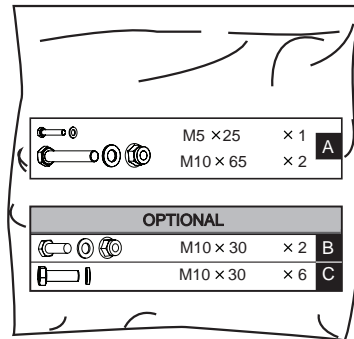
CONTENTS SUPPLIED

The plate compactor comes partially assembled and is shipped in a carefully packed carton. After all the parts have been removed from the carton, you should have:



1. Plate Compactor Chassis with Engine and Transmission
2. Handle
3. Operator's Manual & Engine Manual

4. Hardware Bag, including

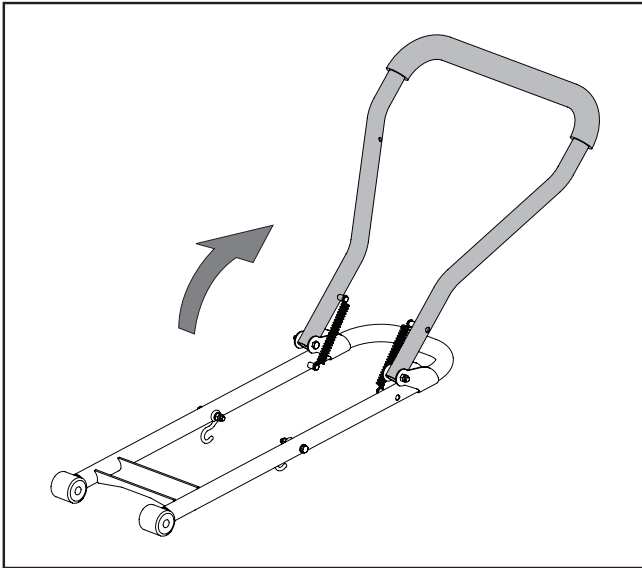


5. Folding Wheels Kit (Optional)
6. Paving Pad Kit (Optional)

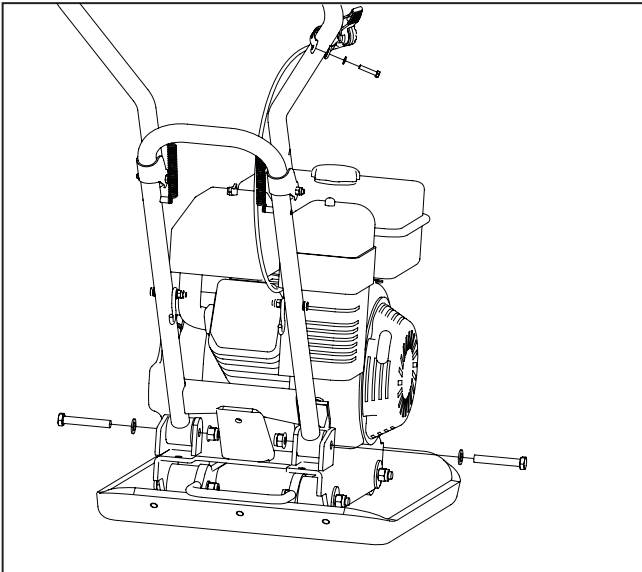
ASSEMBLY

Following the assembly directions, you should be able to assemble the plate compactor in a few minutes.

Handle



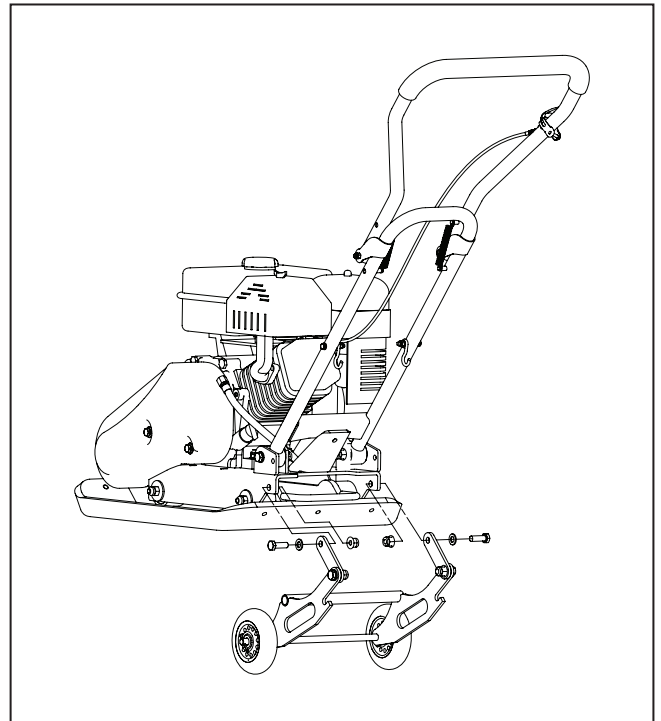
1. Unfold the Handle as shown.



	M5 × 25	× 1	A
	M10 × 65	× 2	

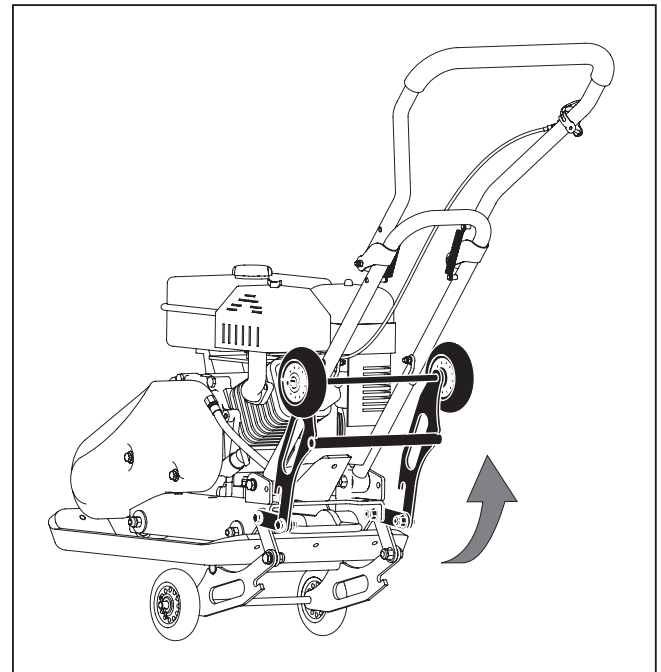
2. Mount the Handle as shown. Slot the Handle Ends into the channels provided by the Engine Deck. Place flat washers M10, followed by hex bolts M10x65 at the outer side, and tighten with lock nuts M10 at the inner side.
3. Secure the Throttle Control onto the Upper Handle with a flat washer M5 and a bolt 5x25.
4. Fasten the Throttle Control cable with cable fasteners.

Folding Wheel Kit (Optional)



	M10 × 30	× 2	B
--	----------	-----	----------

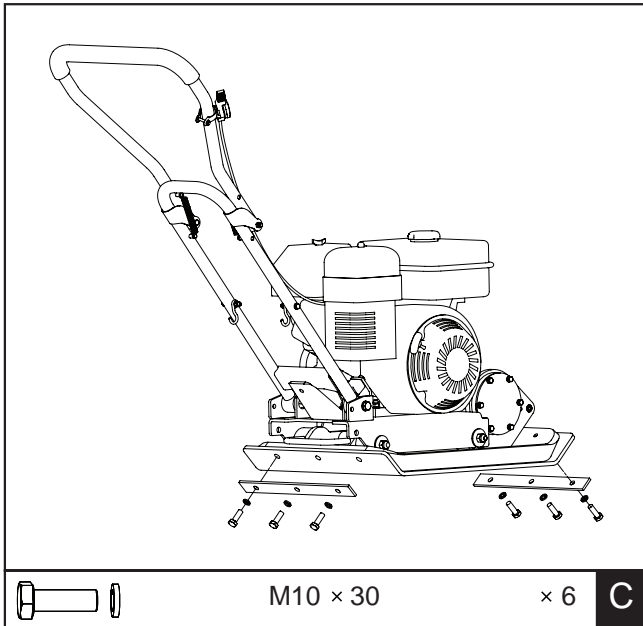
Line up the holes in the Link Plates and Engine Deck. Slide bolts M10x30 through the holes from one side, then lock nuts M10 from the other side. Tighten them down.



Before compacting, fold up the Wheel Kit as shown.


Paving Pad Kit (Optional)

The transparent rubber Paving Pad allows you to compact concrete paving slabs, stones, bricks and blocks quietly and gently.



Attach the Paving Pad onto the Base Plate as shown. Align the holes in the Base Plate, Paving Pad and Clamp Plates, and secure it with lock washers 10 and bolts M10x30.

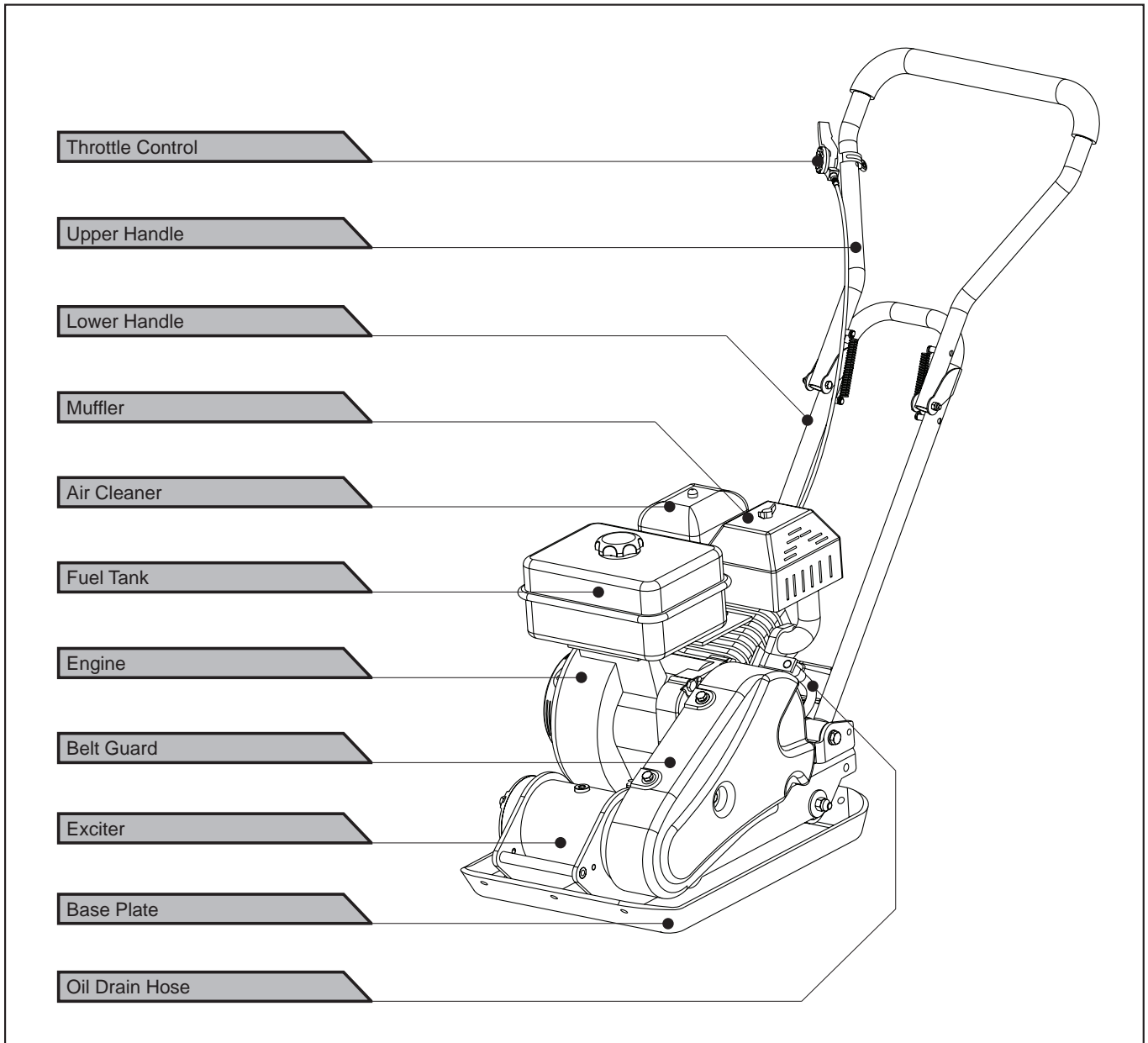
Engine oil

 Oil has been drained for shipping. Failure to fill the engine sump with oil before starting the engine will result in permanent damage and will void the engine warranty.

Add oil according to the Engine Manual packed separately with your compactor.

KNOW YOUR COMPACTOR

Features and Controls



Fuel Valve Control

The fuel valve opens and closes the passage between the fuel tank and the carburettor. The fuel valve lever must be in the ON position for the engine to run. When the engine is not in use, leave the fuel valve lever in the OFF position to prevent the carburettor flooding and to reduce the possibility of fuel leakage.

Throttle Control

The throttle lever controls engine speed. Moving the throttle lever makes the engine run faster or slower.

Engine Switch

The engine switch enables and disables the ignition system. The engine switch must be in the ON position for the engine to run. Turning the engine switch to the OFF position stops the engine.

Choke Lever

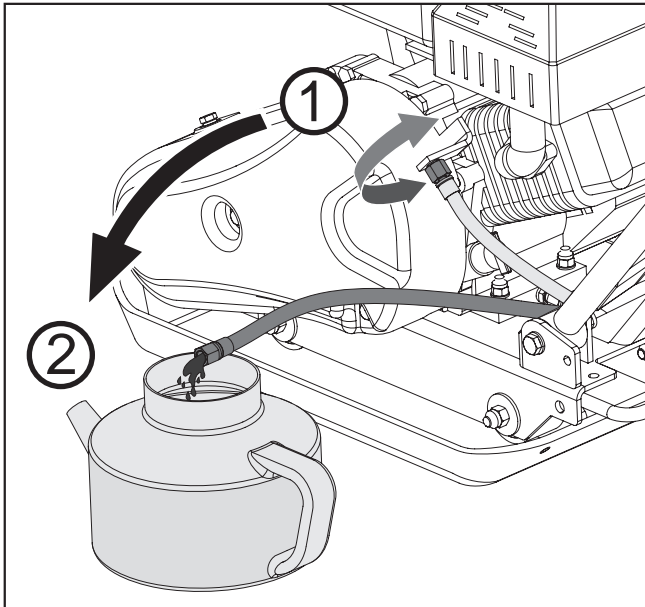
The choke lever opens and closes the choke valve in the carburettor. The closed position enriches the fuel mixture for starting a cold engine.

The open position provides the correct fuel mixture for operation after starting, and for restarting a warm engine. Some engine applications use a remotely-mounted choke control rather than the engine-mounted choke lever.

Recoil Starter Grip

Pulling the starter grip operates the recoil starter to crank the engine.

Oil Drain Hose



Running the engine with dirty oil can cause premature engine wear and failure. Changing oil regularly is extremely important. The flexible oil drain hose is equipped to drain oil into the appropriate receptacle.

Exciter

An eccentric weight mounted on the exciter shaft contained within the exciter housing is driven at high speed by a clutch and belt drive system. This high speed shaft revolution causes the rapid lifting and downward ramming motion of the machine as well as imparting a forward motion.

Compactor Operation

Adding fuel

Fill the fuel tank as instructed in the separate Engine Manual packed with the Plate Compactor.

More detailed description of the engine operation and all related precautions and procedures can be found in the Engine Manual packed separately with the unit.

Starting the engine

1. Move the fuel valve lever to the ON position.
2. To start a cold engine, move the choke to the CLOSE position.
To restart a warm engine, leave the choke lever in the OPEN position.
3. Move the throttle lever away from the SLOW position, about 1/3 of the way toward the FAST position.
4. Turn the engine switch to the ON position.
5. Operate the starter.

Recoil Starter

Pull the starter grip lightly until you feel resistance, then pull briskly, return the starter grip gently.

If the choke lever has been moved to the CLOSE position to start the engine, gradually move it to the open position as the engine warms up.

Operating



Do not operate the plate on concrete or on extremely hard, dry, compacted surfaces. The plate will jump rather than vibrate and could damage both the plate and engine.

1. After the engine warms up, pull throttle lever to accelerate the engine speed. The plate will begin vibrating and move forward.
2. The plate compactor is designed to run at an engine speed (engine take off shaft) of 3600 rpm (normally considered full throttle). Running the engine at lower rpms will result in a decrease of compaction force and lower travel speed. It will create excessive "out-of-synch" vibrations resulting in poor compaction, maneuverability, excessive wear to the machine, and discomfort to the operator.
3. In operation, guide the machine, but let the compactor do the work. Bearing down on the handle is unnecessary and causes shock absorber wear.

- On level surfaces the compactor moves forward rapidly. On uneven surfaces or inclines, light forward pressure on handle may be required to assist the compactor in moving forward.
- The number of passes required to reach a desired compaction level will depend on the type and moisture content of soil. Maximum soil compaction has been reached when excessive kickback is noticed.



When using a compactor on asphalt, a Water Sprinkler Kit is required to help prevent the bottom plate from adhering to the hot asphalt surface.



When using the plate on paving stones, attach a pad to the bottom of the plate to prevent chipping or grinding the surface of the stones. A special urethane pad designed for this purpose is available as an optional accessory.



While a certain amount of moisture in the soil is necessary, excessive moisture may cause soil particles to stick together and prevent good compaction. If soil is extremely wet, allow it to dry somewhat before compacting.



If soil is so dry as to create dust clouds while operating the plate, some moisture should be added to the ground material to improve compacting. This will also reduce service to the air filter.

Stopping the engine

To stop the engine in an emergency, simply turn the engine switch to the OFF position. Under normal conditions, use the following procedure.

- Move the throttle lever to the SLOW position.
- Let engine idle for one or two minutes.
- Turn the engine switch to the OFF position.
- Turn the fuel valve lever to the OFF position.



Do not move the choke control to CLOSE to stop the engine. Backfire or engine damage may occur.

Idle speed

Set the throttle control lever to its “low” position to reduce stress on the engine when compacting is not being performed. Lowering the engine speed to idle the engine will help extend the life of the engine, as well as conserve fuel and reduce the noise level of the machine.

MAINTENANCE

Maintaining your compactor will ensure long life to the machine and its components.

Preventive Maintenance

- Turn off the engine. The engine must be cool.
- Keep the engine’s throttle lever in its SLOW position, and remove the spark plug wire from the spark plug and secure.
- Inspect the general condition of the plate compactor. Check for loose screws, misalignment or binding of moving parts, cracked or broken parts, and any other condition that may affect its safe operation.
- Remove all debris from the plate compactor with a soft brush, vacuum, or compressed air. Then use a premium quality lightweight machine oil to lubricate all moving parts.
- Clean the bottom of the compactor base as soon as it begins to pick up soil being compacted. The unit cannot do a good job if the bottom surface is not smooth and clean.
- Replace the spark plug wire.




Never use a “pressure washer” to clean your plate compactor. Water can penetrate tight areas of the unit and cause damage to spindles, pulleys, bearings, or the engine. The use of pressure washers will result in shortened life and reduce serviceability.

Checking V-Belt(s)

To ensure optimum power transmission from the engine to the eccentric shaft, the V-belt(s) must be in good condition and operate under proper tension.

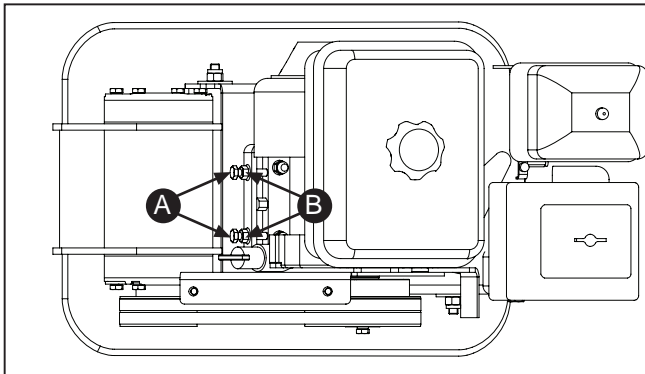
1. Turn off the engine. The engine must be cool.
2. Remove the belt guard to access the V-belt(s).
3. Check the condition of the V-belt(s). If any V-belt is cracked, frayed, or glazed, it should be replaced as soon as possible.
4. Check the V-belt tension by squeezing them in the centre. The normal deflection on each side should be 9mm (3/8") to 13mm (1/2") with moderate pressure from your thumb or finger.

 *On new machines or after installing a new belt, check the belt tension after the first 20 hours of operation. Check and adjust the belt every 50 hours thereafter.*

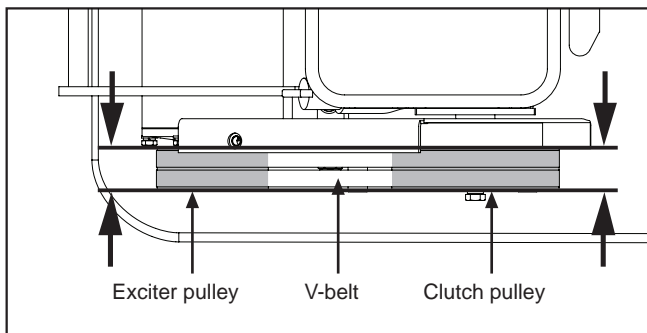
Tensioning V-Belt(s)

Proper belt tension is critical to good performance. Proper adjustment will ensure long belt life. Too much or too little belt tension will cause premature belt failure.

1. Loosen the 4 engine mount bolts (do not remove) only enough to move the engine forward.



2. Loosen the jam nuts B, leaving enough space between the nut and bracket.
3. Push the engine toward the back of the plate by turning the adjustment bolts A to remove any slack in the V-belt(s).



When adjusting the belt(s), make sure that the clutch pulley is in alignment with the exciter pulley.

4. When the V-belt tension is correct, tighten the jam nuts B against the bracket.
5. Tighten the engine mount bolts.
6. Replace the belt guard.



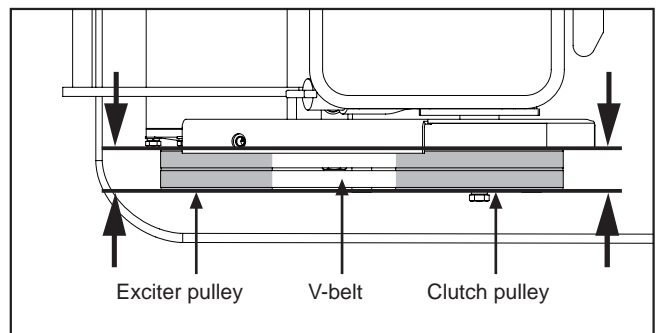
If the adjustment bolts cannot be adjusted any further, the belt(s) may have to be replaced.

Replacing V-Belt(s)



For #29142 & #29155, both V-belts should be replaced at the same time because they will wear evenly through normal use. Work on one belt at a time.

1. Loosen the 4 engine mount bolts (do not remove) only enough to move the engine forward.
2. Loosen the jam nuts B and bolts A shown in the above figure.
3. Slide the engine toward the front of the plate and slip the old V-belt(s) off of the wheel pulley and install the new V-belt(s) in their place.
4. Position the V-belt(s) over the engine pulley.
5. Move the engine back.



When adjusting the belt(s), make sure that the clutch pulley is in alignment with the exciter pulley.

6. When the V-belt tension is correct, tighten the jam nuts B and the engine mount bolts.
7. Replace the belt guard.

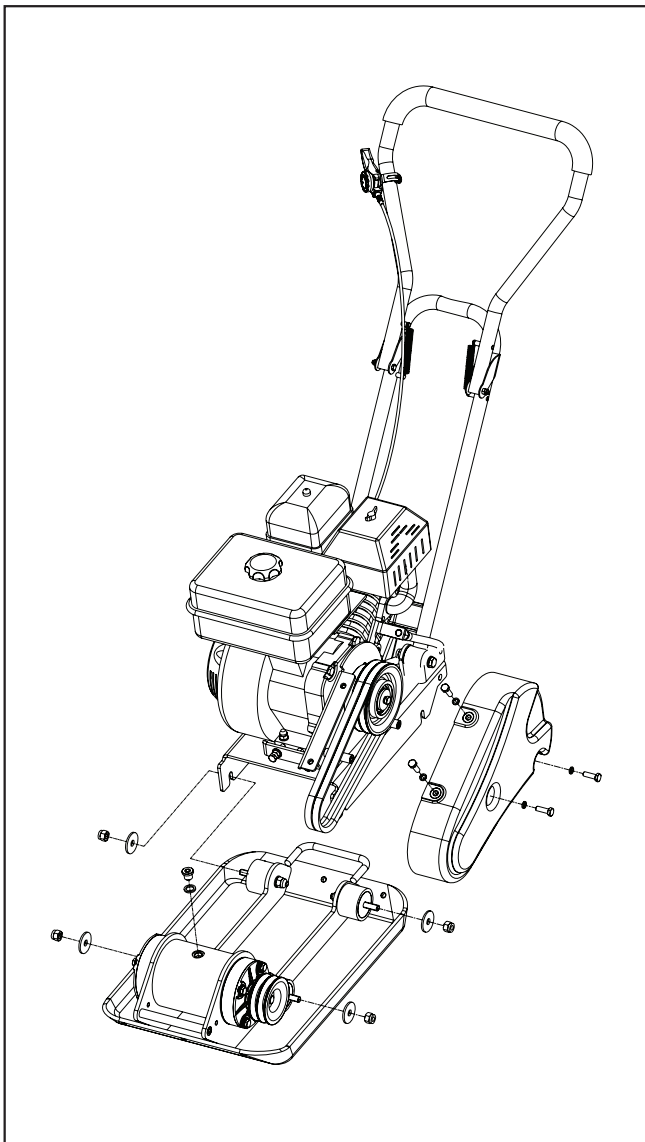


When removing or installing the drive belt(s), be careful not to get your fingers caught between the belt and the pulley.

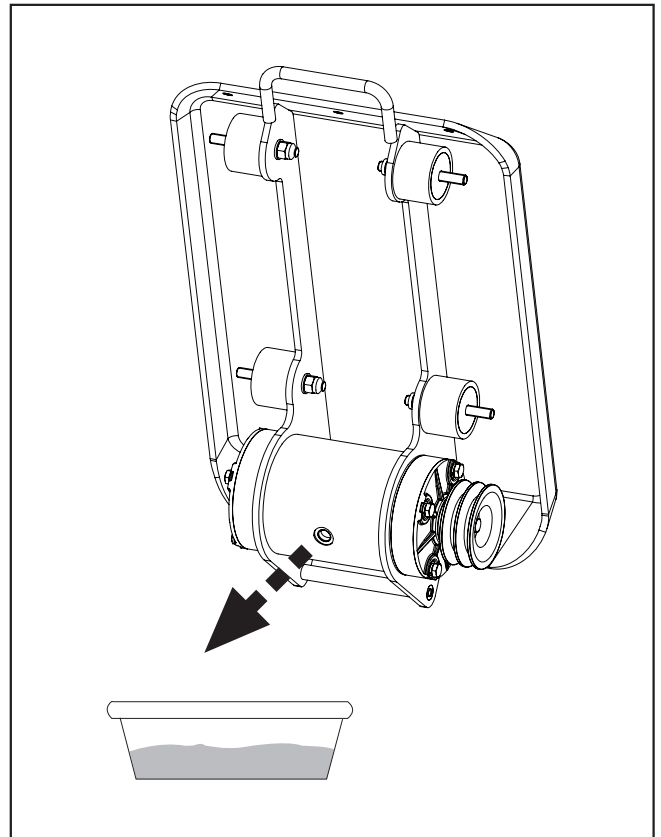
Exciter Lubrication

The exciter housing is pre-serviced using Automatic Transmission Fluid Dextron III, Mercon, EXXON (ESSO) NUTO H-32 or its equivalent. Change fluid after 200 hours of operation.

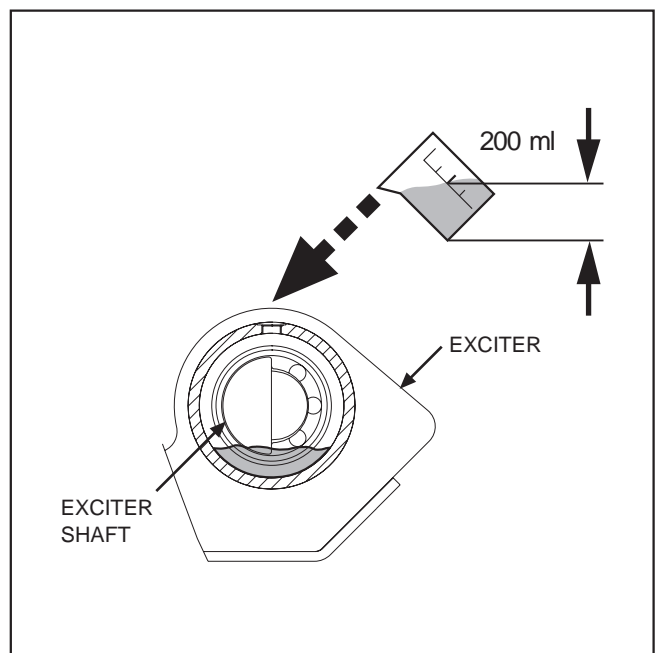
1. Let the exciter cool before changing the exciter oil.



2. Remove the belt guard and V-belt(s).
3. Remove the bolts that hold the deck to the housing.
4. Lift entire deck with engine from the housing.



5. Remove the pipe plug from the top of the exciter housing. Tilt the housing upside down so that the oil drains from the exciter. Examine oil for metal chips as a warning of future issues.
6. Return the plate housing to the upright position.



7. Fill the exciter housing with exciter oil.



Do not overfill – overfilling can result in excessive temperatures in the exciter.

8. Apply pipe sealant to the pipe plug and reinstall it into the top of the exciter housing.
9. Reinstall the deck, V-belt(s) and belt guard.

Engine maintenance

Refer to the Engine Manual included in your plate compactor for the information on engine maintenance. Your engine manual provides detailed information for performing the tasks.

STORAGE

If the plate compactor will not be used for a period longer than 30 days, follow the steps below to prepare your unit for storage.

1. Drain the fuel tank completely. Stored fuel containing ethanol or MTBE can start to go stale in 30 days. Stale fuel has a high gum content and can clog the carburettor and restrict fuel flow.
2. Start the engine and allow it to run until it stops. This ensures no fuel is left in the carburettor. Run the engine until it stops. This helps prevent deposits from forming inside the carburettor and possible engine damage.
3. While the engine is still warm, but not hot, drain the oil from the engine. Refill with fresh oil of the grade recommended in the Engine Manual.
4. Allow the engine to cool. Remove the spark plug and put 60 ml of SAE-30 high quality motor oil into the cylinder. Pull the starter rope slowly to distribute the oil. Replace the spark plug.

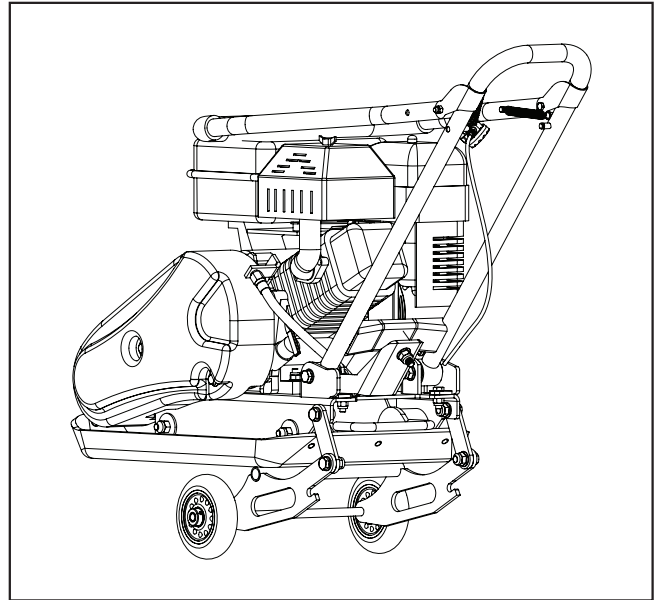


Remove the spark plug and drain all of the oil from the cylinder before attempting to start the unit after storage.

5. Use clean cloths to clean off the outside of the compactor and to keep the air vents free of obstructions.



Do not use strong detergents or petroleum based cleaners when cleaning plastic parts. Chemicals can damage plastics.



6. Carefully fold the upper handle down. Do not allow control cables to become pinched or bent.
7. Store your plate compactor in an upright position in a clean, dry building that has good ventilation.



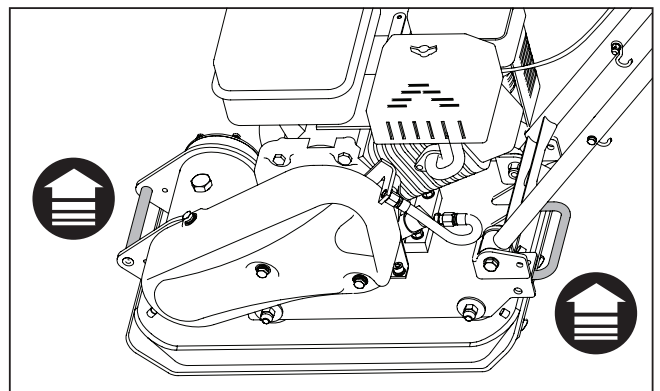
Do not store the compactor with fuel in a non-ventilated area where fuel fumes may reach a flame, sparks, pilot lights or any ignition sources.

Use only approved fuel containers.

LIFTING / TRANSPORTING

The 29140 model is 53kg, the 29142 model is 63kg.

To avoid burns or fire hazards, let the engine cool before lifting or transporting the machine or storing indoors.



The unit can be lifted by the handles at the front and back of the unit as shown.

The unit must be transported in the upright position to prevent fuel from spilling. Do not lay the machine on its side or top.

Secure or tie down the unit using the lifting handle to prevent the machine from sliding or tipping over.

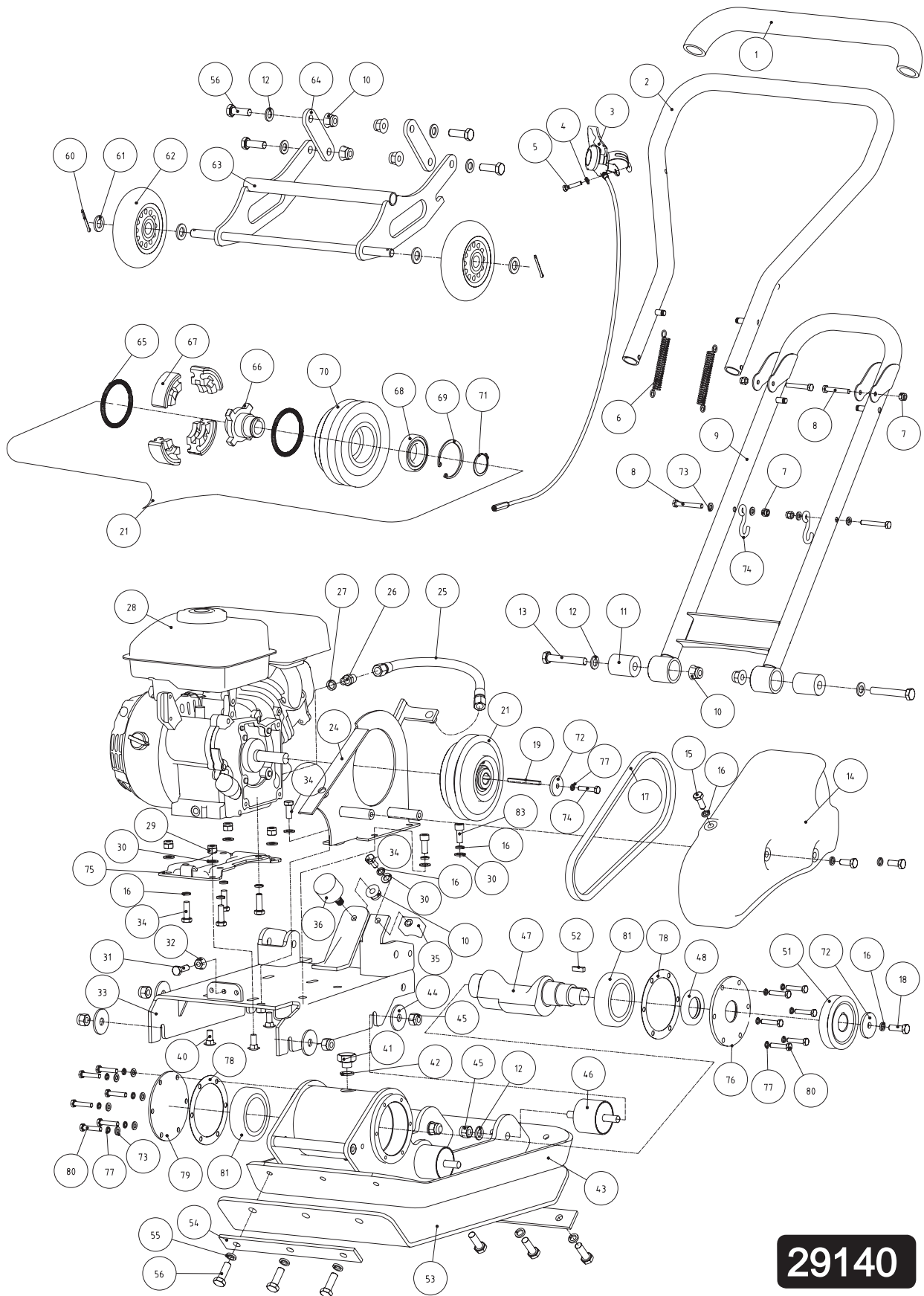


The machine may fall and cause damage or injury if lifted incorrectly. Lift using handles at the base of the plate.

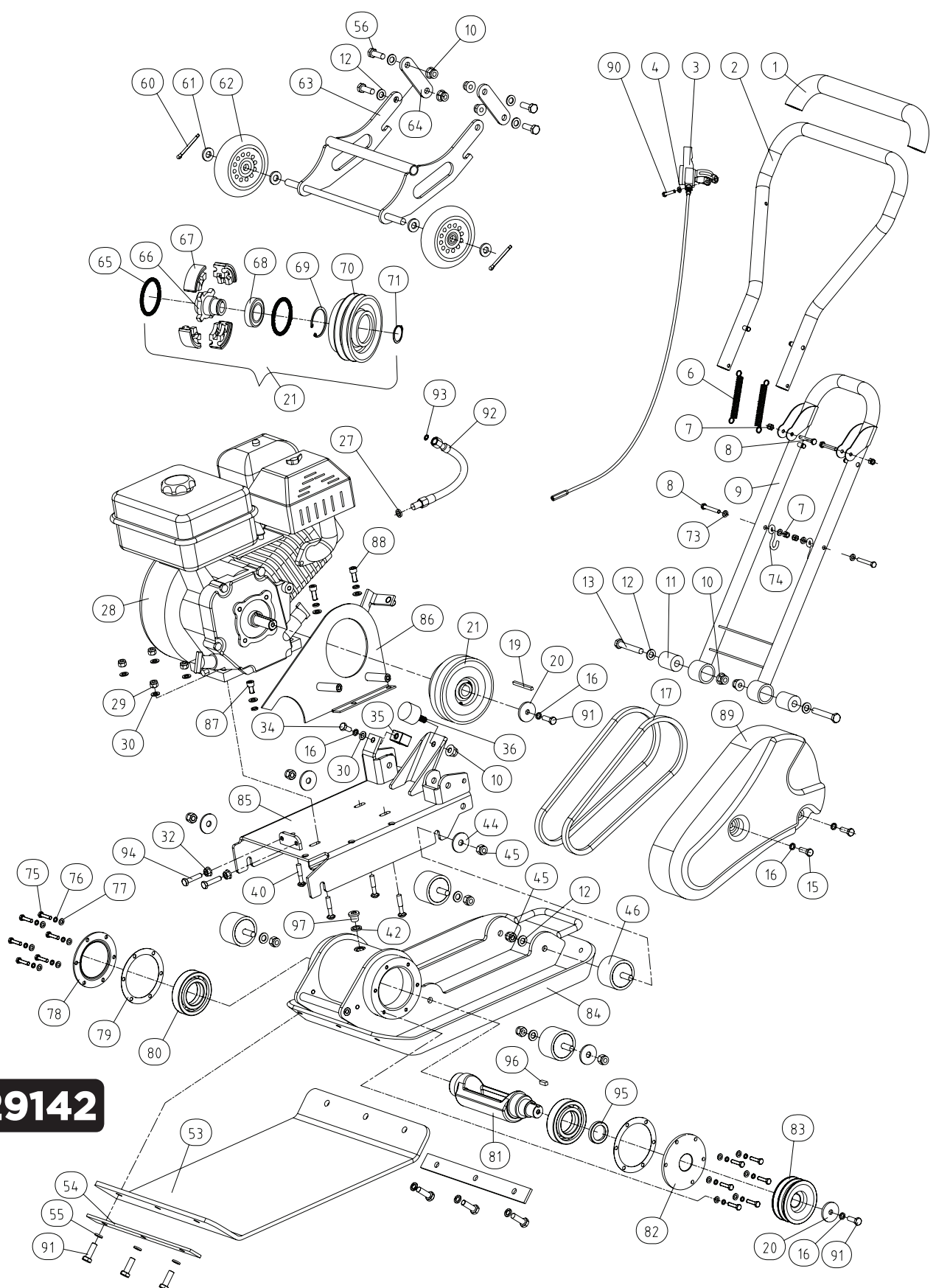
TROUBLE SHOOTING

Problem	Cause	Remedy
Engine fails to start.	<ol style="list-style-type: none"> 1. Spark plug wire disconnected. 2. Out of fuel or stale fuel. 3. Throttle control lever not in the correct starting position. 4. Choke not in ON Position. 5. Blocked fuel line. 6. Fouled spark plug. 7. Engine flooding. 	<ol style="list-style-type: none"> 1. Attach spark plug wire securely to the spark plug. 2. Fill with clean, fresh petrol. 3. Move throttle control lever to the start position. 4. Throttle must be positioned at choke for a cold start. 5. Clean the fuel line. 6. Clean, adjust gap, or replace. 7. Wait a few minutes to restart, but do not prime.
Engine runs erratically.	<ol style="list-style-type: none"> 1. Spark plug wire loose. 2. Unit running on CHOKE. 3. Blocked fuel line or stale fuel. 4. Vent plugged. 5. Water or dirt in fuel system. 6. Dirty air cleaner. 	<ol style="list-style-type: none"> 1. Connect and tighten the spark plug wire. 2. Move the choke lever to OFF. 3. Clean the fuel line. Fill the tank with clean, fresh petrol. 4. Clear vent. 5. Drain fuel tank. Refill with fresh fuel. 6. Clean or replace air cleaner.
Engine overheats.	<ol style="list-style-type: none"> 1. Engine oil level low. 2. Dirty air cleaner. 3. Air flow restricted. 	<ol style="list-style-type: none"> 1. Fill the crankcase with proper oil. 2. Clean the air cleaner. 3. Remove the blower housing and clean.
Engine will not stop when throttle control is positioned at stop, or engine speed does not increase properly when the throttle control is adjusted.	Debris interfering with the throttle linkage.	Clean dirt and debris.
Compactor is difficult to control during use (machine jumps or lurches forward)	Too high engine speed on hard ground.	Set the throttle lever at a lower speed.

PARTS DIAGRAM



29140



29142



THLC29140

Item No	Part No.	Description	Qty
1	TH192-1	GRIP	1
2	TH192-2	UPPER HANDLE	1
3	TH192-3	THROTTLE CONTROL	1
4	TH192-4	FLAT WASHER 5	1
5	TH192-5	BOLT M5X25	1
6	TH192-6	SPRING	2
7	TH192-7	LOCK NUT M6	4
8	TH192-8	BOLT M6X40	4
9	TH192-9	LOWER HANDLE	1
10	TH192-10	LOCK NUT M10	7
11	TH192-11	RUBBER SLEEVE	2
12	TH192-12	FLAT WASHER 10	10
13	TH192-13	BOLT M10X65	2
14	TH192-14	BELT GUARD	1
15	TH192-15	BOLT M8X25	3
16	TH192-16	LOCK WASHER 8	12
17	TH192-17	V-BELT	1
18	TH192-18	BOLT M8X30	1
19	TH192-19	KEY B5X35	1
21	TH192-21	CENTRIFUGAL CLUTCH	1
24	TH192-24	BRACKET	1
25	TH192-25	HOSE	1
26	TH192-26	COUPLER	1
27	TH192-27	WASHER	1
28	TH192-28	ENGINE	1
29	TH192-29	LOCK NUT M8	4
30	TH192-30	WASHER 8	5
31	TH192-31	BOLT M8X35	1
32	TH192-32	NUT M8	1
33	TH192-33	ENGINE DECK	1
34	TH192-34	BOLT M8X16	6
35	TH192-35	SHOCK ABSORBER	1
36	TH192-36	SHOCK ABSORBER	1
40	TH192-40	BOLT M8X20	4
41	TH192-41	PLUG M14X1.5	1
42	TH192-42	WASHER 14	1

Item No	Part No.	Description	Qty
43	TH192-43	BASE PLATE	1
44	TH192-44	WASHER	4
45	TH192-45	LOCK NUT M10	4
46	TH192-46	SHOCK ABSORBER	8
47	TH192-47	EXCITER SHAFT	1
48	TH192-48	SEAL 30X42X7	1
51	TH192-51	PULLEY	1
52	TH192-52	KEY C6X20	1
53	TH192-53	PAVING PAD	1
54	TH192-54	CLAMP PLATE	2
55	TH192-55	LOCK WASHER 10	6
56	TH192-56	BOLT M10X30	10
60	TH192-60	PIN 3.2X30	2
61	TH192-61	Flat Washer 12	4
62	TH192-62	WHEELS	2
63	TH192-63	WHEEL BRACKET	1
64	TH192-64	LINK PLATE	2
65	TH192-65	SPRING	2
66	TH192-66	HUB	1
67	TH192-67	CLUTCH LINING	4
68	TH192-68	BALL BEARING 6006	1
69	TH192-69	SNAP RING 55	1
70	TH192-70	CLUTCH PULLEY	1
71	TH192-71	SNAP RING 30	1
72	TH192-72	WASHER	1
73	TH192-73	FLAT WASHER 6	4
74	TH192-74	WHEEL KID POTHOOK	2
75	TH192-75	ENGINE LINK	1
76	TH192-76	BEARING COVER L	1
77	TH192-77	LOCK WASHER 6	13
78	TH192-78	HOUSING WASHER	2
79	TH192-79	BEARING COVER R	1
80	TH192-80	BOLT M6X16	12
81	TH192-81	BALL BEARING	2
83	TH192-83	SCREW M8X16	2
84	TH192-84	BOLT M6X30	1



THLC29142

Item No	Part No	Description	Qty
1	TH192-1	Grip	1
2	TH192-2	Upper handle	1
3	TH192-3	Throttle Control	1
4	TH192-4	FlatT Washer 5	1
5	TH192-5	Bolt M5X25	1
6	TH192-6	Spring	2
7	TH192-7	Lock Nut M6	4
8	TH192-8	Bolt M6X40	4
9	TH192-9	Lower Handle	1
10	TH192-10	Lock Nut M10	7
11	TH192-11	Rubber Sleeve	2
12	TH192-12	Flat Washer 10	10
13	TH192-13	Bolt M10X65	2
14	TH193-14	Belt Guard	1
15	TH192-15	Bolt M8X25	4
16	TH192-16	Lock Wsher 8	15
17	TH193-17	V-Belt	2
18	TH192-18	Bolt M8X30	2
19	TH192-19	Key B5X35	1
20	TH193-20	Washer	2
21	TH193-21	Centrifugal Clutch	1
22	TH193-22	Washer 37X20X2	1
23	TH193-23	Screw M8X16	4
24	TH193-24	Bracket	1
25	TH192-25	Hose	1
26	TH193-26	Coupler	1
27	TH192-27	Washer	1
28	TH193-28	Engine	1
29	TH192-29	Lock Nut M8	4
30	TH192-30	Washer 8	13
31	TH192-31	Bolt M8X35	2
32	TH192-32	Nut M8	2
33	TH192-33	Engine Deck	1
34	TH192-34	Bolt M8X16	1

Item No	Part No	Description	Qty
35	TH192-35	Shock Absorber	1
36	TH192-36	Shock Absorber	1
37	TH193-37	Bearing Cover	1
38	TH193-38	O-RING 80X2.65	2
39	TH193-39	Bearing	2
40	TH192-40	Bolt M8X35	4
41	TH192-41	Plug M14X1.5	1
42	TH192-42	Washer 14	1
43	TH193-43	Base Plate	1
44	TH192-44	Washer	4
45	TH192-45	Lock Nut M10	8
46	TH192-46	Shock Absorber	4
47	TH193-47	Exciter Shaft	1
48	TH192-48	Seal 30X42X7	1
49	TH193-49	Bearing Cover	1
50	TH193-50	Bolt M8X20	8
51	TH193-51	Pulley	1
52	TH192-52	Key C6X20	1
53	TH193-53	Paving Pad	1
54	TH193-54	Clamp Plate	2
55	TH192-55	Lock Washer 10	6
56	TH193-56	Bolt M10X30	10
60	TH192-60	Pin 3.2x30	2
61	TH192-61	Flat Washer 12	4
62	TH192-62	Wheel	2
63	TH192-63	Wheel Bracket	1
64	TH192-64	Link Plate	2
65	TH192-65	Spring	2
66	TH193-66	Hub	1
67	TH192-67	Clutch Lining	4
68	TH192-68	Ball Bearing 6006	1
69	TH192-69	Snap Ring 55	1
70	TH193-70	Clutch Pulley	1
71	TH192-71	Snap Ring 30	1



EC Declaration of Conformity

We, Importer
Handy Distribution
SN3 4NS

Declare that the product
Designation: Vibration plate compactor
Model: THLC29140

Complies with the following directives:
2006/42/EC - Machinery Directive

The conformity assessment procedure followed was in accordance with
Directive 2006/42/EC

Name of the Notified Body: TÜV SÜD Product Service GmbH, Zertifizierstelle, Ridlerstraße 65,
80339 München, Germany

- Guaranteed Sound Power Level: 104 dB (A)

Standards and technical specifications referred to:
2000/14/EC, Annex VI
2005/88/EC
2006/42/EC / Annex 1 – EN 500-4/ Annex 1: 2009

Authorised signatory and technical file holder

Date: 18/11/2012

Signature:

A handwritten signature in black ink, appearing to read 'S Belcher', written over a horizontal line.

Name / title: Mr. Simon Belcher / Managing Director
Hobley Drive, Stratton St Margaret, Swindon, Wiltshire, SN3 4NS.



EC Declaration of Conformity

We, Importer
Handy Distribution
SN3 4NS

Declare that the product
Designation: Vibration plate compactor
Model: THLC29142

Complies with the following directives:
2006/42/EC - Machinery Directive

The conformity assessment procedure followed was in accordance with
Directive 2006/42/EC

Name of the Notified Body: TÜV SÜD Product Service GmbH, Zertifizierstelle, Ridlerstraße 65,
80339 München, Germany

- Guaranteed Sound Power Level: 105 dB (A)

Standards and technical specifications referred to:
2000/14/EC, Annex VI
2005/88/EC
2006/42/EC / Annex 1 – EN 500-4/ Annex 1: 2009

Authorised signatory and technical file holder

Date: 18/11/2012

Signature:

Name / title: Mr. Simon Belcher / Managing Director
Hobley Drive, Stratton St Margaret, Swindon, Wiltshire, SN3 4NS.

To order spare parts and see the complete range of garden machinery and garden equipment from Handy, visit:

www.thehandy.co.uk

Spares & Support: 01793 333212

