



## **OPERATOR'S MANUAL & PARTSLIST**

### **MODEL – THLCHCM H-FRAME ELECTRIC CEMENT MIXER**



### **Spares & Support: 01793 333212**

Please read & understand this manual, paying particular attention to the safety instructions, before use.

The manufacturer reserves the right to change the product specification and livery according to continued product improvements.



# **CONTENTS**

**SPECIFICATIONS**

**SAFETY INSTRUCTIONS**

**OPERATING INSTRUCTIONS**

**MAINTENANCE & STORAGE**

**ASSEMBLY**

**PARTS DIAGRAM & LIST**

**GUARANTEE**

**NOTES**














# SPECIFICATIONS

Model	THLCHCM
Product Number	193821002
Motor Power	550 watt
Drum Diameter	570mm
Drum Opening	385mm
Drum Capacity	125 litre
Maximum Mixing Capacity	90 litre
Drum Speed	26.6rpm
Cable Length	1.7 metre
Protective System	IP45D
Overall Dimensions	(L)1200mm– (W)710mm – (H)1400mm
Unladen Weight	48kgs
Noise Level	90 dB(A)

**The manufacturer reserves the right to change the product specification and livery according to continued product improvements.**

# GENERAL SAFETY INSTRUCTIONS

Read and understand the owner's manual and labels affixed to the machine. Learn its application and limitations as well as the specific potential hazards. Retain these instructions for future reference. The operator is responsible for following the warnings & instructions in this manual and on the product.

	<p>Read &amp; understand operator's manual before using the machine. Failure to follow instructions could result in death or serious injury.</p>		<p>Always inspect the machine thoroughly before turning it on. Keep guards in place and in working order. Do not use the machine with the electric motor cover removed.</p>
	<p>Wear gloves to protect your hands</p>		<p>Do not start the motor if the drum is fully loaded. Do not turn the mixer off while full of concrete.</p>
	<p>Whenever the machine is in use, safety glasses must be worn to safeguard against flying objects.</p>		<p>Only use or operate the mixer on solid, flat, level ground that is capable to support the weight of the mixer and its load to prevent the mixer from tipping over. Do not attempt to move the mixer when it is loaded and/or in operation.</p>
	<p>Wear foot protection</p>		<p>Fire Risk Fire and its vapors are extremely flammable &amp; explosive. Fire or explosion can cause severe burns or death.</p>
	<p>Keep hands out of the way of all moving parts. Do not place any part of your body or any tool e.g. Shovel in the drum during operation. When operating, do not pass hands through the clearance between frame and support arm or between the drum and support arm.</p>		<p>Disconnect from power supply when not in use, before moving, making adjustments, changing parts, cleaning, or working on the mixer. Never open the motor cover before disconnecting the electrical plug from the power supply.</p>
	<p>Double insulated or class 2 electrical appliances are products that have been designed in a way so as not to require a safety connection to electrical earth (These products must NOT have a safety connection to Earth).</p>		
	<p>Keep all bystanders &amp; animals at least 10 metres away from the machine during operation. If approached, stop the machine immediately.</p>		<p>Acoustic power level LWA accordance with directive 2000/14/EC + 2005/88/EC (Please see machine &amp; specification within this manual for actual reading)</p>

### **STAY ALERT**

Do not operate the mixer while under the influence of drugs, alcohol, or any medication that could affect your ability to use it properly. Do not use this mixer when you are tired or distracted from the job at hand. Be aware of what you are doing at all times. Use common sense.

### **AVOID DANGEROUS CONDITIONS**

Make sure there is adequate surrounding workspace. Cluttered areas invite injuries.

Keep your work area clean with sufficient light. Keep area around the mixer clear of obstructions, grease, oil, rubbish and other debris which could cause persons to fall onto moving parts.

This mixer is intended for the production of concrete, mortar and plaster. It is not suitable for the mixing of flammable or explosive substances. Do not use it in areas where fumes from paint, solvents or flammable liquids pose a potential hazard.

### **INSPECT YOUR MACHINE**

Check all bolts, nuts, and screws for tightness before each use, especially those securing guards and drive mechanisms. Vibration during mixing may cause these to loosen.

Form a habit of checking to see that all the adjusting tools, shovels, hand trowels and other tools/equipment are removed from mixer area before turning it on.

Replace damaged, missing or failed parts before using it. Warning labels carry important information. Replace any missing or damaged warning labels.

### **DRESS PROPERLY**

Do not wear loose clothing, gloves, scarfs, neckties or jewelry (rings, wrist watches), which can be caught in moving parts. Protective electrically non-conductive gloves and non-skid footwear are highly recommended when working. Wear a face or dust mask if the operation is dusty. Always wear safety glasses/goggles and/or face shields. Everyday eyeglasses have only impact resistant lenses; they are not safety glasses/goggles. Wear protective hair covering to contain long hair, preventing it from getting caught in machinery.

### **DO NOT ABUSE CORD**

Never carry the mixer by the electrical cord or yank it to disconnect the plug from the mains supply.

Keep the cord from heat, oil and sharp edges.

### **EXTENSION CABLES**

Extension cables must be no longer than 50 metres in length. The cable section must be 1.5mm<sup>2</sup> & 230V to allow sufficient current flow to the motor. Improper use of extension cables may cause inefficient operation of the mixer, which can result in overheating and motor damage.

Only extension cords to H07RN-F specification intended for outdoor purpose may be used. Avoid use of free and inadequately insulated connections. Connections must be made with protected material suitable for outdoor use. Make sure that any extension cable connections are dry and safe. Ensure that the extension cable is carefully laid out avoiding liquids, sharp edges and places where vehicles might run over it. Avoid allowing the extension cable to be trapped underneath the mixer. Ensure your extension cable is fully extended to prevent overheating or the risk of fire.

### **AVOID ELECTRICAL SHOCK**

Check the electric circuit is adequately protected and that it corresponds with the power, voltage and frequency of the machines motor. Do not plug or unplug the motor while standing in or around damp or wet ground. Do not use the mixer in wet or damp areas or expose it to rain. Prevent body contact with grounded surfaces: pipes, radiators, ranges, and refrigerator enclosures.

Make sure your fingers do not touch the plug's metal prongs when plugging or unplugging the mixer.

### **KEEP BYSTANDERS AND CHILDREN AWAY**

Keep unauthorised persons a minimum distance of 10 metres away from the mixer. Do not allow children to handle, climb on or in the mixer.

### **DO NOT OVERREACH**

Keep proper footing and balance at all times when loading or unloading the mixer. Never stand on the mixer. Serious injury could occur if the mixer is tipped or if the moving parts are unintentionally contacted. Do not store anything above or near the mixer where anyone might stand on the mixer to reach them.

### **AVOID INJURY FROM UNEXPECTED ACCIDENT**

Keep hands out of the way of all moving parts. Do not place any part of your body or any tool e.g. Shovel in the drum during operation. When operating, do not pass hands through the clearance between frame and support arm or between the drum and support arm.

### **DO NOT FORCE TOOL**

Always work within the rated capacity. Do not use the mixer for a purpose for which it was not intended. The mixer is not to be towed by any vehicle.

### **NEVER LEAVE MIXER RUNNING UNATTENDED**

Do not leave the mixer unattended until it has come to a complete stop.

### **MAINTAIN YOUR MIXER WITH CARE**

Clean the mixer immediately after use. Keep the mixer clean to ensure it operates to its full and safest performance. When maintaining this mixer, only the manufacturer's original replacement parts should be used. The use of non-original manufacturer parts may invalidate your warranty.

### **PROTECT THE ENVIRONMENT**

Take left over materials to an authorised collection point or follow the stipulations in the country where the mixer is used. Do not discharge into drains, soil or water.

### **STORE IDLE EQUIPMENT**

When not in use, the mixer should be stored in a dry location. Keep the mixer away from children and others not qualified to use it.



Safety alert symbol. Used to alert you to potential personal injury hazards. Obey all safety messages that follow this symbol to avoid possible injury.



### **DANGER**

Indicates an imminently hazardous situation which, if not avoided, will result in serious injury.



### **WARNING**

Indicates a potentially hazardous situation which, if not avoided, could result in serious injury



### **CAUTION**

Indicates a potentially hazardous situation which, if not avoided, may result in minor or moderate injury.

### **CAUTION**


Used without the safety alert symbol indicates a potentially hazardous situation which, if not avoided, may result in property damage.

# ELECTRICAL CONNECTION



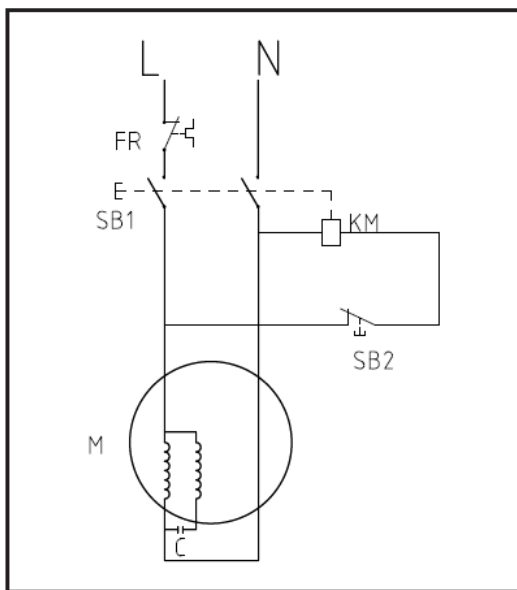
**Do not connect either core to the earth pin**

This mixer is double insulated to Class II protection and IP45D rated. The insulation will only remain effective if the original insulating parts are used for repairs and the spaces between the original insulation are maintained.

Double insulation  eliminates the need for a three-wire grounded power cord and grounded power supply system. Double insulated tools can use either a two or three wire extension cable.

The use of a Residual Current Device ("RCD"), on 230V electrics is recommended. If using an extension cable, plug it directly into the RCD.

## WIRING DIAGRAM



**NOTE: A built-in thermal protector is arranged in the motor to prevent it from overheating. The thermal protector restores automatically when the motor cools down.**



# MAINTENANCE & STORAGE



## WARNING

**Improper maintenance & storage of the machine may void your warranty. Keep the machine clean for better and safer performance.**

## MAINTENANCE

- Before each use, check all nuts & bolts to be sure they are sufficiently tightened.
- The drive belt is under constant even tension by a spring loaded jockey. No adjustment apart from a touch of grease on the spindle.
- The bearings are sealed for life.
- We recommend only manufacturer original parts are used when maintaining this machine. Failure to do so could invalidate your manufacturer's warranty.



## CAUTION

**Any maintenance and repairs carried out, to any electronic component must be undertaken by a qualified technician.**

## CLEANING

- Thoroughly clean the mixer at the end of each day's operation.
- Keep your mixer clean.
- The slightest trace of material left in the drum will harden and will attract more material each time you use it.
- Dried cement should be scraped out of the drum.
- Do not throw bricks into mixer drum to clean it out.
- Do not beat on the drum with a shovel, a hammer or other tools to break up accumulations of dried cement mix, as it may result in damage to the mixer.
- The drum may be scoured for approximate 2 minutes, using 1" gravel and water mixture. Then discharge the gravel/water mixture and hose down the drum assembly inside and out.
- The IP45D protection class construction of the concrete mixer enables you to hose down the drum assembly safely.



**Never put hands inside the drum when the drum is rotating**



## WARNING

**Do not pour or spray water directly over the motor cover, especially the openings in it.**

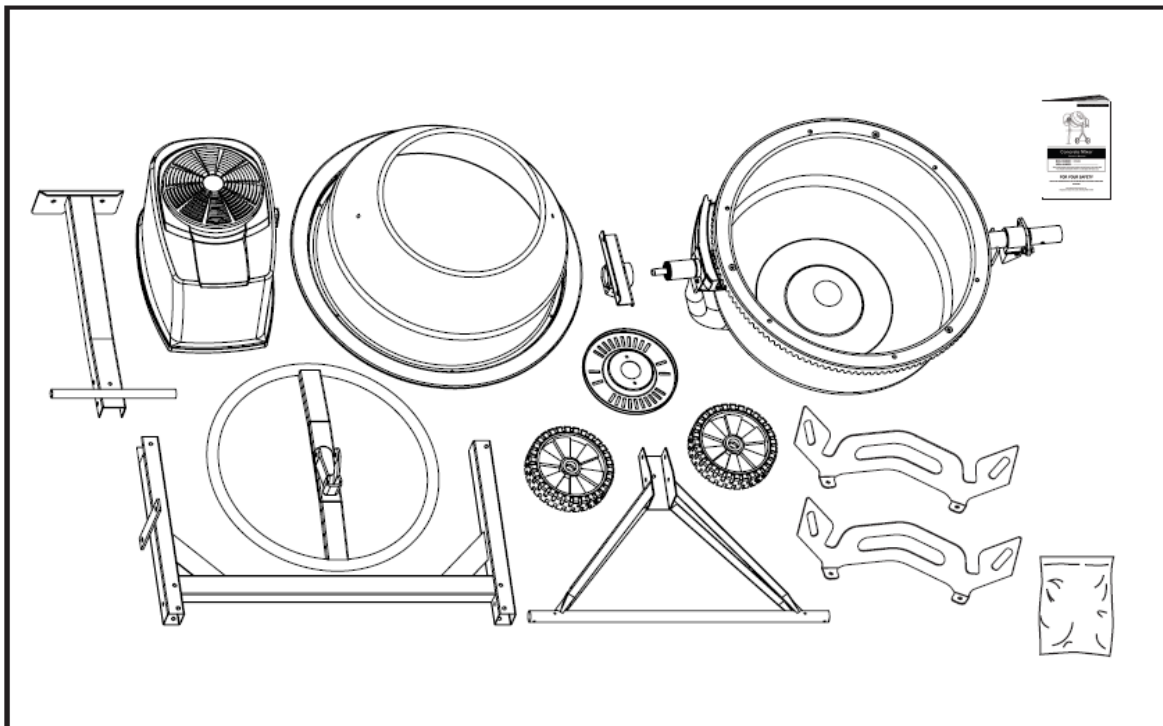
## CAUTION

Wipe off any external material on the motor cover. Do not use petrol, turpentine, lacquer or paint thinner, dry cleaning fluids or similar products. The use of chemical products or solvents may affect the properties of the cover which has been produced using high density polyethylene PET.

## STORAGE

- For years of trouble free service, make sure the Mixer is clean and dry before storing.
- Before storing, clean the Mixer thoroughly as indicated above.
- Store indoors or in a protected area during severe weather and winter months.

# COMPONENTS



		x 4	<b>A</b>
	M8 x 70	x 2	<b>B</b>
	M8 x 70	x 2	<b>C</b>
	M8 x 65	x 2	<b>D</b>
	Ø42	x 1	
	M8 x 20	x 2	<b>E</b>
	M8 x 16	x 6	<b>F</b>
	M8 x 20	x 2	
	M8 x 25	x 2	<b>G</b>
	M10 x 65	x 1	<b>H</b>
		x 1	
	M8	x 4	<b>I</b>

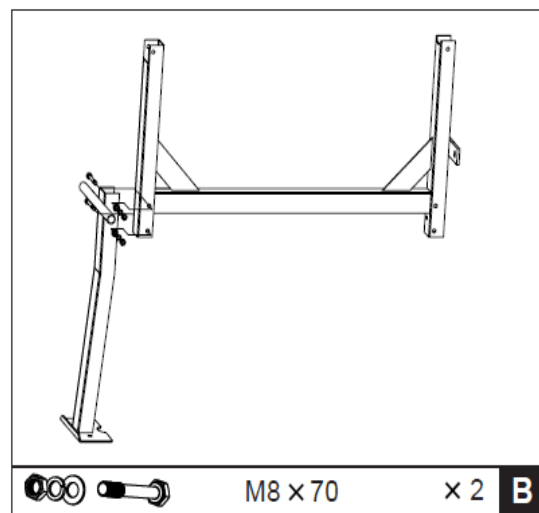
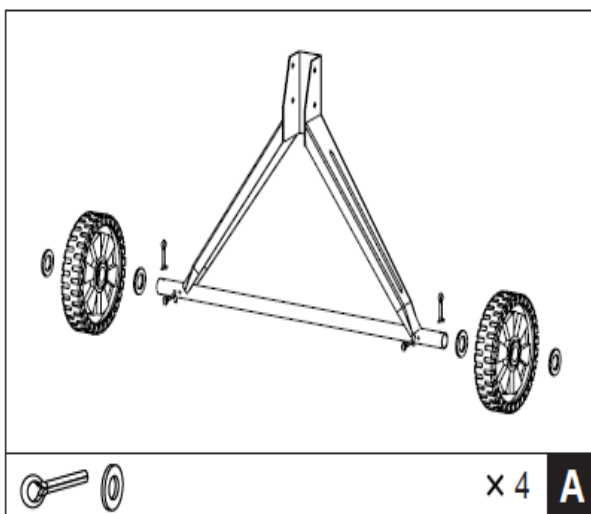
# ASSEMBLY

It is recommended that The H-Frame Cement Mixer is assembled by two persons.  
Remove the Mixer and contents from the carton. Be sure the carton is empty before discarding.  
If you require any assistance with regards to the contents of the Mixer, please contact us:  
**Tel: 01793 333212 - Mon – Fri 8.00am – 5.30pm (excl. Bank Holidays)**  
**Email: customerservice@handydistribution.co.uk**

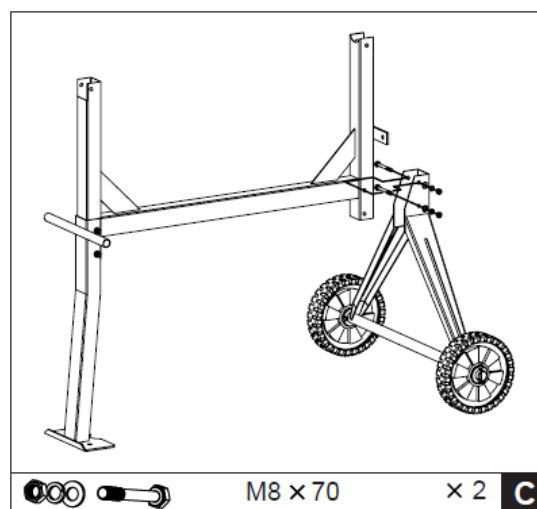
## STEP 1 – THE STAND

**A** - With a split pin inserted into the inner holes in each stub axle, place a flat washer, then a wheel followed by another flat washer. Insert another split pin into the axle holes outside each flat washer. Bend each side of the pins outward so they do not fall out.

**B** - With the frame lying on its side, attach the support leg as shown. Insert two M8X70 hex bolts through the holes from one side, followed by flat washers, lock washers and nuts from the other side. Tighten fully.



**C** - Turn the frame over and attach the axle bracket with wheel frame in the same manner. Make sure all bolts and nuts are tightened.

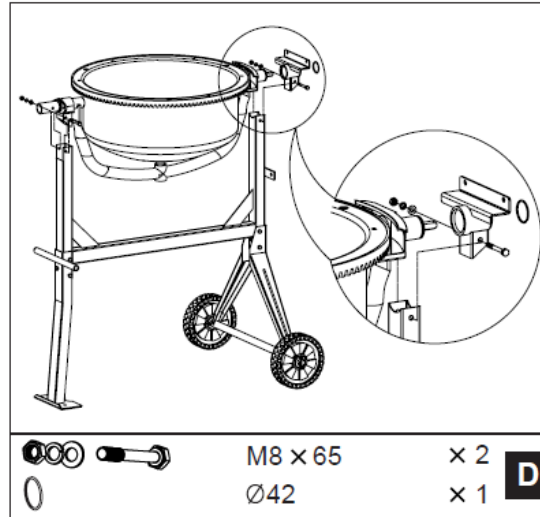


### STEP 2 – THE BOTTOM DRUM

**D** - Slide the bearing block on the shaft. Hold it in place with  $\varnothing 42$  spiral ring.

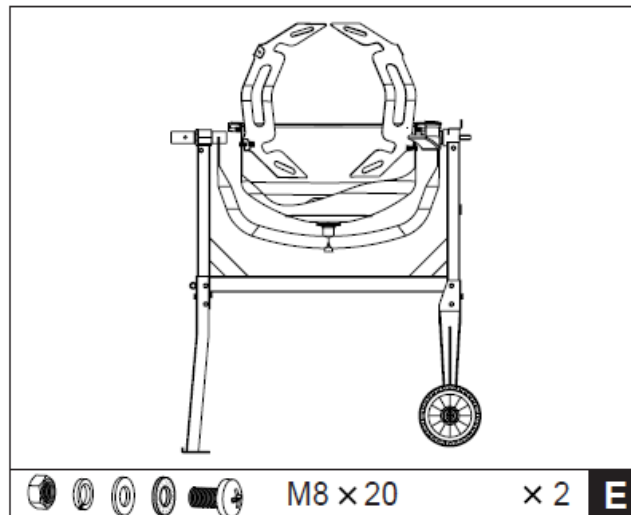
Carefully, and with two people, set the bottom drum with support arm onto the side supports of the stand as shown, so that the bearing blocks slot into the channels provided by the side supports. The larger diameter shaft should be at the leg end of the stand.

At each side, line up the holes in the side support with those in the bearing block and insert a M8x65 hex bolt from one side, then a flat washer, lock washer and nut from the other side. Tighten with a M8 spanner.



### STEP 3 – THE MIXING BLADES

**E** - Mount the mixing blades inside the bottom drum loosely as shown - Two holes are provided at the base of the drum into which a M8X20 bolt may be inserted from the outside. A rubber washer, flat washer, lock washer and nut should be threaded on loosely on the inside. The rubber washer should be placed under the blade down against the drum.



**NOTE:** Two arrow labels are affixed on the upper drum and bottom drum to assist you in lining them up to one another. If you have any difficulty in correctly positioning the mixing blades, it is helpful if you temporarily mount the upper drum on the top of the bottom drum, rotating it so that the two arrows line up.

#### STEP 4 – THE UPPER DRUM

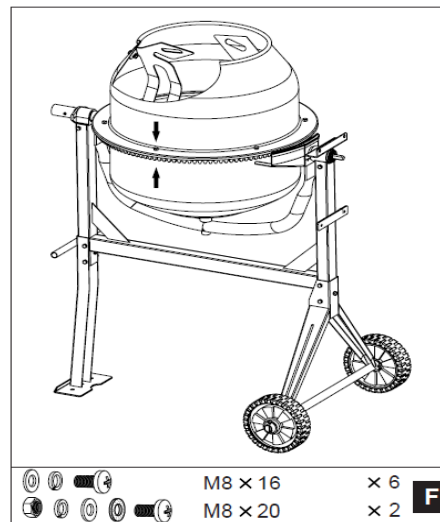
**F-** Position the upper drum onto the bottom drum over the rim, making sure the mounting holes align in both as well as the labeled arrows.

Screw a M8x16 hex bolt with lock and flat washers into each threaded hole in the rim/ring gear. Make sure the tightening process is carried out progressively.

Secure the mixing blades to the upper drum by inserting two M8x20 cross headed screws, from the outside through the holes in the drum.

A rubber washer should be positioned inside between the drum and blade. Secure the mixing blade on the inside using a flat washer, spring washer and nut.

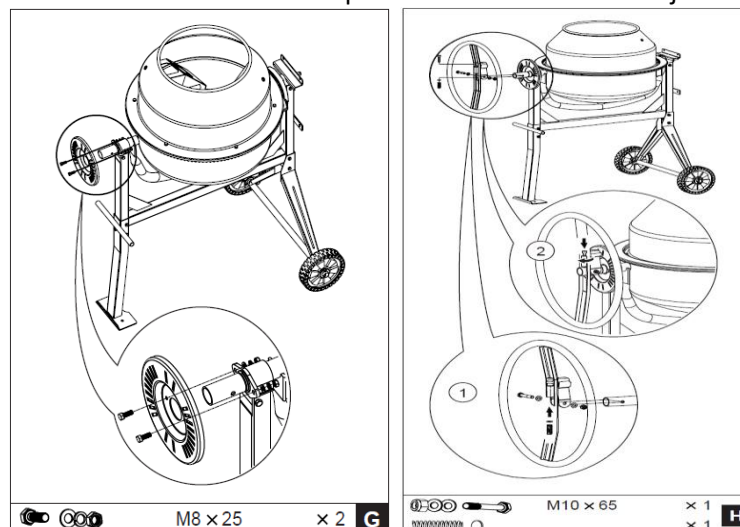
Finally, ensure top and bottom mixing blade mountings are tight.



#### STEP 5 – THE TIPPING WHEEL

**G** - Slide the locking plate over the large diameter shaft at the leg end of the frame with the rim facing inwards as shown. Secure with two M8x25 bolts, each with a nut, lock and flat washers.

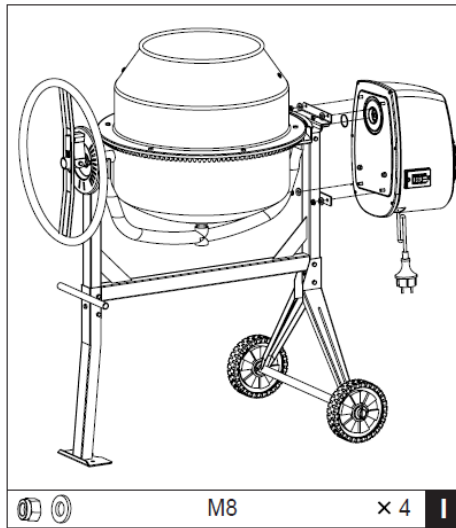
**H** - Insert the spring with the washer on the top into the sleeve on the tipping wheel. Slide the wheel over the larger diameter shaft until the holes in the bracket line up with the hole drilled. Insert a M10x65 hex bolt with a flat washer and screw on a nut with a flat washer from the other side. Screw the nut up against the bracket firmly, but not so tightly so as to prevent the wheel from pivoting about the bolt. Screw a M10x40 socket head cap screw on the sleeve to adjust the spring tension



**NOTE** - The wheel must be allowed to pivot about the bolt, so that the lugs on the bracket can be engaged or disengaged from the slots in the locking plate.

### STEP 6 – THE TRANSMISSION

I - Lining up the keyways, slide the transmission case over the pinion shaft. Secure the case to the frame with washer & M8 nut.



# OPERATION

- Before operating the machine, please ensure you are fully aware of the below instructions, failure to do so, could invalidate your manufacturer's warranty.
- Completely unwind any extension cable. Connect it to the mixer first, before plugging into the power supply.
- Always start the mixer before loading the drum.
- Load the drum with drum rotating.
- Do not throw material into the mixer, to avoid it sticking firmly to the back of the drum. Trickle it in steadily over the ram.

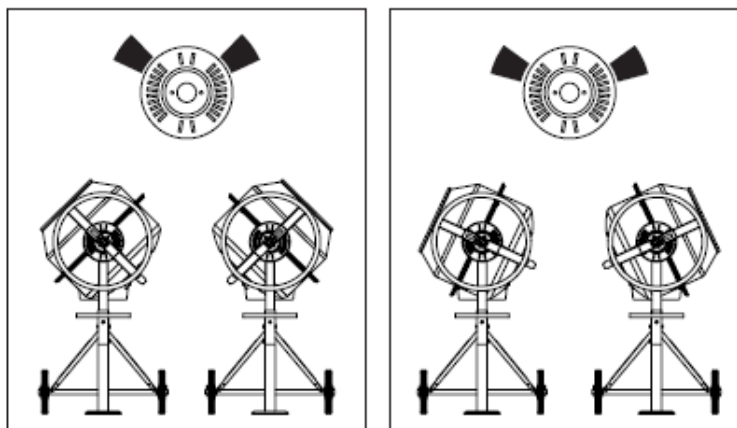
## DRUM TILTING

- The spring-loaded tipping wheel with locking lugs provides an easy positive control of the drum which can be locked in the mix, discharge and stored position.
- The drum is locked in position by lugs on the self-locating tipping wheel, which engages into the locking plate on the mixer frame. To tilt the drum, withdraw the tipping wheel to dis-engage the locking lugs. This then allows the tipping wheel and drum to be turned in the same direction.
- To retain the drum in position, aligning the lugs with the slots, release the tipping wheel a little, while retaining the drum. Rotate the tipping wheel until the locking lugs engage into the locking plate on the mixer frame.

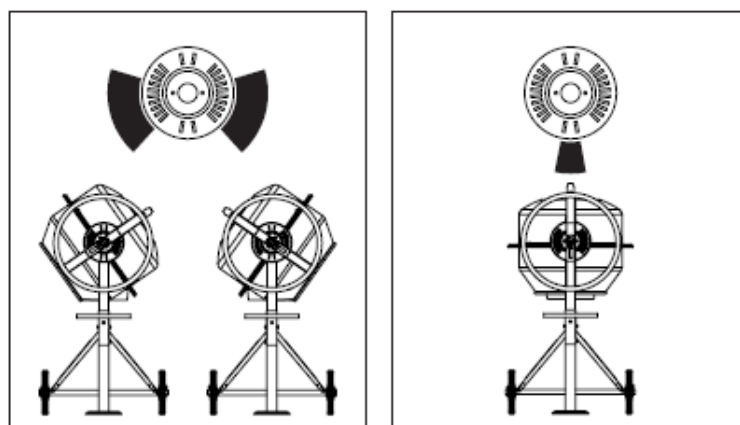
## Loading/Mixing Position

*For Mortar*

*For Concrete*



## Emptying Position Storage Position



### **DRUM LOADING**

For best results, proceed as follows:

- Add the required amount of gravel into the drum.
- Add the required amount of cement into the drum.
- Add the required amount of sand into the drum.
- Pour the required amount of water into the drum.

### **DRUM EMPTYING**

Empty the drum with the drum rotating

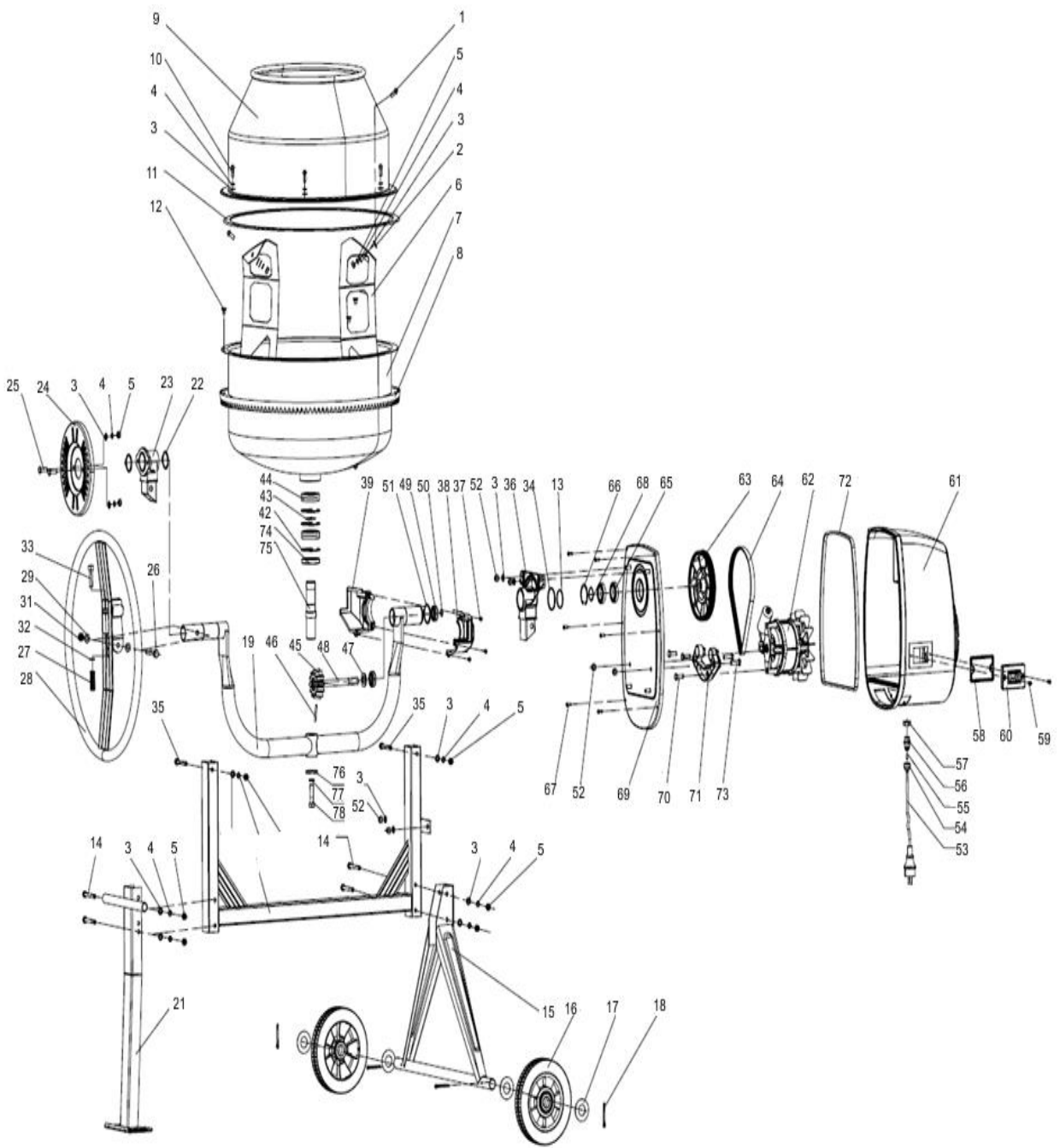
Do not turn off the mixer with material in the drum.

### **MIXING HINTS**

- The correct mix ratio (cement: sand: stone) depends on the type of application; harder concrete will require a higher content of cement, whilst rougher applications require more aggregate.
- First put water into the drum – around 7 litres (1.5 gallons), using more or less depending on the type of mix required. Add some aggregate before cement to avoid sticking.
- The approximate mixing time for concrete is 2-4 minutes from when all the material (including water) has been added.
- Over mixing can reduce strength and cause segregation of the coarser materials.
- A concrete mix which is too wet can reduce in strength and make it less able to withstand weathering.
- Never throw material into the drum, trickle it in steadily over the rim to prevent your mix firmly sticking to the back of the drum and can only be dislodged by stopping the mixer.



## **PARTS DIAGRAM**



# PARTS LIST

Item No	Handy Part No.	Description	Qty	Item No	Handy Part No.	Description	Qty
1	TH207-HCM450-1	Screw M8*20	4	42	TH207-HCM450-42	Circlip 62	3
2	TH207-HCM450-2	Waterproof Washer	4	43	TH207-HCM450-43	Circlip 30	1
3	TH207-HCM450-3	Flat washer 8	22	44	TH207-HCM450-44	Bearing 6206	2
4	TH207-HCM450-4	Spring Washer 8	18	45	TH207-HCM450-45	Drive Pinion	1
5	TH207-HCM450-5	Nut M8	12	46	TH207-HCM450-46	Lock Pin 6*45	1
6	TH207-HCM450-6	Mixing Blade	2	47	TH207-HCM450-47	Sleeve	1
7	TH207-HCM450-7	Lower Drum	1	48	TH207-HCM450-48	Drive Shaft	1
8	TH207-HCM450-8	Big Cogwheel	1	49	TH207-HCM450-49	Bearing 6202	2
9	TH207-HCM450-9	Upper Drum	1	50	TH207-HCM450-50	Circlip 15	1
10	TH207-HCM450-10	Bolt M8*16	6	51	TH207-HCM450-51	Circlip 42	1
11	TH207-HCM450-11	Rubber Gasket	1	52	TH207-HCM450-52	Lock Nut M8	4
12	TH207-HCM450-12	Bolt M8*12	3	53	TH207-HCM450-53	Power Cord	1
13	TH207-HCM450-13	Circlip 42	1	54	TH207-HCM450-54	Strain Relief Nut	1
14	TH207-HCM450-14	Bolt M8*70	4	55	TH207-HCM450-55	Strain Relief Rubber	1
15	TH207-HCM450-15	Axle Frame	1	56	TH207-HCM450-56	Strain Relief Bolt	1
16	TH207-HCM450-16	Wheel	2	57	TH207-HCM450-57	Strain Relief Nut	1
17	TH207-HCM450-17	Flat washer 27	4	58	TH207-HCM450-58	Switch Gasket	1
18	TH207-HCM450-18	Split Pin 5*40	4	59	TH207-HCM450-59	Screw ST3.5x16	2
19	TH207-HCM450-19	Support Arm	1	60	TH207-HCM450-60	Switch	1
20	TH207-HCM450-20	Frame	1	61	TH207-HCM450-61	Motor Cover	1
21	TH207-HCM450-21	Support Leg	1	62	TH207-HCM450-62	Motor	1
22	TH207-HCM450-22	Circlip 38	2	63	TH207-HCM450-63	Idle Pulley	1
23	TH207-HCM450-23	Left Bearing Block	1	64	TH207-HCM450-64	Belt	1
24	TH207-HCM450-24	Locking Plate	1	65	TH207-HCM450-65	Bearing 61906	2
25	TH207-HCM450-25	Bolt M8*25	2	66	TH207-HCM450-66	Snap Washer - Hole 47	1
26	TH207-HCM450-26	Bolt M8*65	1	67	TH207-HCM450-67	Screw ST4.2*16	6
27	TH207-HCM450-27	Spring	1	68	TH207-HCM450-68	Circlip 30	1
28	TH207-HCM450-28	Tipping Wheel	1	69	TH207-HCM450-69	End Plate	1
29	TH207-HCM450-29	Flat Washer 10	2	70	TH207-HCM450-70	Bolt M8*25	3
31	TH207-HCM450-31	Nut M10	1	71	TH207-HCM450-71	Motor Bracket End Plate	1
32	TH207-HCM450-32	Washer 8	1	72	TH207-HCM450-72	Gasket	1
33	TH207-HCM450-33	Bolt M10*30	1	73	TH207-HCM450-73	Bolt M8*30	2
34	TH207-HCM450-34	O-ring	1	74	TH207-HCM450-74	Oil Seal	1
35	TH207-HCM450-35	Bolt M8x65	2	75	TH207-HCM450-75	Fixed Shaft	1
36	TH207-HCM450-36	Right Bearing Block	1	76	TH207-HCM450-76	Washer	1
37	TH207-HCM450-37	Bolt 4.2*12	3	77	TH207-HCM450-77	Spring Washer 12	1
38	TH207-HCM450-38	Gear Guard 1	1	78	TH207-HCM450-78	Bolt M12*25	1
39	TH207-HCM450-39	Gear Guard 2	1				

# GJ HANDY & CO LTD USER WARRANTY POLICY

## 1. Users Statement of Warranty

- Each new machine is warranted against defective material or assembly of material under normal usage. The warranty applies to the original purchaser and covers faulty parts and the labour involved in replacing and repairing those parts, which are of original manufacture.

## 2. Period of Warranty

### **All Webb, Handy Pro (Brushcutter & Long Handle Hedgecutter only) and Sanli domestic products**

- 2 years from the original date of sale to the first domestic user.
- 90 days from the original date of sale to the professional/commercial user.
- 90 days from the original date of sale when used for hire.
- Engines as per the manufacturer's warranty statement which will be supplied with the machine.
- 1 year from the original date of purchase for Replacement Spare Parts (unless normal wear & tear component, which are covered for 90 days).
- All machines' must be serviced within the first 12 months from the original date of purchase to comply with the warranty, failure to do so will invalidate the 2<sup>nd</sup> year of the warranty.
- A reduced warranty period of ninety days applies to those items which are subject to normal wear and tear (e.g. wheels, tyres, cutter bars, cylinders, bottom blades, belts, cables, grass bags, spark plugs).

### **All Handy, Handy Pro (All others), Mowerland and Q-Garden domestic products**

- 1 year from the original date of sale to the first domestic user.
- 90 days from the original date of sale to the professional/commercial user.
- 90 days from the original date of sale when used for hire.
- Engines as per the manufacturer's warranty statement which will be supplied with the machine.
- 1 year from the original date of purchase for Replacement Spare Parts (unless normal wear & tear component, which are covered for 90 days).
- A reduced warranty period of ninety days applies to those items which are subject to normal wear and tear (e.g. wheels, tyres, cutter bars, cylinders, bottom blades, belts, cables, collection bags, spark plugs).

All warranty repairs must be undertaken by an authorised service dealer.

These dealers have been accredited by GJ Handy & Co Ltd and agree to only use genuine parts and follow our repair procedures.

# GJ HANDY & CO LTD USER WARRANTY POLICY

## 3. Not covered by this warranty

- The warranty policy does not cover any depreciation or damages caused by ordinary wear, rusting or corrosion, lack of correct maintenance or operation, misuse, abuse, lack of transportation or accident.
- The warranty policy does not cover any costs necessary for the standard periodic maintenance services instructed by the operators manual, or service parts replacement which would include oil, filters, tyres, belts, brake linings, fuses, blades, seals and other service parts unless it can be proven that the item has evidence of faulty manufacture.
- The warranty policy will not cover failure or damage caused as a result of parts or accessories being modified without the written approval of GJ Handy & Co Ltd.
- The warranty policy will not cover the unit if non-genuine parts have been fitted and as a result damage has occurred to the unit.
- The warranty policy is non transferable and is only applicable to the original purchaser.

## 4. Disclaimer

- This warranty is only a remedy for defect of products. GJ Handy & Co Ltd will never warranty in terms of the merchantability or the fitness for a particular purpose.
- No person is authorised to make any warranties, representations or promises, expressed or implied, on behalf of GJ Handy & Co Ltd, or to modify the terms conditions or limitation of this warranty policy in any way.
- Neither GJ Handy & Co Ltd nor any company affiliated with GJ Handy & Co Ltd shall be liable in any event or manner whatsoever for incidental or consequential damages or injuries, including, but not limited to, loss of crops, loss of profit, out of pocket expenses or profits, rental of substitute equipment or other commercial losses.

## 5. General

- Most warrantable failures show up within the first few weeks of use. These failures are usually straightforward and warranty assessment is relatively easy.
- Failures relating to cutter decks and belts need careful investigation, as the cause may not always be straightforward. Look for damage to blades and pulleys especially when the cutter belt or blade boss have snapped or cracked as this could be due to impact damage.
- Customers should always refer to the operator/instruction manual when any disputed problem arises, you will find most areas covered within the manual.



## EC DECLARATION OF CONFORMITY

We, Importer  
Handy Distribution, Murdock Road, Dorcan, Swindon, SN3 5HY

Declare that the product  
**Model: THLCHCM**  
**H-FRAME ELECTRIC CEMENT MIXER**

Complies with the following directives:  
**The Machinery Directive 2006/42/EC**  
**The Low Voltage Directive 2006/95/EC**

Relevant Standard(s), Specification(s) referred to:

**EN 12151:2007**  
**EN 60204-1:2006+A1:2009**  
**EN ISO 12100:2010**

Name of the Notified Body:  
**Intertek Testing Services Shanghai**  
Address:  
**Building 86, 1198 Qinzhou Road (North), Shanghai, 200233, P.R. CHINA**

Additional Information  
- **Measured Sound Pressure Level: 90.0 dB (A)**

**Authorised signatory and technical fileholder**

Date: **09/07/2015**

Signature:

Name/Title: **Simon Belcher (Mr)**

Position: **Managing Director**

Address: **Murdock Road, Dorcan, Swindon, Wiltshire, SN3 5HY.**









To order spare parts and see the complete range of garden machinery and garden equipment from Handy, visit:

**[www.thehandy.co.uk](http://www.thehandy.co.uk)**

Support

Tel: 01793 333212

Mon – Fri 8.00am – 5.30pm (excl. Bank Holidays)

Email: [customerservice@handydistribution.co.uk](mailto:customerservice@handydistribution.co.uk)

CE



This symbol on the product or on its packaging indicates that this product may not be treated as household waste. Instead it shall be handed over to the applicable collection point for the recycling of electrical and electronic equipment.

For more detailed information about recycling of this product, please contact your local council office, your household waste disposal service or shop where you purchased the product.

