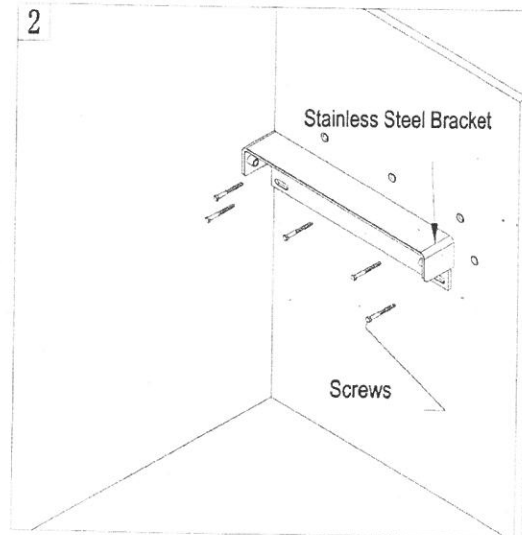
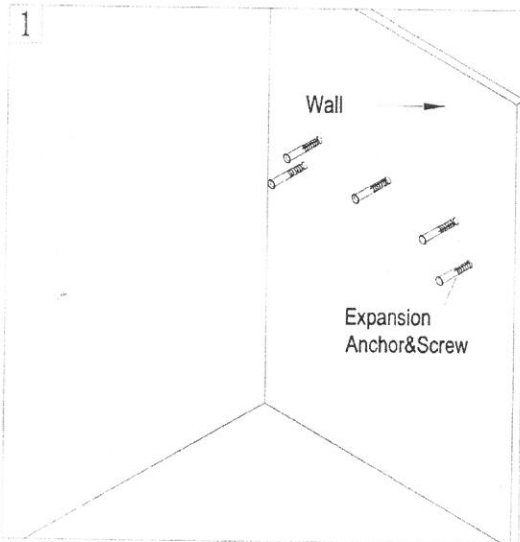




QUICK INSTALLATION TIPS OF SEAT

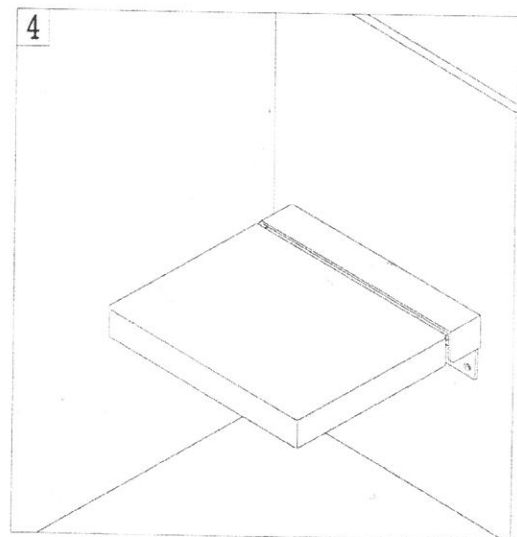
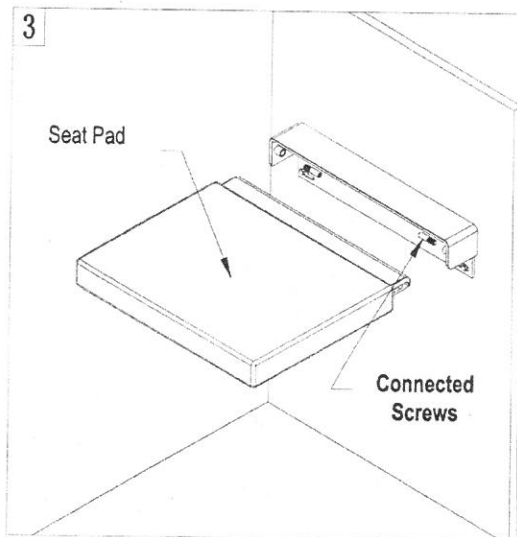
Before attempting to install any seat, read both the seat instructions and make sure your installation can be conformed with local standards.

(some installation maybe need professional help)



Fix the position of mounting holes on wall depend on the actual dimension of Stainless Steel Brackets(a total of 5holes)

Lock the screws on the wall in turn



Fasten the PU seat pad on the bracket by 2 pcs screws and ensure the seat pad can be moved along guide channel smoothly, then these screws can be locked.

The schematic of seat installation

Maintenance and cleaning:

- Use the gentle soap to clean the seat pad and wipe the surface by soft cloth.
- Avoid using the detergent or antiseptic or other cleanser which is loaded in spray-can.
- Do not use the corrosive cleaning powder.
- Some bathroom chemical or cosmetics will destroy this seat.
- After equipped, pls check the tightness of bolts for seating safety.

Note: Products Pictures are for visual reference only

Check out our full range of Bathroom Accessories

Bathroom Accessory Sets

Heated Towel Rails

Bathroom Extractor Fans

Bathroom Lighting

Shower Seats

Grab Rails

Shower Curtains

Toilet Brushes

Bathroom Cleaning Products

Wall Mounted Bathroom Accessories

Robe Hooks

Bathroom Tumblers

Toilet Roll Holders

Soap Dishes

Towel Rings

Shower Caddies

Bathroom Mirrors

Standard Bathroom Mirrors

LED Bathroom Mirrors

Shaving Mirrors

plumbworld
Big brands, small prices.