

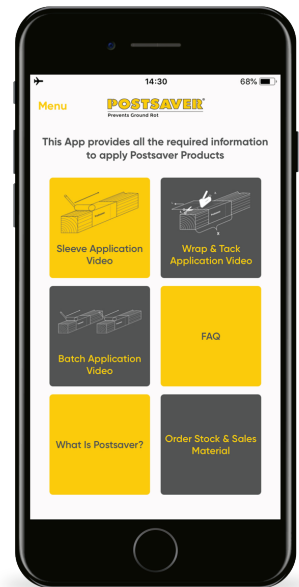
Application Instruction Options

1. Download our FREE app

It includes everything you need to **promote, use and install** our products

Including all of our **video guides** available to use offline (no data connection required)

Simply **search for 'Postsaver'** on the Apple App Store or Android Play Store



2. Watch the application videos online

Simply head to www.postsaver.co.uk and click 'videos'

Or search for 'Postsaver Application' on YouTube or type www.youtube.com/c/PostsaverLtd



3. Follow the written instructions on the reverse

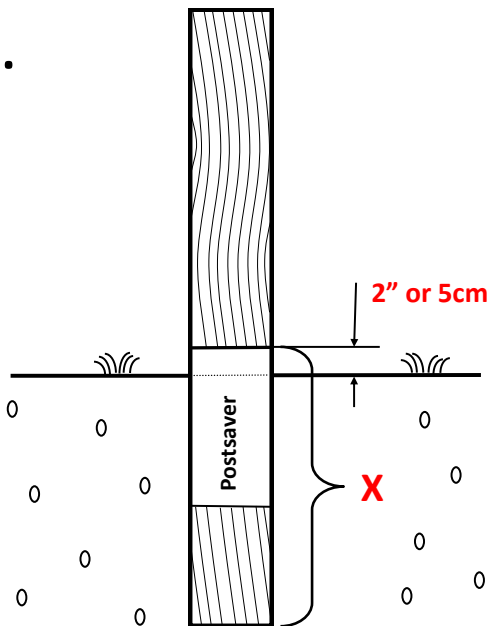
Applying multiple sleeves? Check out our batch application video, available on the Postsaver app or on our website/YouTube. Simply search for 'Postsaver batch application instructions'.

Sleeve application instructions

Safety Rules:

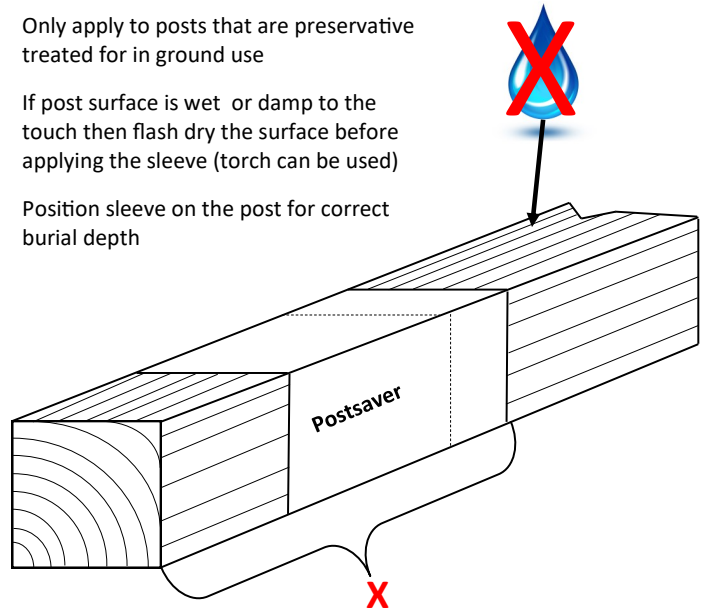
- Do not try to apply sleeves until you understand all of the instructions and cautions. Review instructions and cautions periodically to maintain awareness. Deviating from these procedures may result in fire and property damage and or operator injury.
- These instructions relate only to the application of Postsaver sleeve products and not to the use of a suitable gas blow torch. It is your responsibility to read, understand and follow the instructions and cautions provided by the gas blow torch manufacturer before using the blow torch.
- Ensure that the area where the sleeve is to be applied is clear of any flammable or combustible materials.
- Always have a fire extinguisher and a bucket of water near the torch and work area. Do not place them in the flame path or in a location where you could not reach them should a fire break out.
- Work only in a well ventilated area.
- If the sleeve is overheated fumes could be emitted, breathing these fumes can be hazardous to your health.
- Do not touch or handle the sleeve until it has fully cooled.
- Always wear suitable heat proof protective gloves when handling or applying sleeve products.

1.



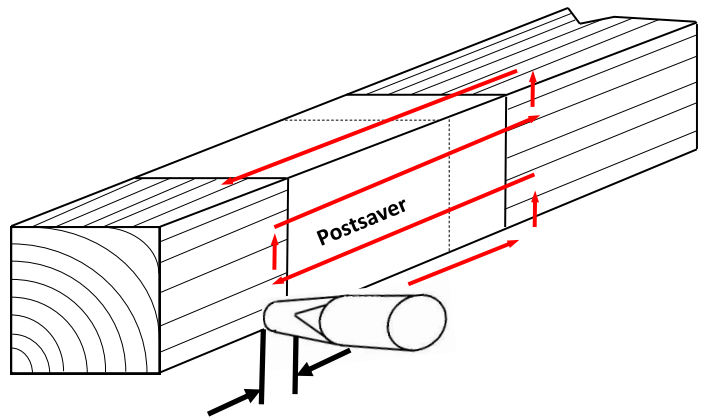
2.

- Only apply to posts that are preservative treated for in ground use
- If post surface is wet or damp to the touch then flash dry the surface before applying the sleeve (torch can be used)
- Position sleeve on the post for correct burial depth

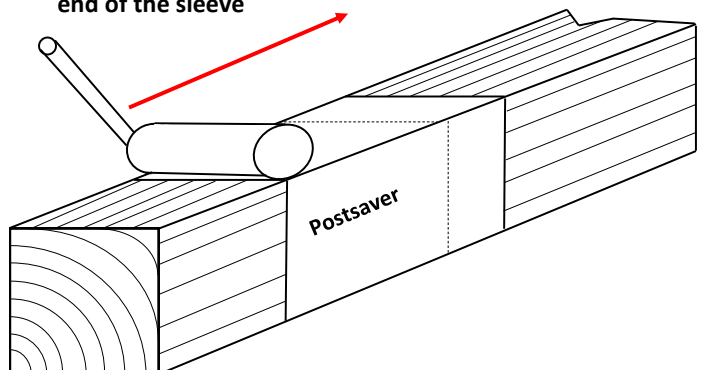


3.

- Avoid applying sleeves in windy conditions
- With the post supported horizontally heat shrink the sleeve on to the post with a suitable gas torch. **The gas torch should have a minimum nozzle diameter of 3/4" (medium to high output, not pencil tip or pin point burner, do not use a hot air blower)**
- **Keep the end of flame just in contact with the sleeve**
- Move the flame from end to end as the sleeve starts to shrink, **always take the flame approx. 2" (50mm) past the end of the sleeve to ensure the top and bottom are correctly shrunk in place**
- **The flame must be kept moving at a steady rate at all times** when in contact with the sleeve or post. If not kept moving the sleeve will burn through and the sleeve or post could catch fire
- Work round post with the torch moving from one end of the sleeve to the other until the sleeve is fully and tightly shrunk on to the post
- If the sleeve takes excessive time to shrink then the blow torch is not powerful enough, could be low on gas or conditions are too windy



2" (50mm) past the end of the sleeve



4.

- On square posts only, immediately after heat shrinking and while the sleeve is still hot use a roller (foam paint roller etc) dipped in water to gently press the film on to all the flat faces of the post to ensure a good seal.

5.

- Allow sleeve to cool for 2 minutes before handling or installing the post. Install the sleeved post using any of the normal methods including power driving, dig and backfill and concreting in place