

# Insignia

## INSTALLATION MANUAL

1050 | 1150

Platinum Series



**30 Day Technical Support: 01908 226545**

This service is only available to customers from the day of delivery Mon-Fri 10:30-15:30, please have your supplier's details and your postcode to hand before calling.

**Replacements Parts:** Inside of your warranty period contact: [www.insigniarange.co.uk/support](http://www.insigniarange.co.uk/support)

**Spares/Replacements Parts:** Outside of your warranty period visit [www.insigniaoutlet.co.uk](http://www.insigniaoutlet.co.uk)

### ATTENTION INSTALLERS:

These instructions must be left with the customer



**CHECK ALL CONTENTS BEFORE BUILD COMMENCES. NO RETURNS CAN BE MADE ONCE THE BUILD HAS STARTED AS IT IS DEEMED ACCEPTANCE OF PRODUCT!**

WARRANTY REG NO: \_\_\_\_\_

To claim your full 5 year warranty, register your shower within 90 days at: [www.insigniarange.co.uk/warranty](http://www.insigniarange.co.uk/warranty)

## Contents

Thank you for your purchase	3
Tips for assembly	4
Electrical/Pressure/Tool requirements	5
Box contents	6
Starting the installation	7
Water valve connections	27
Control panel connections	28
Steam generator connections	29
Signing off your shower	31
Control panel instructions	32
Parts list	35
Bathroom Electrical Zones	36
WEEE Compliance Statement	38

*Thank  
You*

Thank you for your recent purchase of an Insignia shower. Please read this booklet with great care to ensure you get the best out of your build and have a shower that will last for many years to come! Like everything, in order to obtain a first class product that will serve you well for many years, the effort and correctness put into the assembly will reflect in the quality of your finish.

## Before we start, here's our 4 top tips which may assist you...

### TIP 1—Building Your Shower

This product is suitable for a DIY build, providing you are confident in your DIY abilities. Please look through this build guide and decide on whether you feel confident in undertaking this task. If you are not, seek the services of a professional and show them these instructions before hiring.

### TIP 2—Hard Water

Due to the nature of this product we highly advise the purchase and fitting of a water softener.

(Please note: limescale build up may cause damage to your shower and will not be covered under warranty)

### TIP 3—Installation

These showers are designed to be free standing and movable from their location should you have the need to replace anything.

**ALWAYS USE** Flexible braided water inlet pipes (not supplied) at least a metre long (not central heating plastic type!)

**NEVER FIX** with rigid pipes, **NEVER FIX** the unit to the wall or floor.

### TIP 4—Sealing

When using Insignia's RubberGum, please ensure the product does not come in contact with your silicone as this will cause the RubberGum to fail and will not adhere as intended. RubberGum is immediately waterproof and will gain additional strength over time.

## Electrical Requirements

Voltage Rating 220 -240AC

Frequency Rating 50HZ

Power Rating 2.8KW (steam version only)

Your electrical contractor should understand **ALL** legal requirements of connection before undertaking any work or installation.

### **UNDER NO CIRCUMSTANCES UNDERTAKE THIS YOURSELF!!!**

Note for electrician: This product comes with 13 amp plug (s) fitted with an RCD unit. We leave it this way for you to connect it your own way due to continued additions to current regulations.

1) Connect within current laws and IP directives.

2) (Preferred) Wire into isolated fused feed connecting directly to the house consumer/service box.

Always use protection against electrical surge. Your shower should be treated the same as a home computer. A surge protector should eradicate the possibility of either the transformer or control panel being burnt out.

Electrical work needs to be signed off by a fully qualified operative by law. Failure to adhere to this will not only void your electrical warranty for your shower, but could void your house insurance too.

## Pressure/Water Requirements

We recommend a BAR pressure between 2.5 and 3.4 BAR. If you have a combi boiler system no problem should be experienced. If you have a gravity feed older type installation (hot water tank type usually less than 1 BAR) you will almost certainly need a pump. We cannot advise on which type of pump is used, location or design because all house plumbing layouts vary. This is a job for your installer/plumber. The end delivery however must fall within the scope above.

**Important Note** Do not exceed 3.4 BAR pressure under any circumstances. Warranty is void if so as damage will occur. If you have a combi supply, please use a pressure reducing valve if required to lower the BAR pressure to the shower.

Please Remember that this product is free standing and is designed to be pulled away from the wall.

The waste hose must be of a flexible type (1m flexible waste supplied).

The water supply pipes need to be at least 1 metre in length and must be that of a flexible braided type (not supplied).

### **DO NOT OVERTIGHTEN THE BRAIDED HOSES AS IT CAN CAUSE THE CONNECTION TO POP AFTER A FEW WEEKS OF USE.**

Always fit easy to get to isolation taps on both hot and cold water supply (not supplied). Just like a dishwasher or washing machine, this product **MUST** be isolated when not in use.

## Tools Required

### You will require:

- Scissors
- Knife
- Spirit Level
- Tape Measure
- Philips Screwdriver
- Electric Drill
- Safety Gloves
- Safety Glasses

## Parts Required

- RubberGum (supplied)
- Plumbers Mait (not supplied)
- Hot and cold isolation valves (not supplied)
- 2 x Braided hoses (not supplied) **Steam version requires 3.**

## What's in the Boxes?

Box	Contents	Quantity	✓
Tray	Shower Tray	1	[ ]
	Waste + Hose	1	[ ]
	Glass Shelf	1	[ ]
	Riser Rail for hand shower	1	[ ]
	Screw Pack	1	[ ]
	Shower hose	1	[ ]
Glass Room	Glass Door	1	[ ]
	Side Panels	1	[ ]
Column	Complete Column	1	[ ]
	Hand Shower	1	[ ]
Backwall Pack	Left Back Panel	1	[ ]
	Right Back Panel	1	[ ]
	Font Fixed Panel	1	[ ]

Framework	Top Rail	1	[ ]
	Bottom Rail	1	[ ]
	Outer Fixed Uprights	2	[ ]
	Inner upright post	2	[ ]
	Magnetic door seal	1	[ ]
	Rear flap door seal	1	[ ]
	Flexible seal (12mm)	1	[ ]
	Flexible seal (7mm)	1	[ ]
	Framework Securing Clips	4	[ ]
Roof	Roof with fittings	1	[ ]

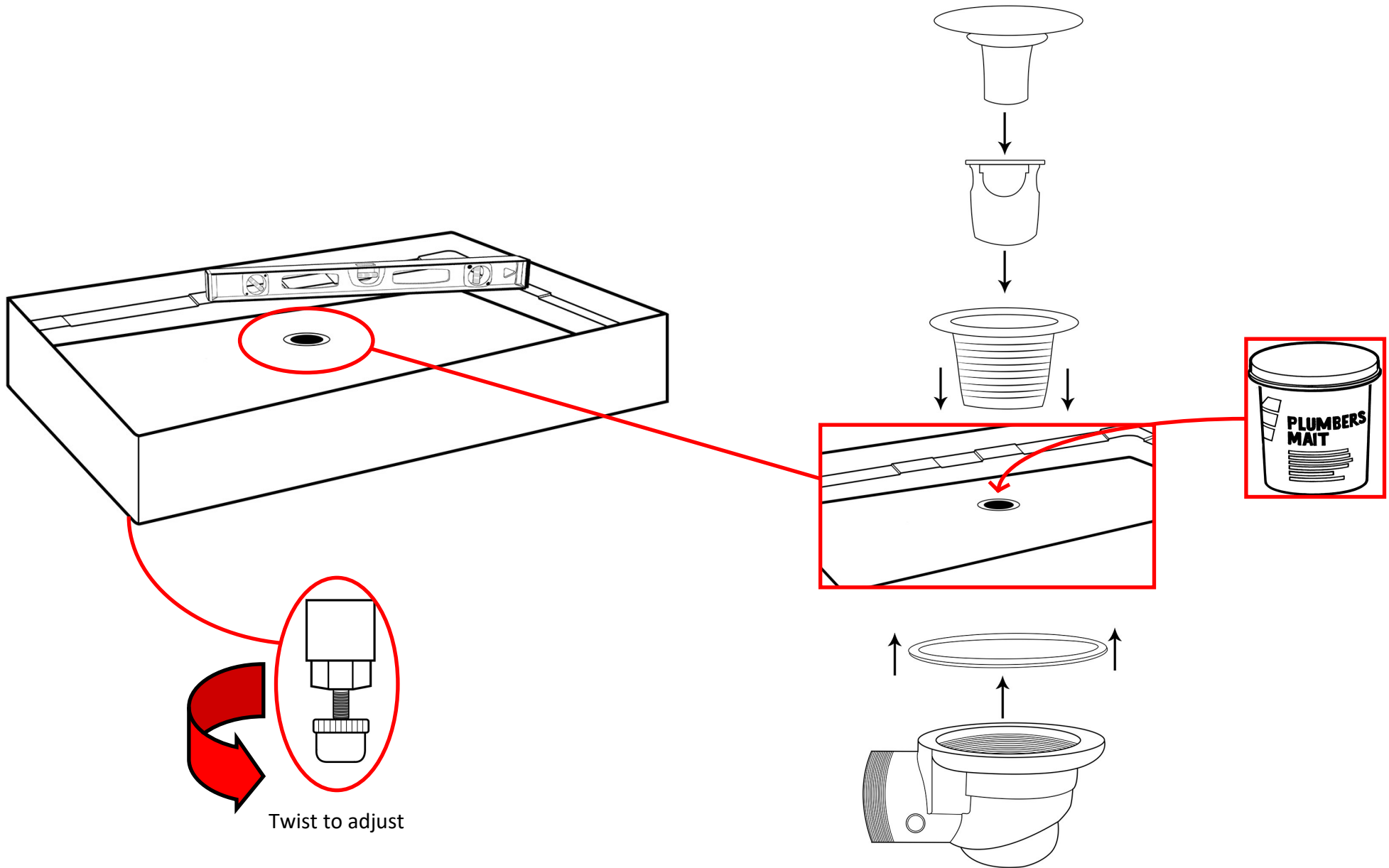
## Screw Pack Contents

Product Code	Description	Quantity
SP097	Door Handle	1
SP276	Twin Door Wheels Non-Push	2
SP276A	Twin Door Wheels Push button	2
ST8	8mm Screws	12
ST10	10mm Screws	12
ST16	16mm x 3.5mm Screws	8
ST16	16mm x 4mm Screws	6
ST20 or WN20	20mm Nut and Bolt or Wing Nut	12
AMI01	Jubilee Clip (For steam version only)	1
SW9	Small Washers	20
DB9	Drill Piece	1

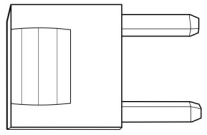
### VERY IMPORTANT

Have you got everything? If not please contact the Insignia Support Line on **01908 226545**. Remember **NEVER** book your tradesman until everything has arrived, been checked and is present. No replacement/missing parts can be obtained free of charge during or after the build. Any claims can only be within the timescale permitted (48 hours after delivery) and always **BEFORE** build.

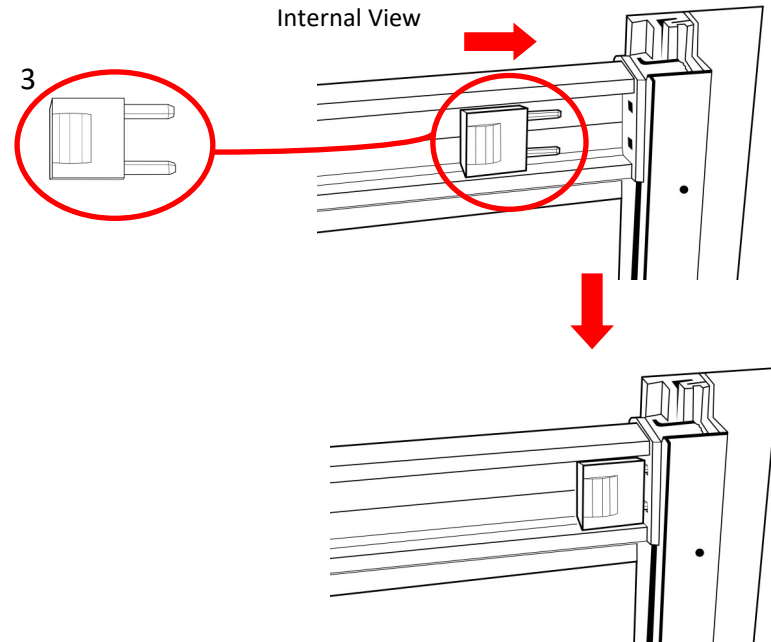
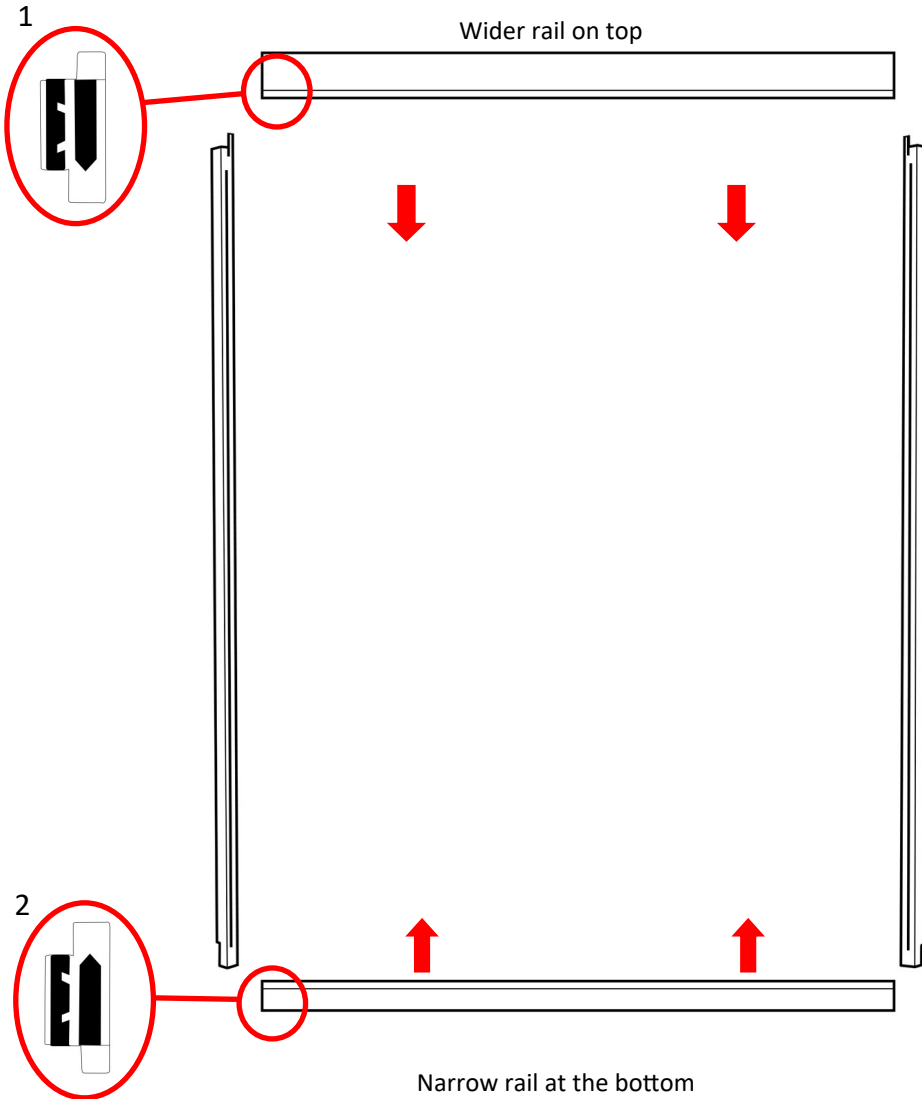
# Step 1 — Level the Tray and connecting the waste



## Step 2 — Connecting the framework



Framework securing clips x4



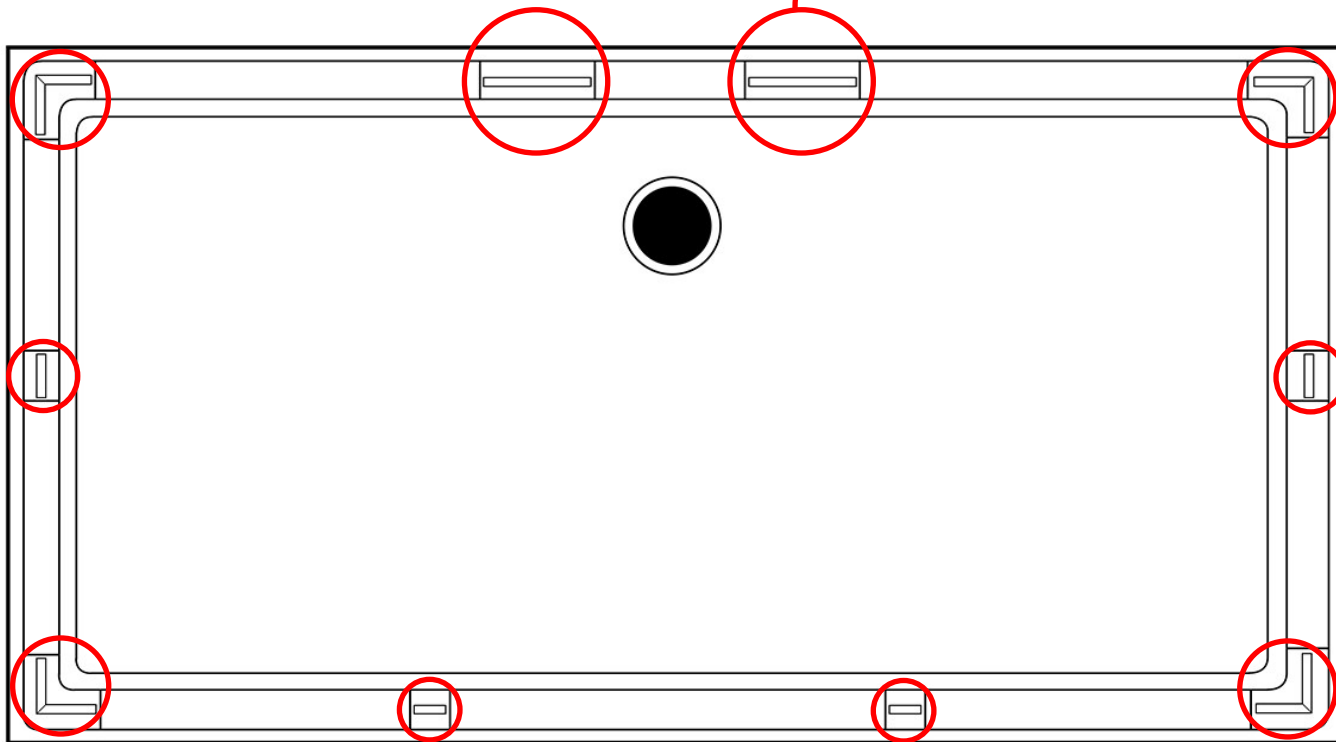


### Step 3 — RubberGum the tray

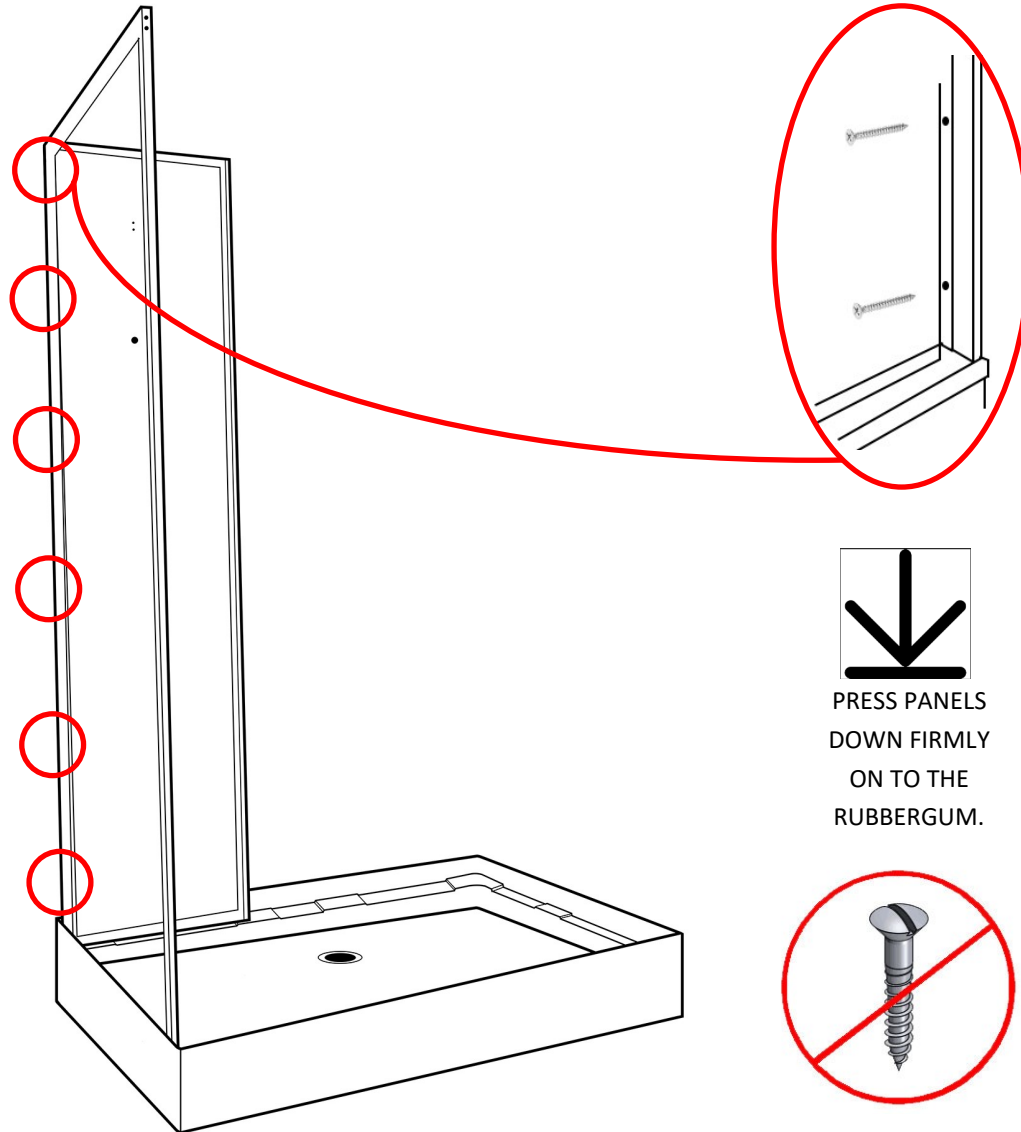
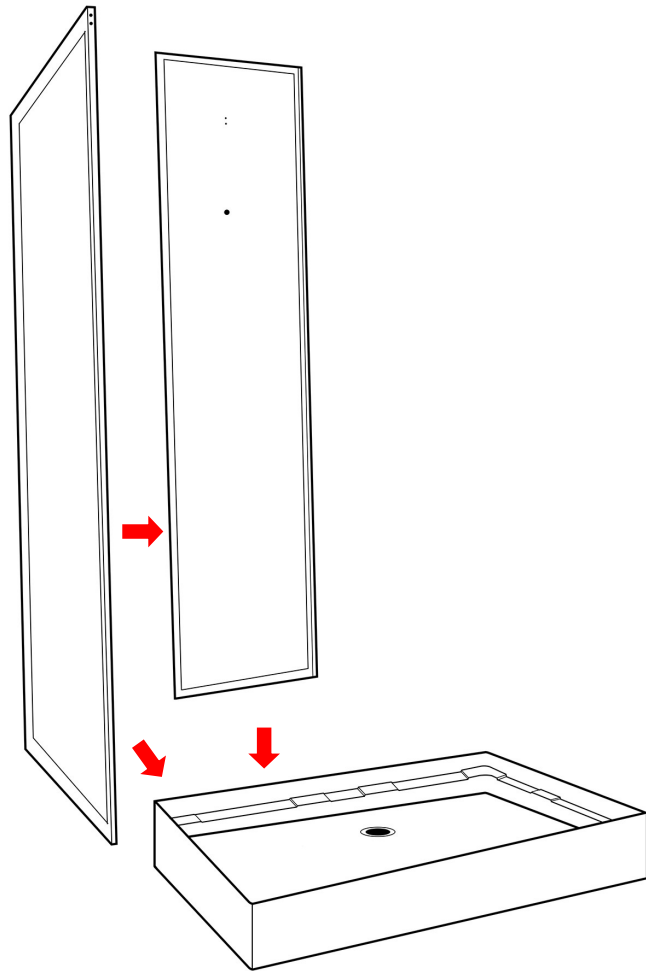
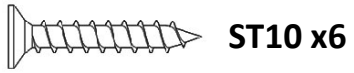
Apply RubberGum to raised sections of the tray and remove backing paper.



The image shows a black box of 'Insignia RubberGum Rubber Adhesive Fling Seal' and a roll of the white adhesive strip. The box features the text 'NEW', 'Insignia RubberGum Rubber Adhesive Fling Seal', and 'Peel... Stick... Trim... Done!' along with a list of applications: 'Personalized Party Seal for Shower Curtains, Bathtubs, Baskets, and many other items.'

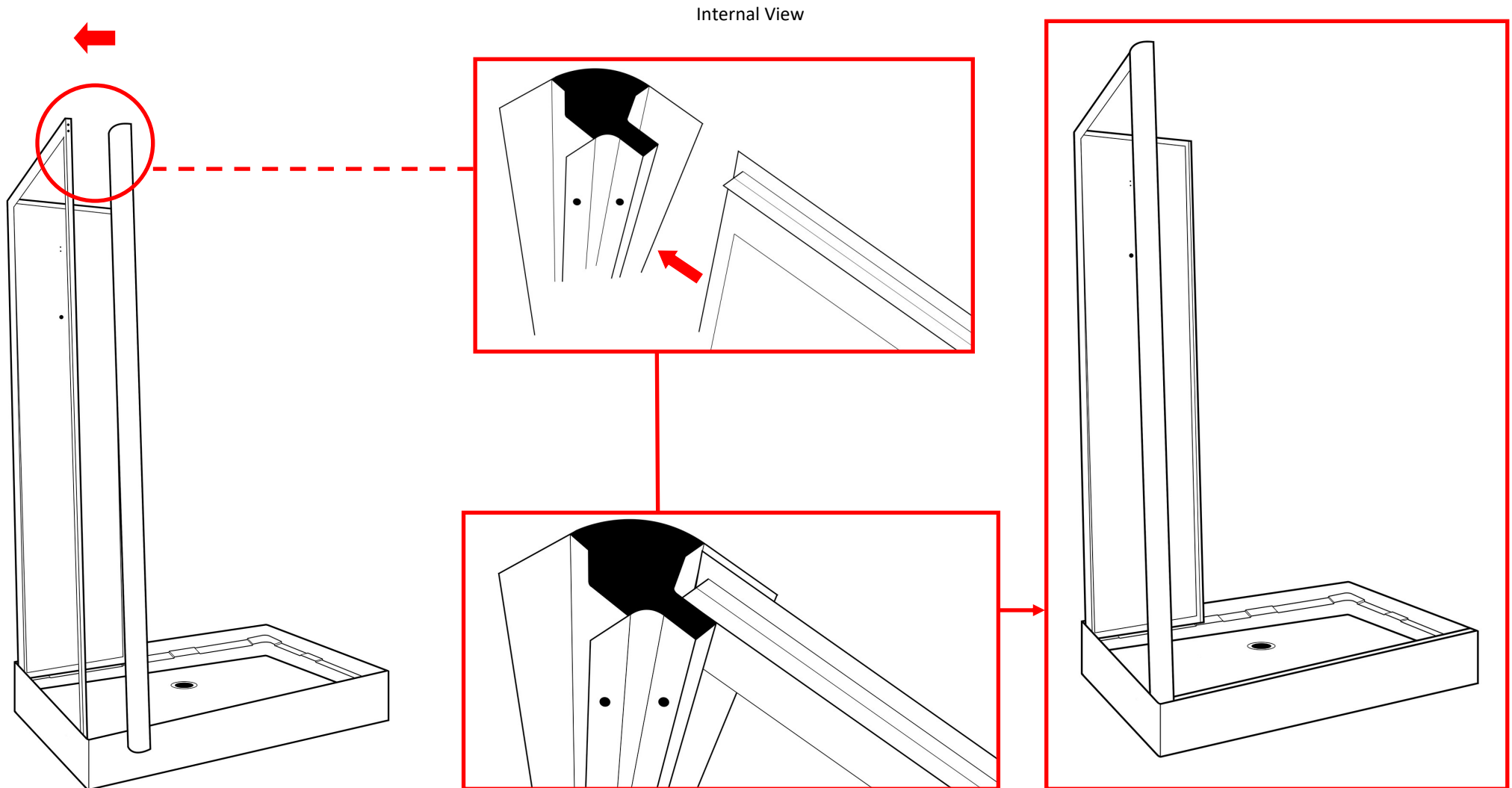


## Step 4 — Connecting the left back panel to left side panel

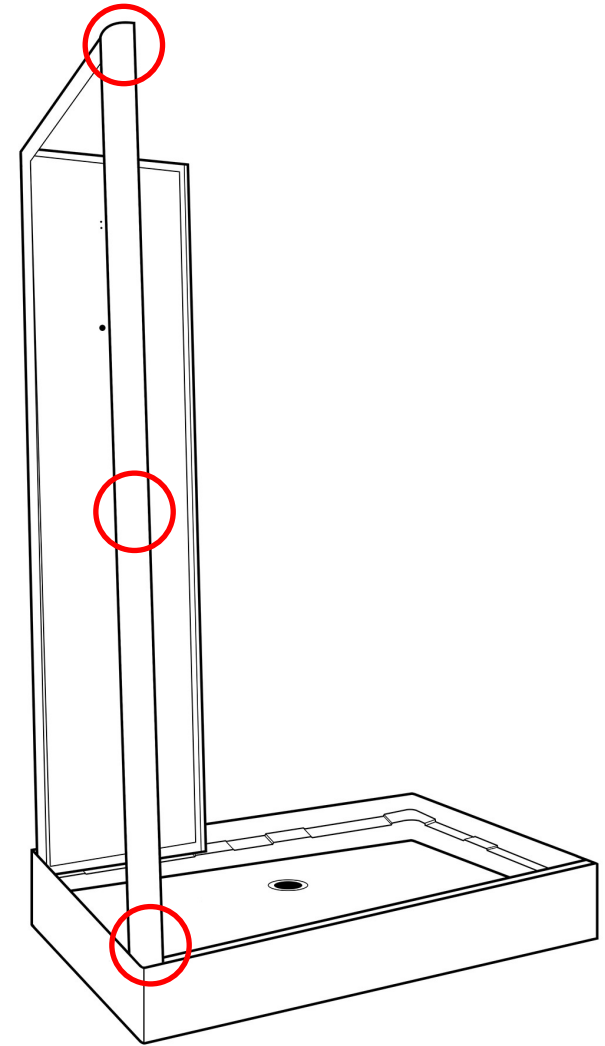
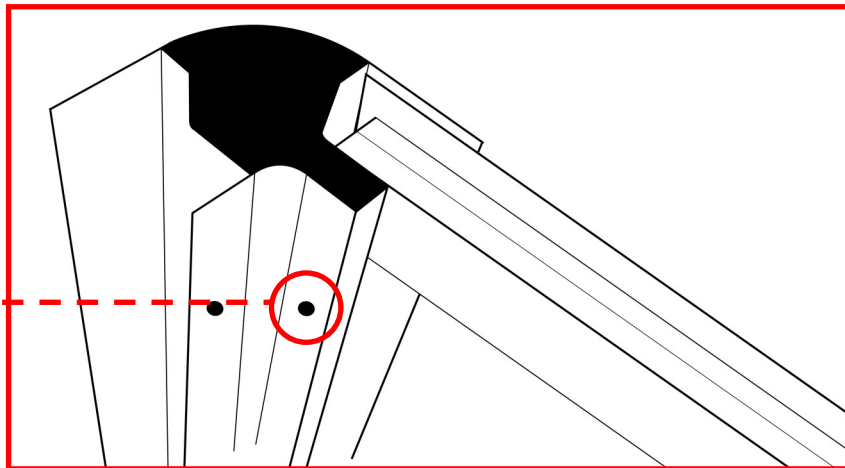
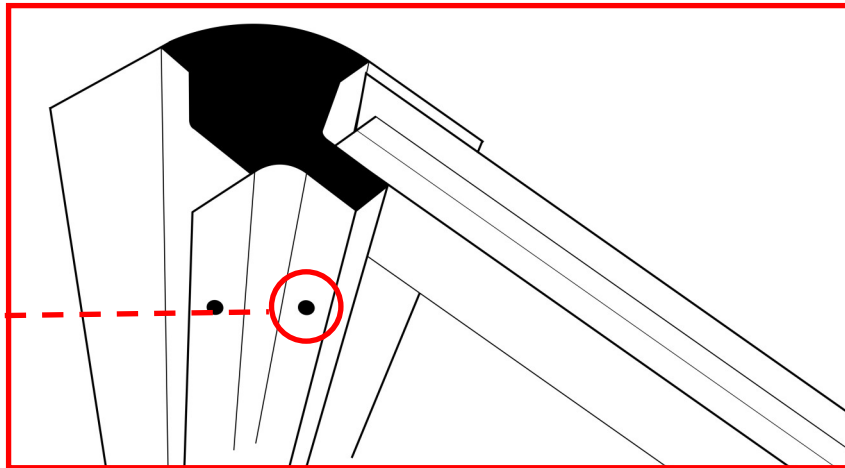
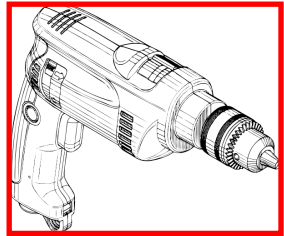
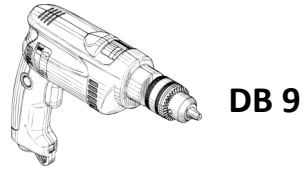


DO NOT SCREW BACK PANELS TO THE TRAY.

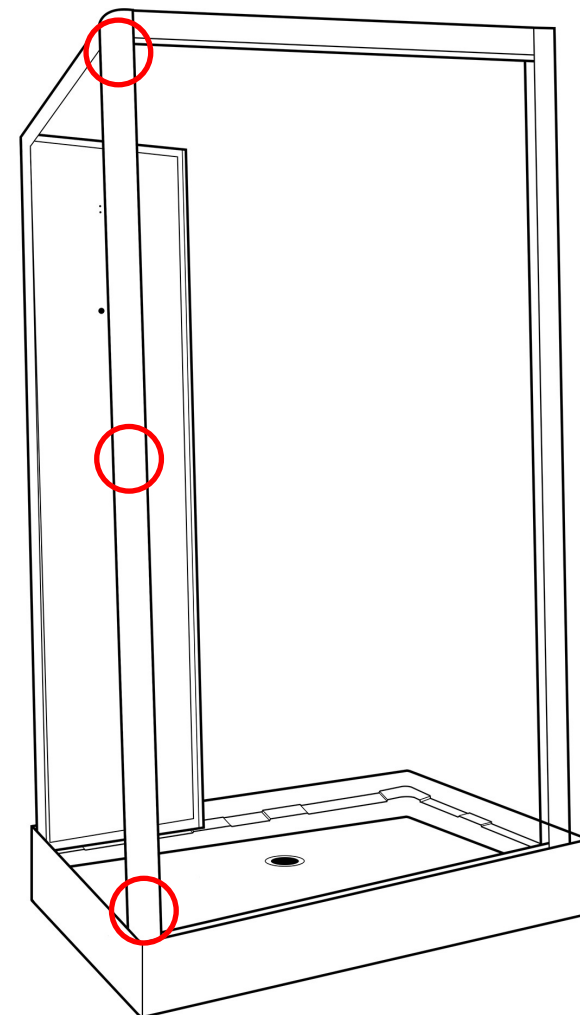
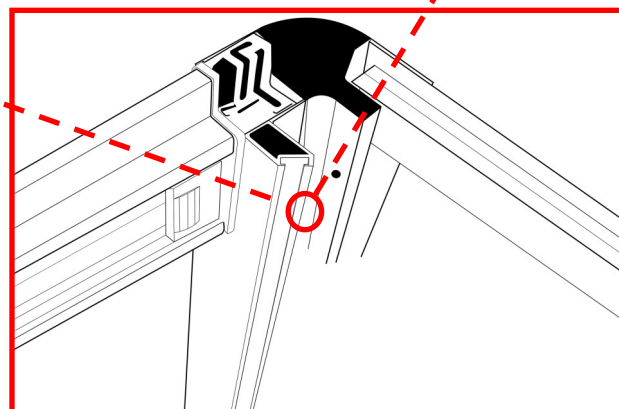
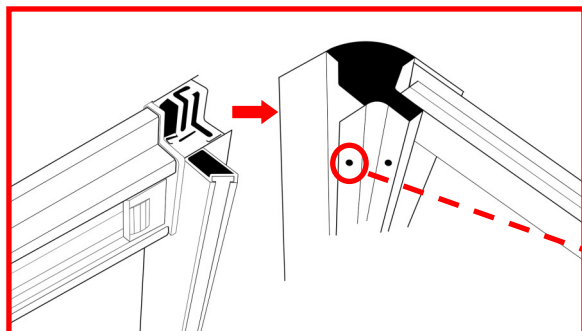
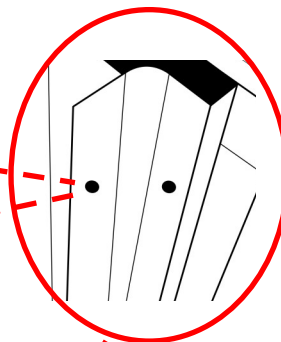
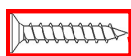
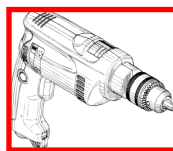
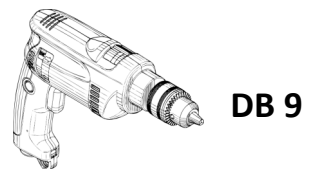
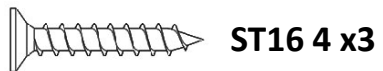
## Step 5 — Connecting the left corner upright to the side panel



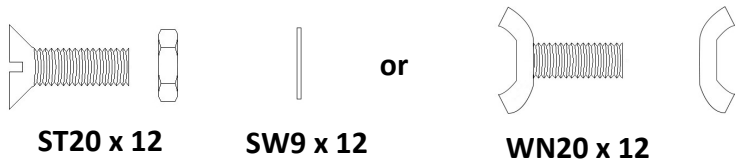
## Step 5 — Connecting the left corner upright to the side panel continued



## Step 6 — Connecting the framework into the upright.

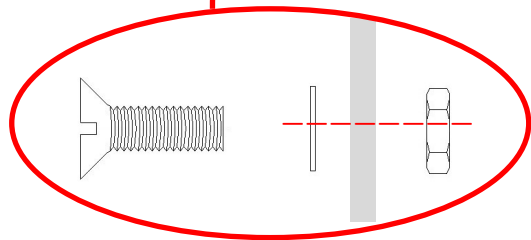
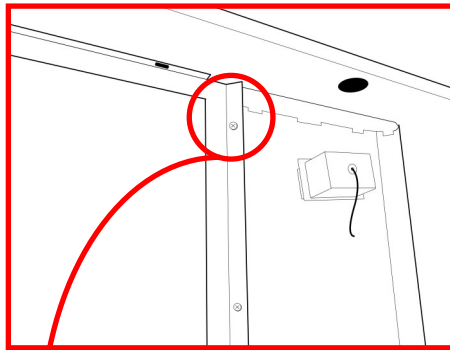


# Step 7 — Column Connection

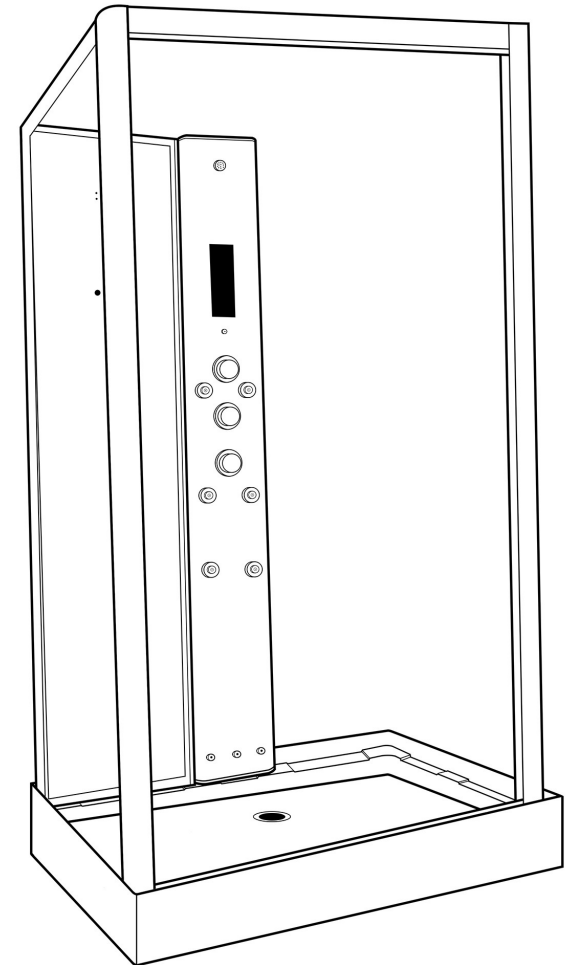
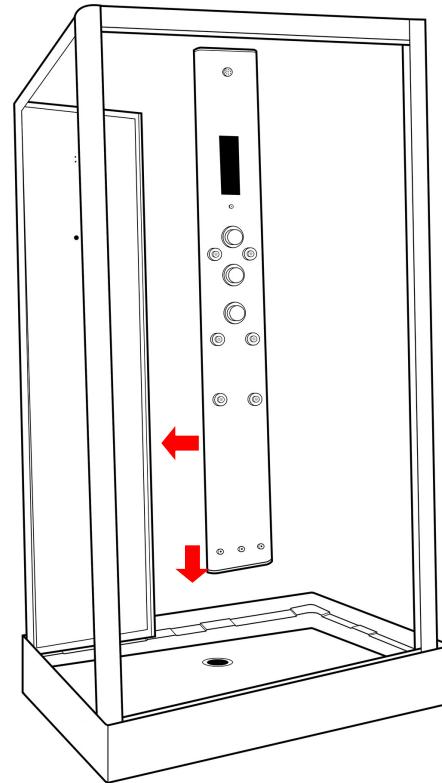
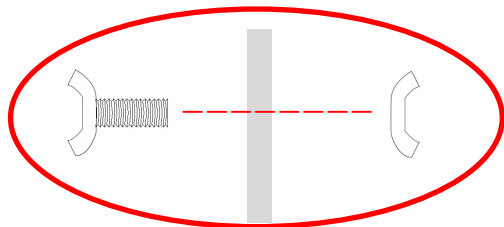


Rear View (attach nuts and bolts or wing nuts from rear)

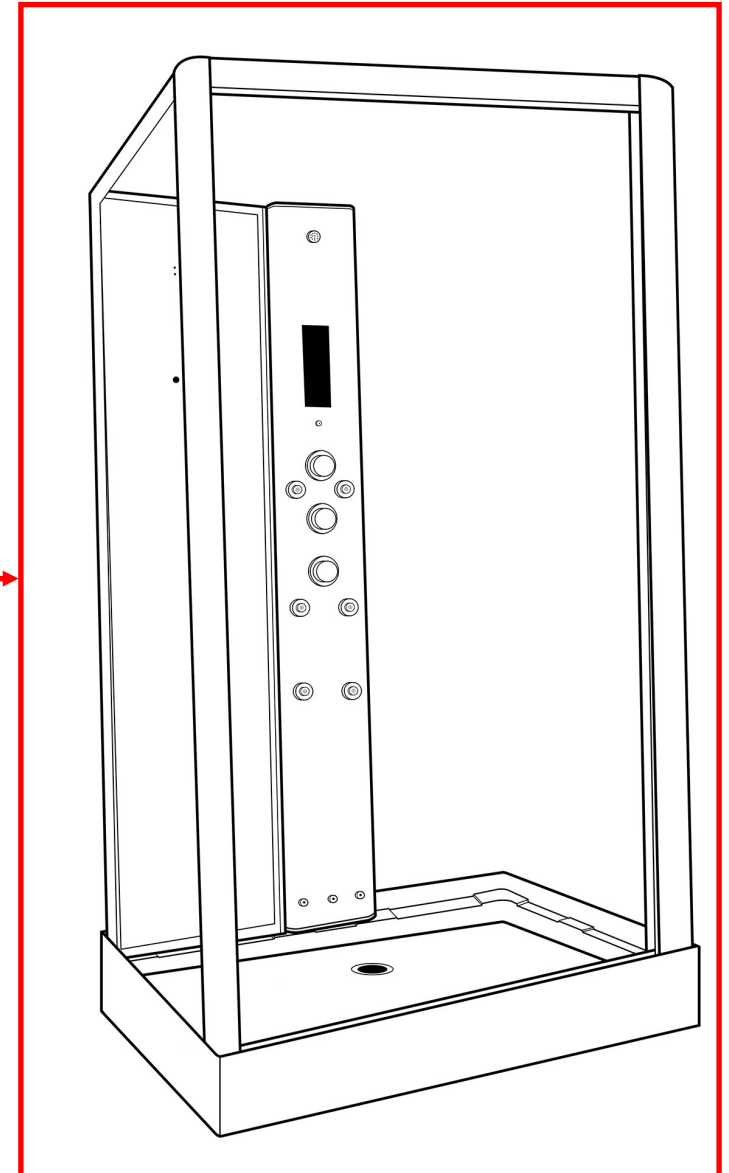
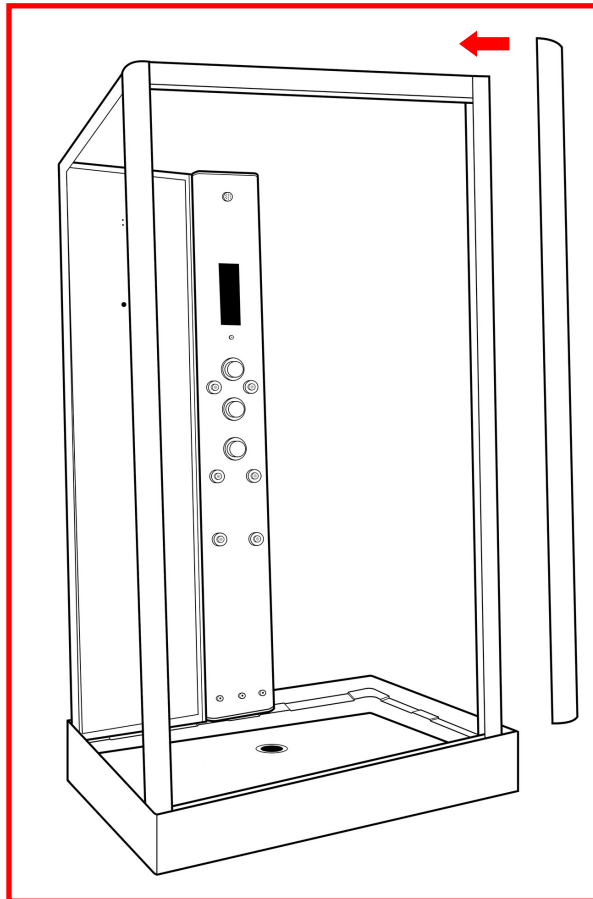
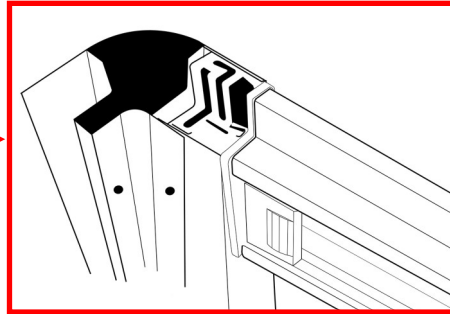
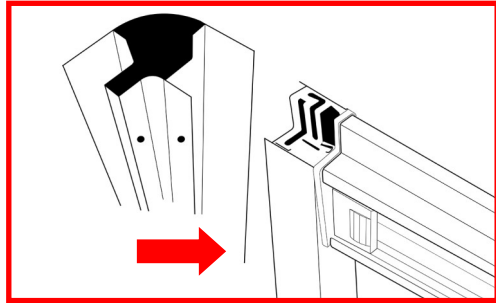
Below diagram shows the nut/bolt install



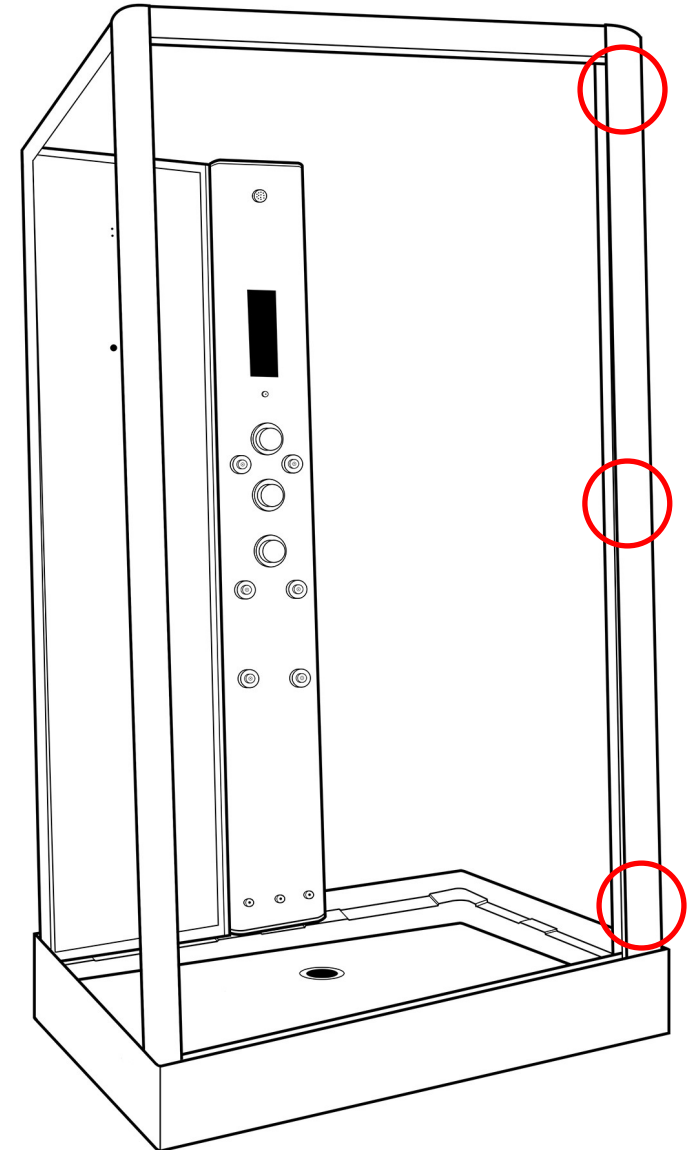
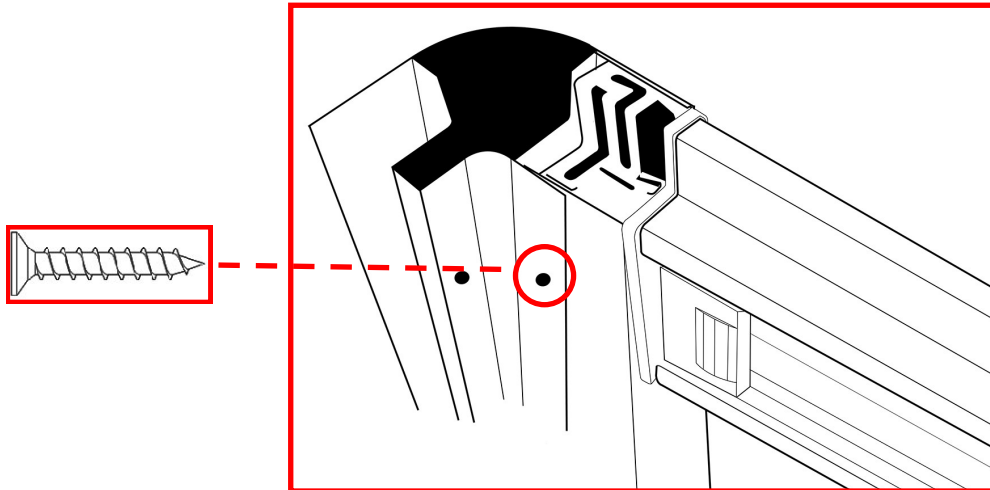
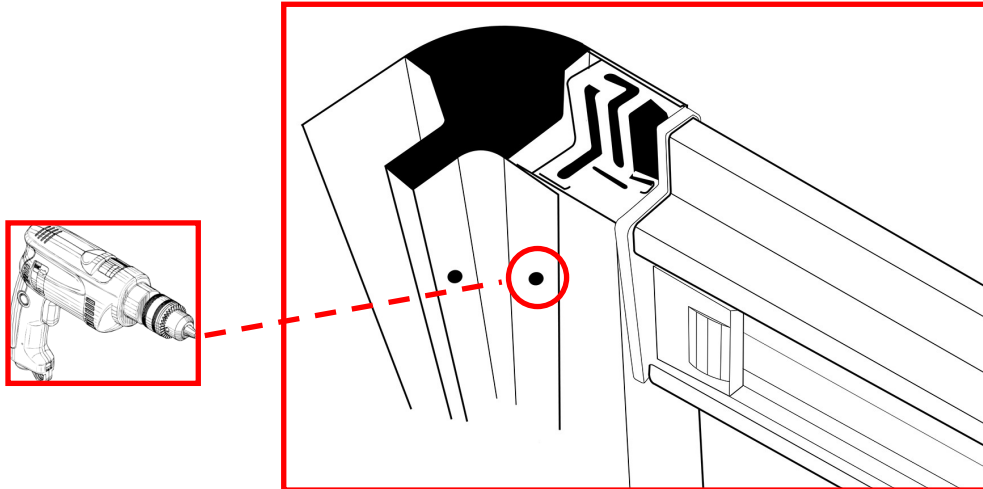
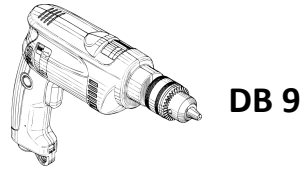
or



## Step 8 — Corner post to framework connection

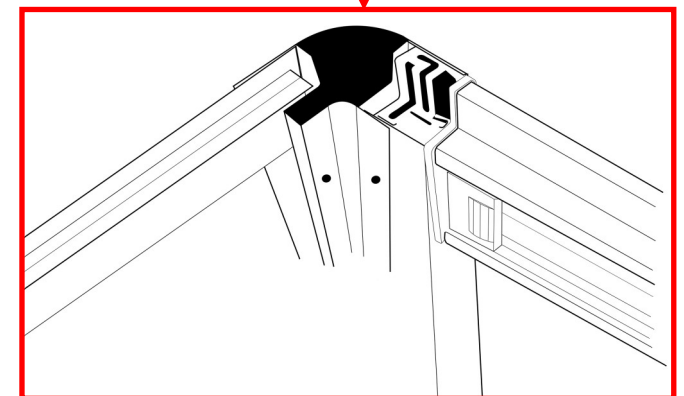
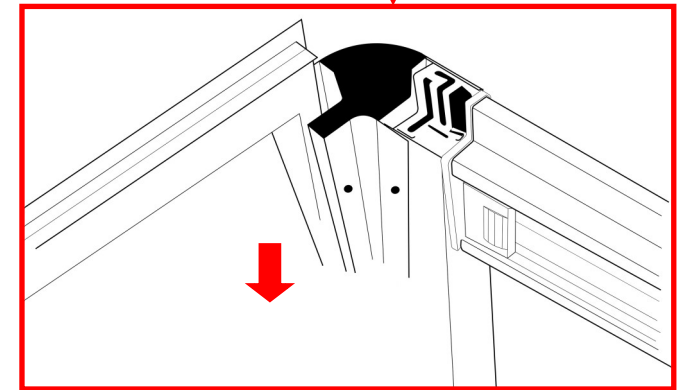
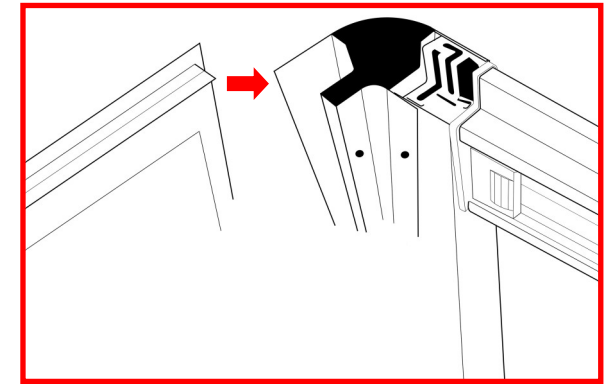
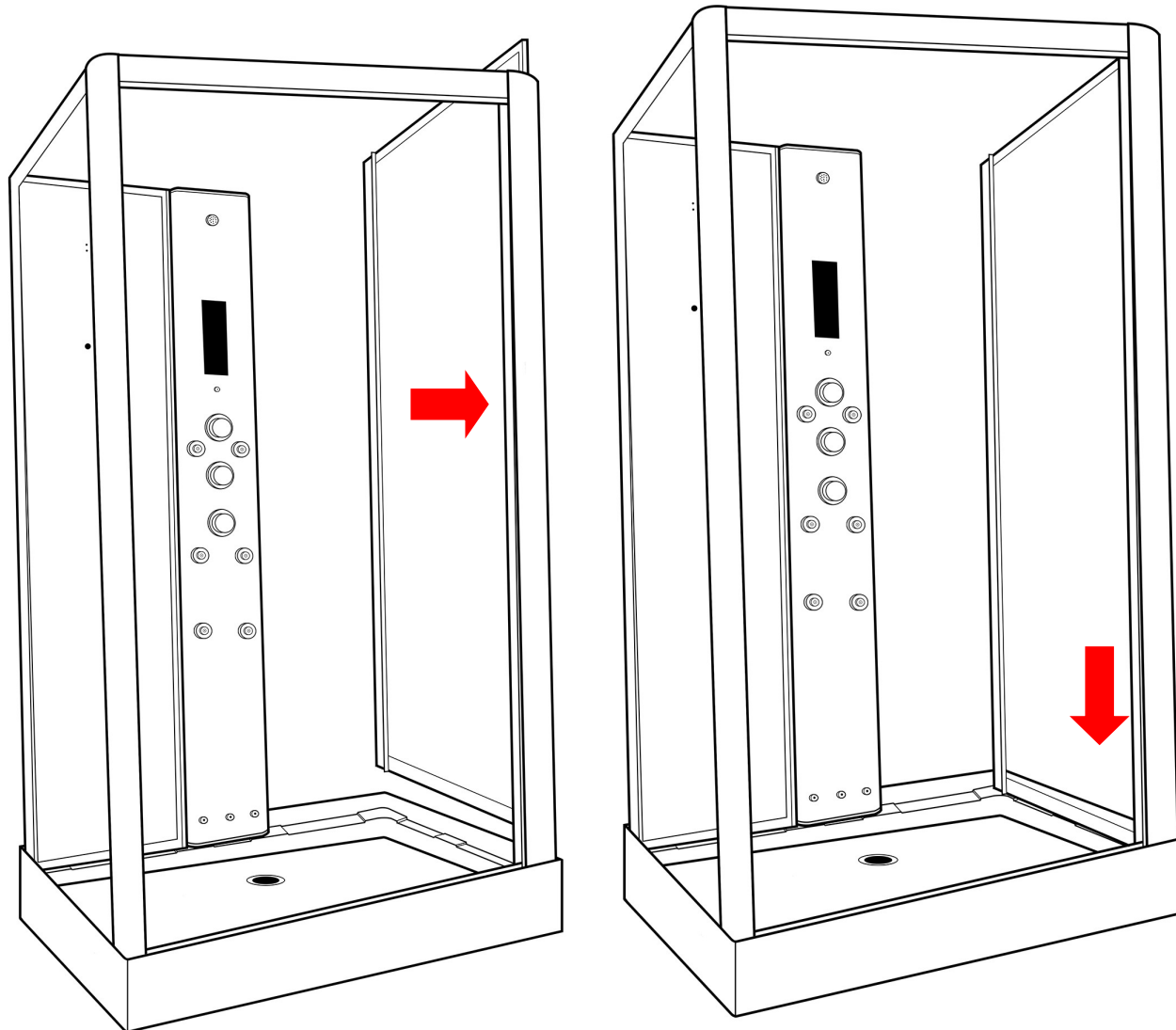


## Step 8 — Corner post to framework connection continued

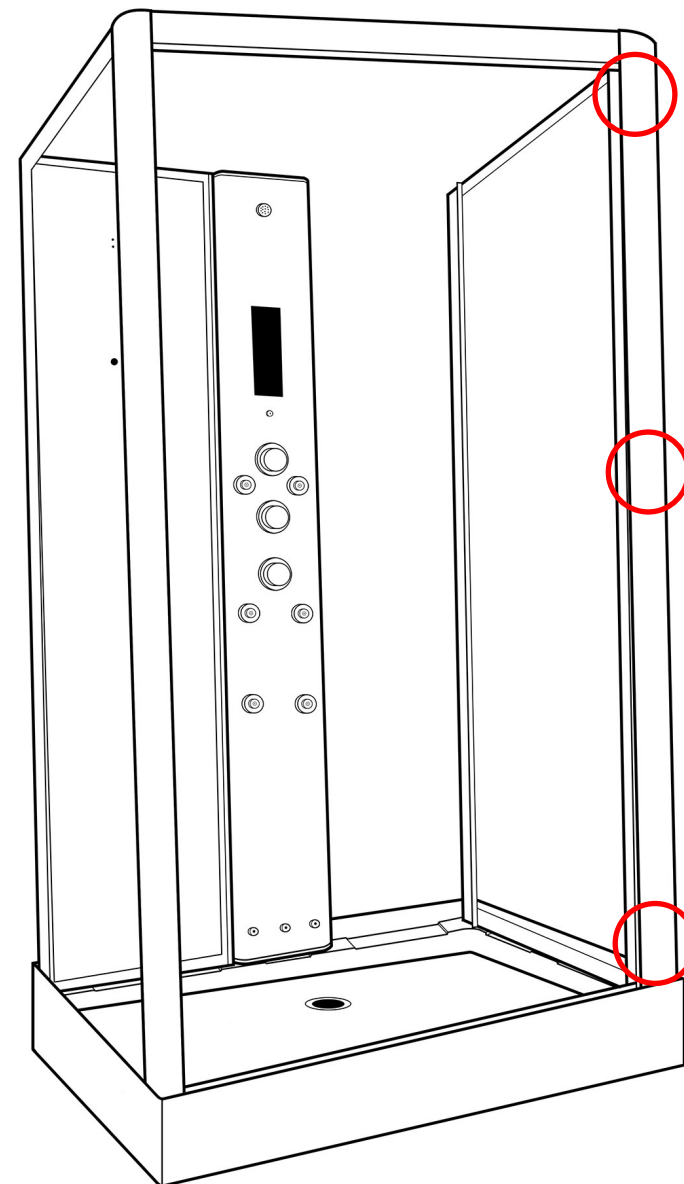
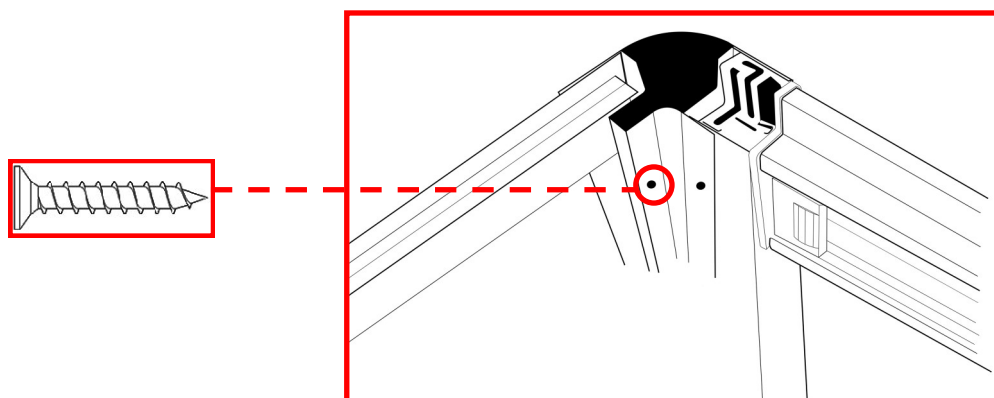
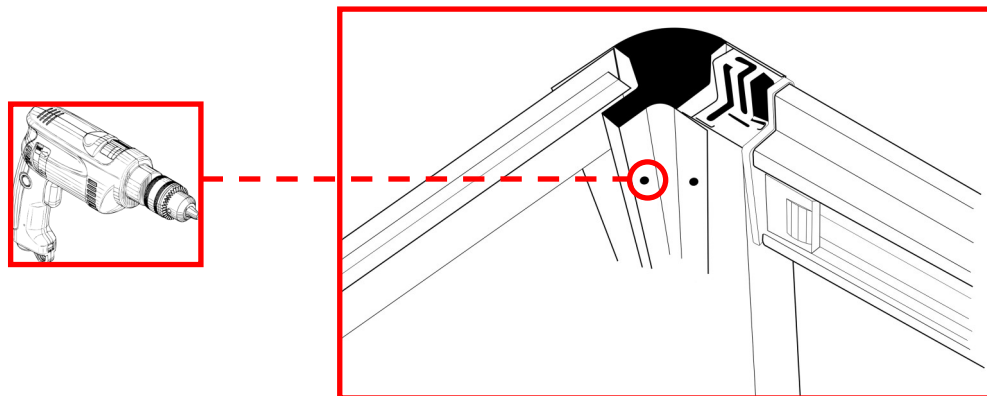
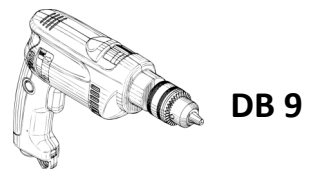




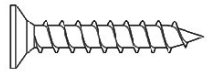
## Step 9 — Connecting the right side panel



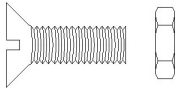
## Step 9 — Connecting the right side panel continued



# Step 10 — Connecting the right back panel



ST10 x6

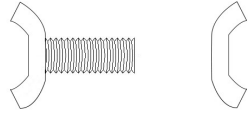


ST20 x 12

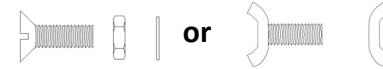


SW9 x 12

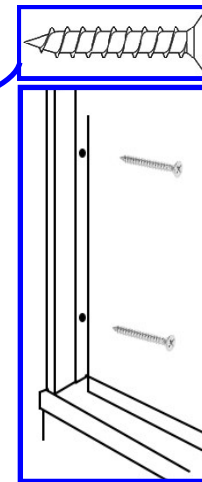
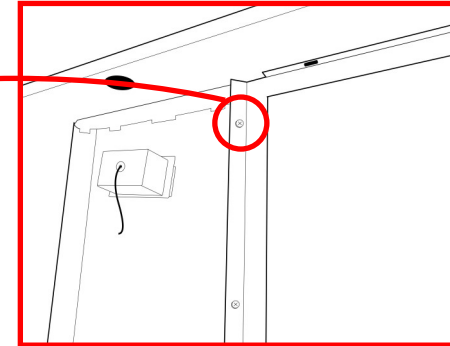
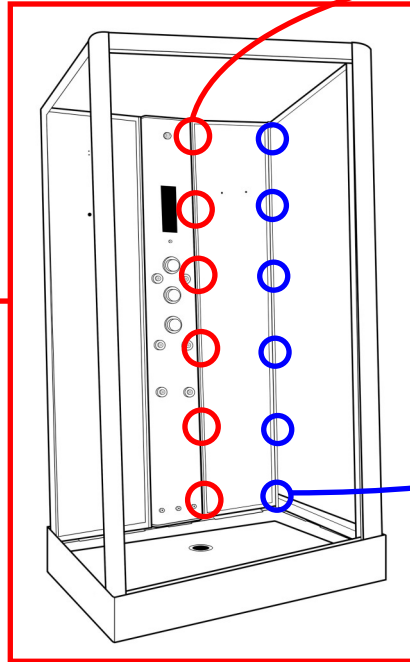
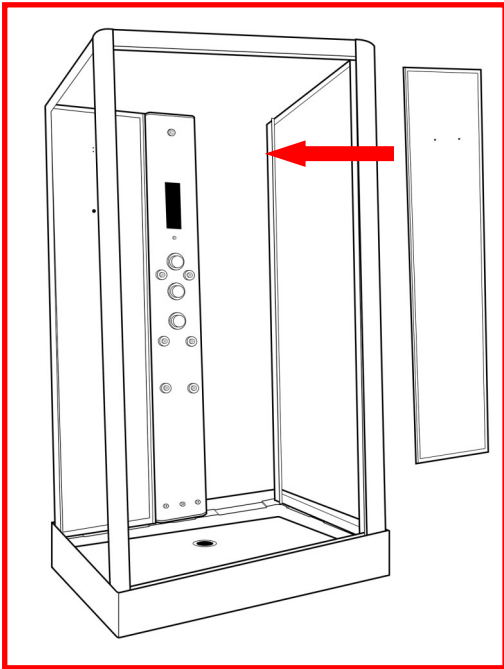
or



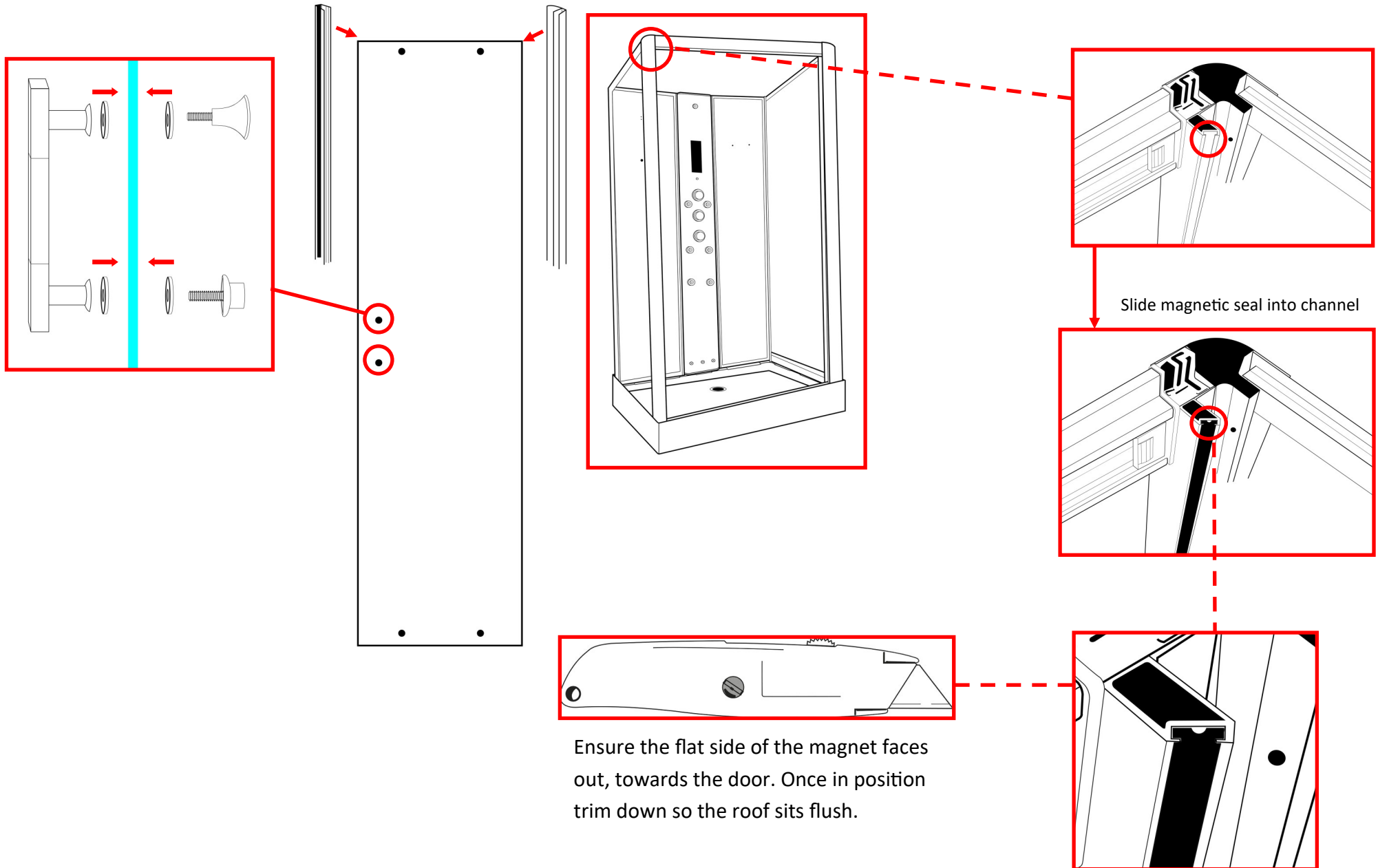
WN20 x 12



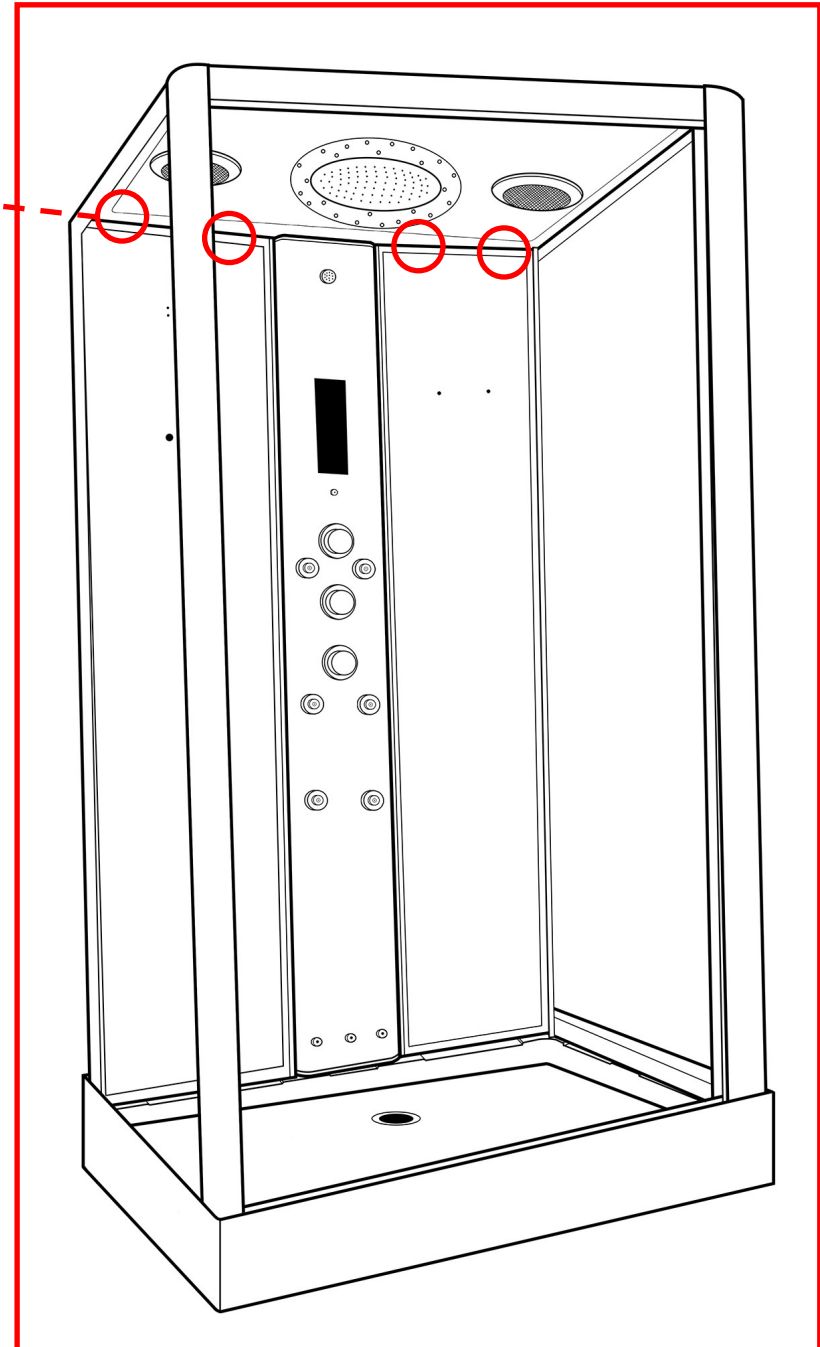
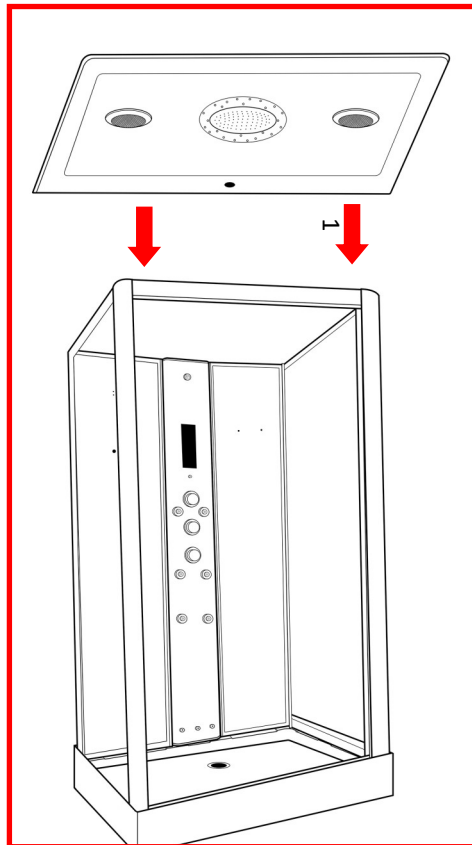
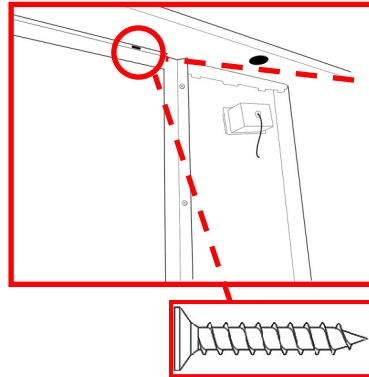
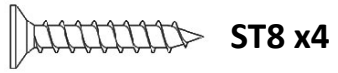
or



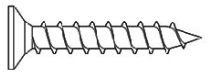
## Step 11 — Fitting door handle, seals and magnets



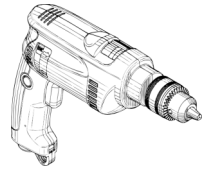
## Step 12 — Connecting the roof



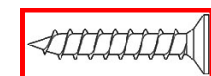
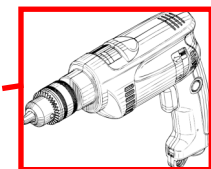
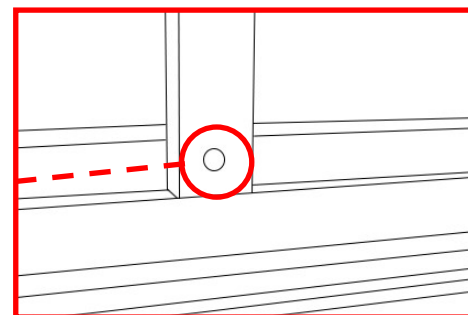
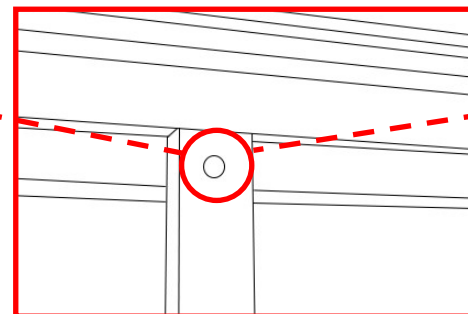
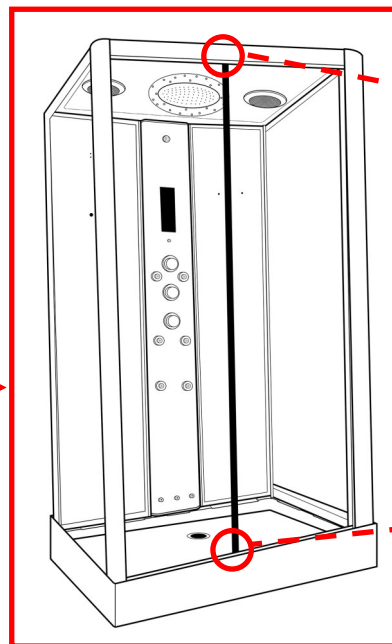
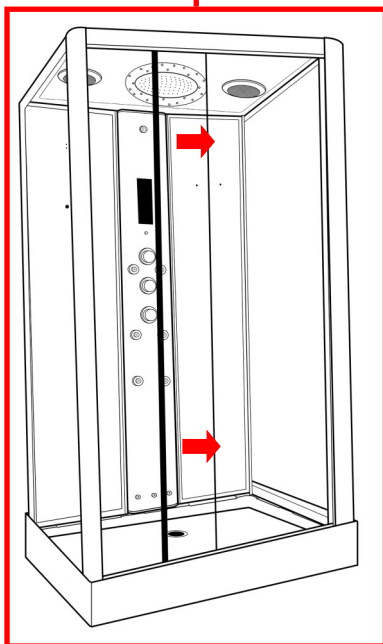
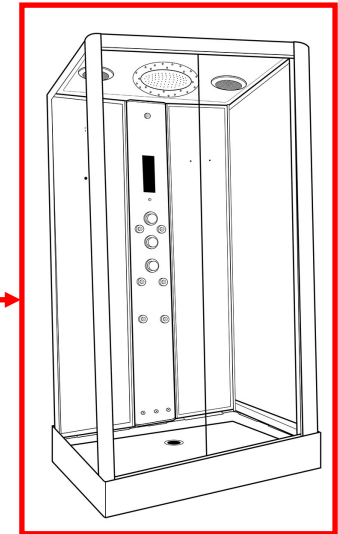
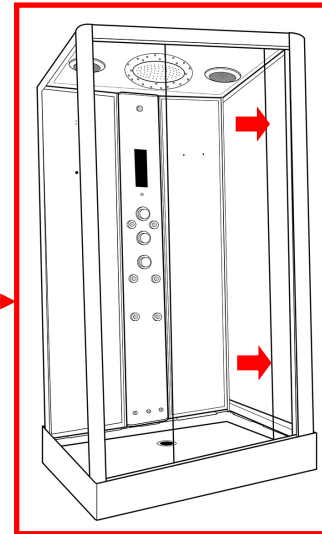
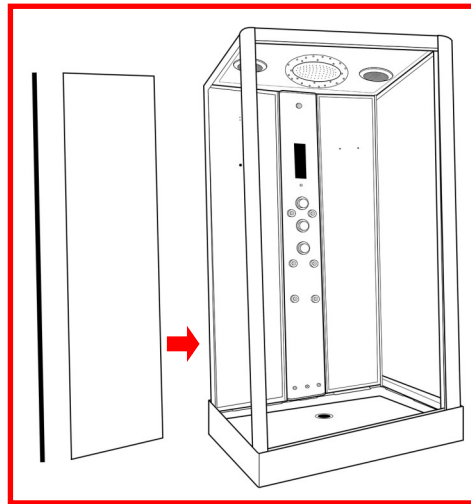
# Step 13 — Fixed Glass Connection



ST16 3.5 x2



DB 9

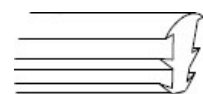


# Step 14— Fitting the seals

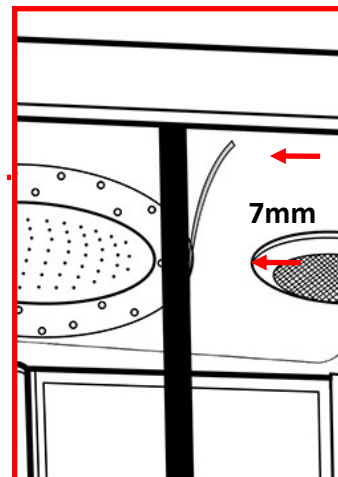
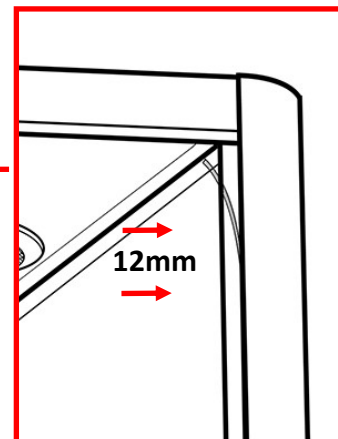
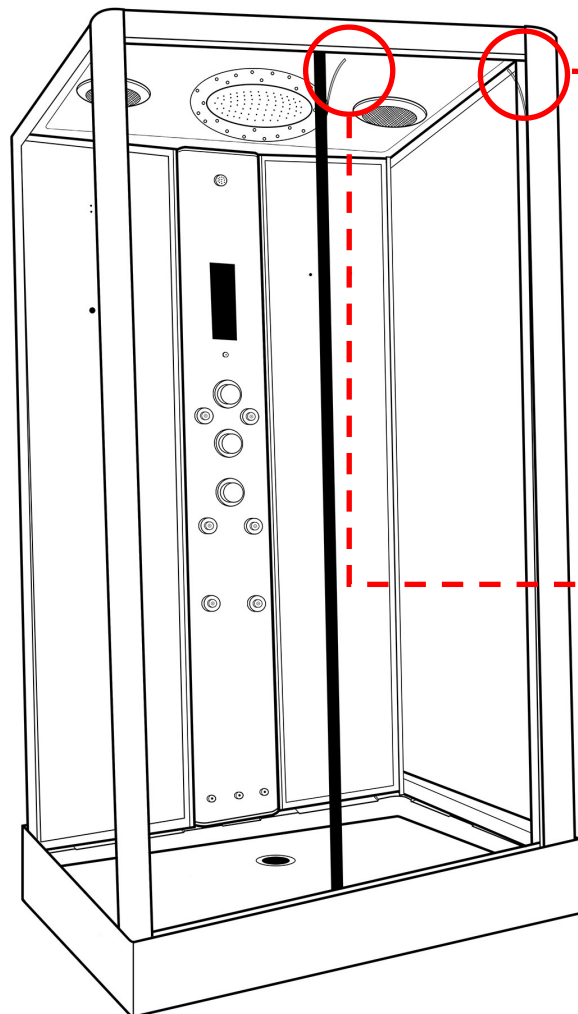
Fit the seals inside the shower



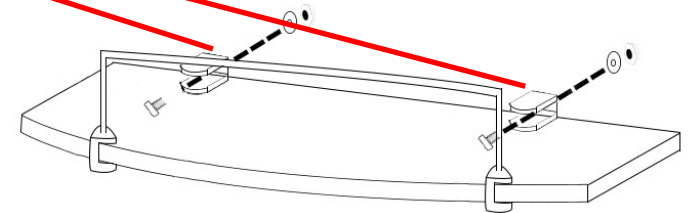
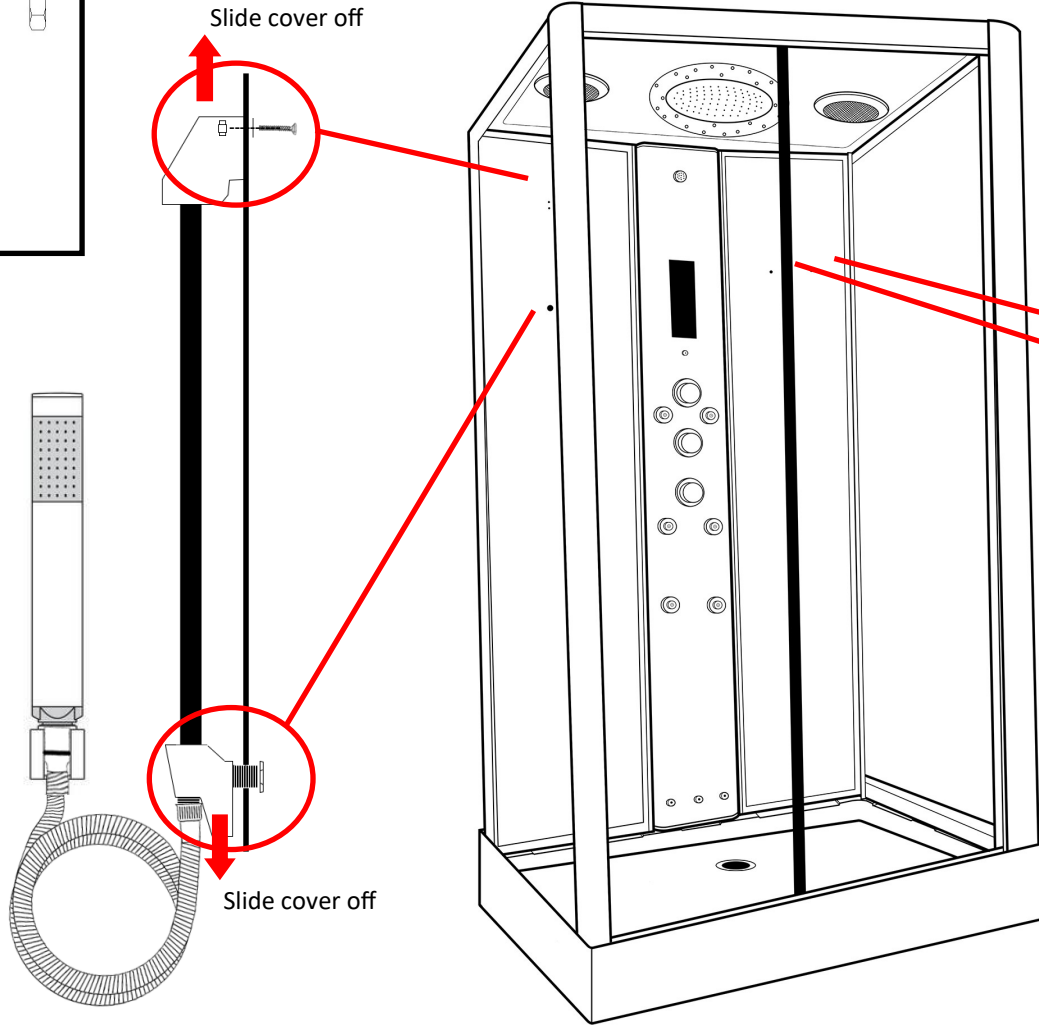
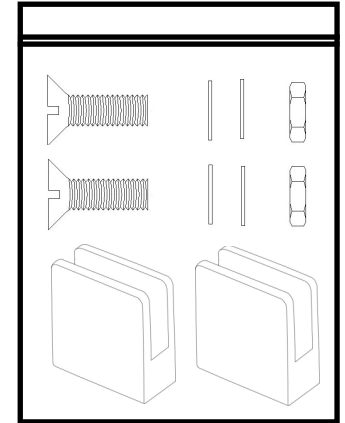
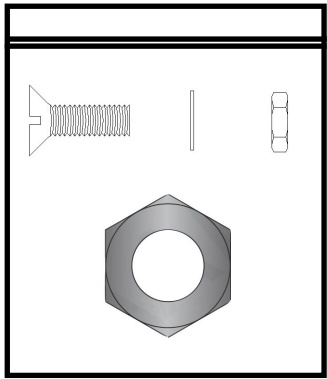
12mm Seal



7mm Seal



# Step 15 — Accessories Installation



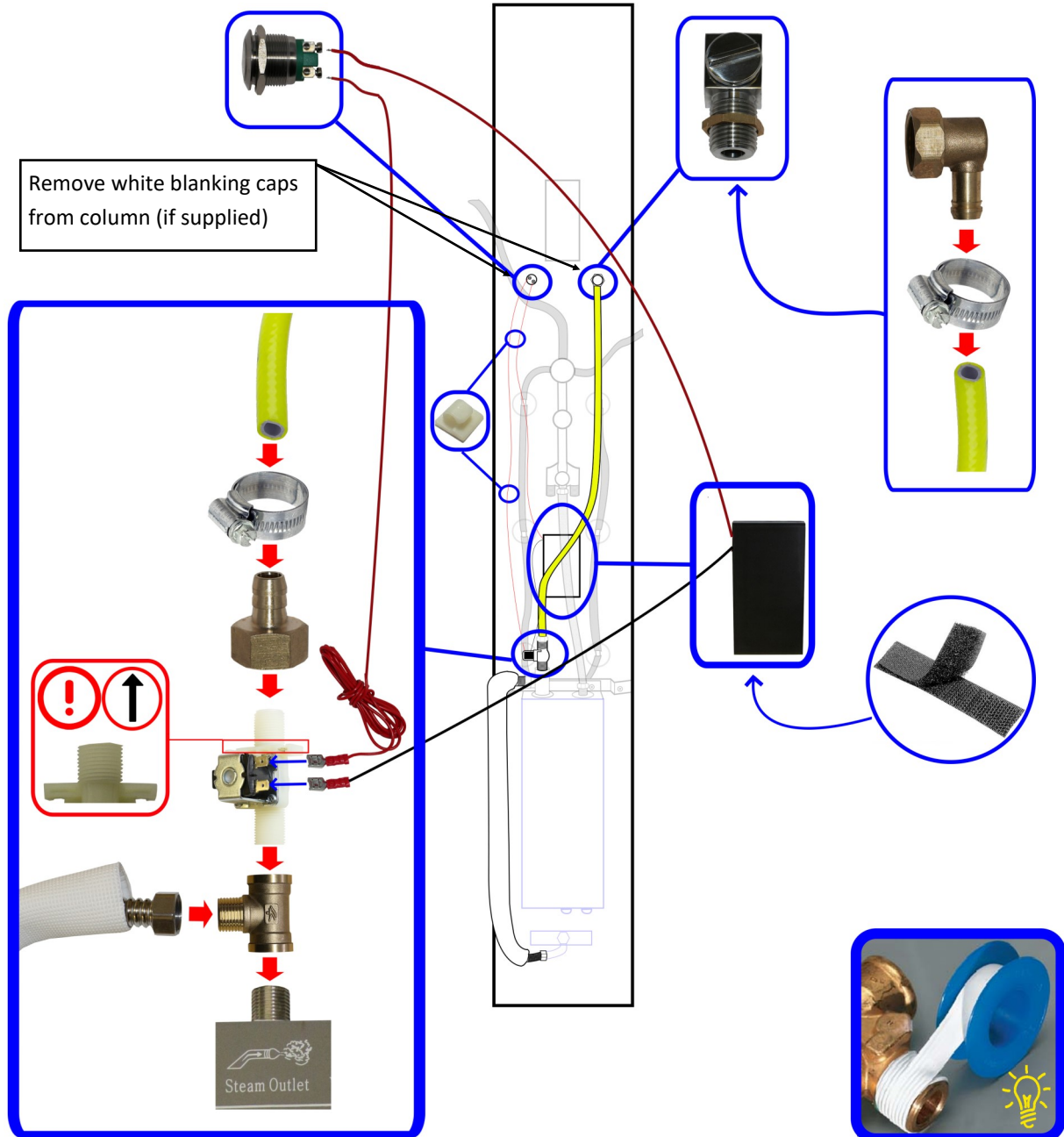


# Step 16 — Install AMI System to the rear of the column (steam version only)

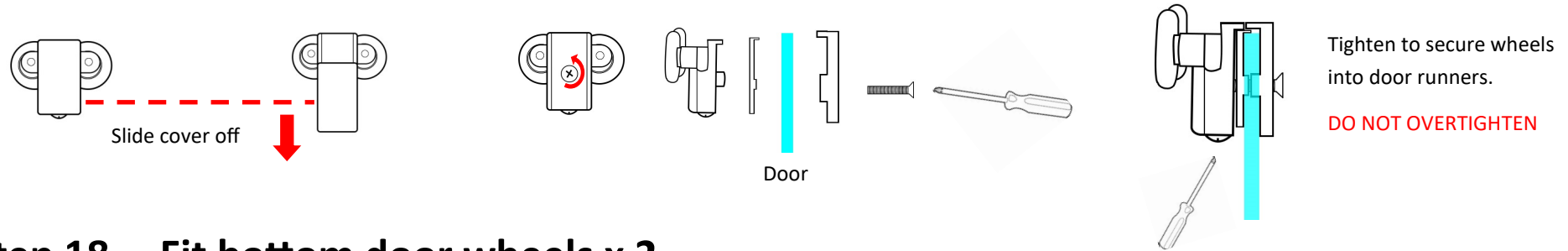


**AMI Box Contents**

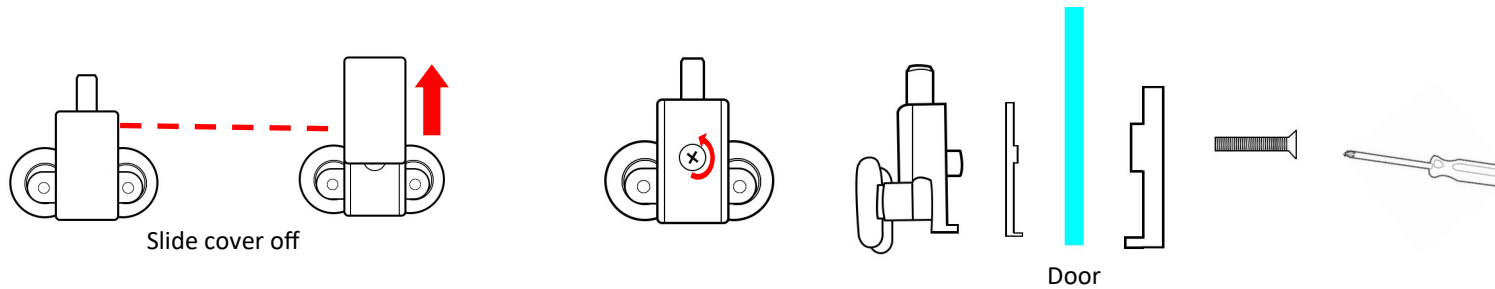
Product Code	Description	Quantity
AMI01	Jubilee Clip	2
AMI02	PVC Hose (1 metre)	1
AMI03	AMI Essence Filler	1
AMI04	Solenoid	1
AMI06	Straight Pipe Connector	1
AMI07	Battery Box (Inc Velcro)	1
AMI08	Electrical Connection Cable	1
AMI09	Cable Mount Clips	2
AMI11	AMI Injection Button	1
AMI13	90 Degree Elbow	1
AMI14	Brass T-Piece	1



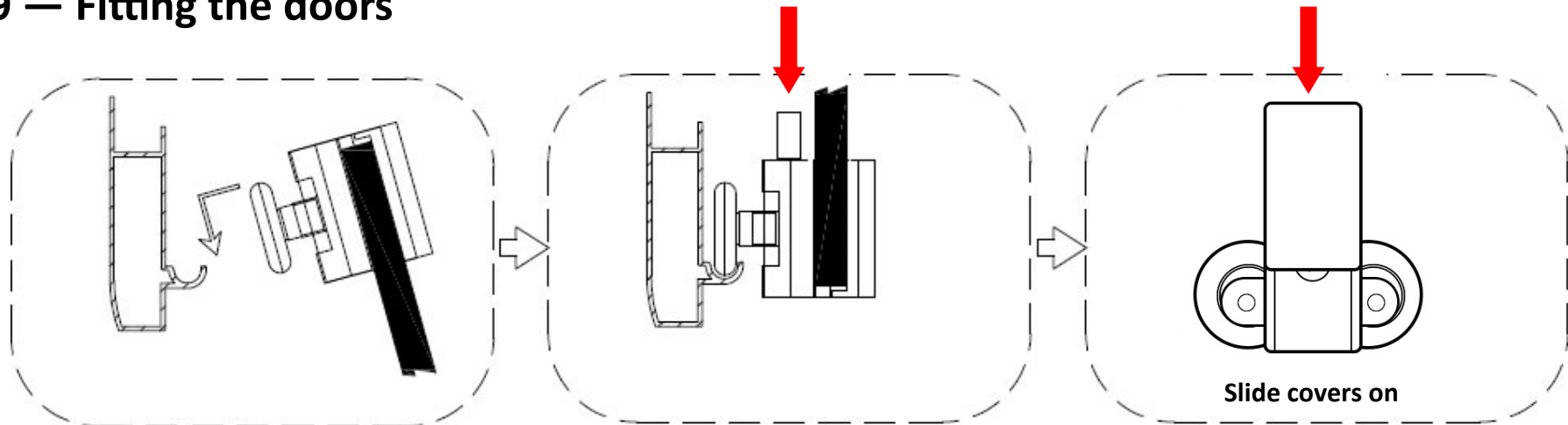
### Step 17 — Fit top door wheels x 2



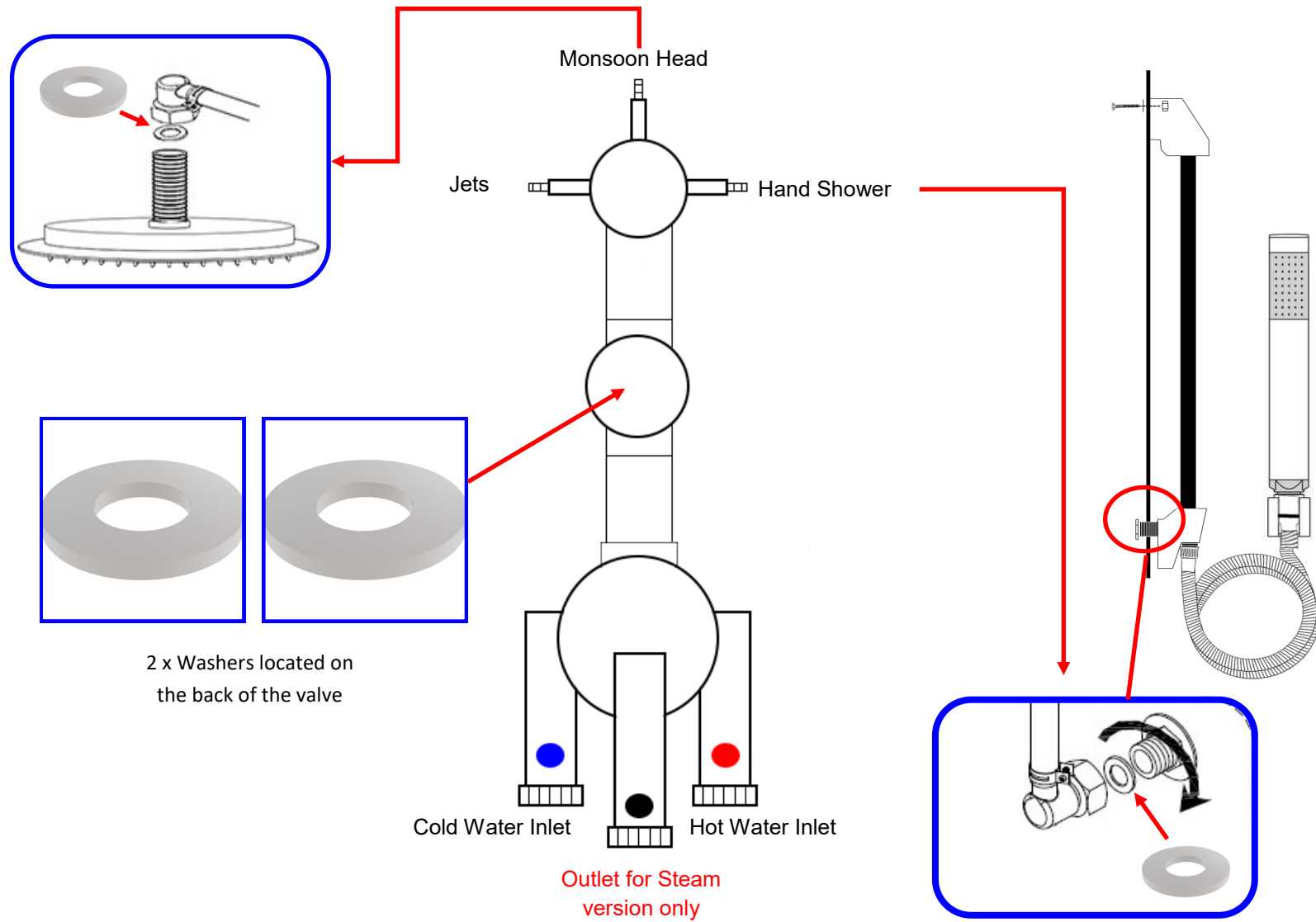
### Step 18— Fit bottom door wheels x 2



### Step 19 — Fitting the doors

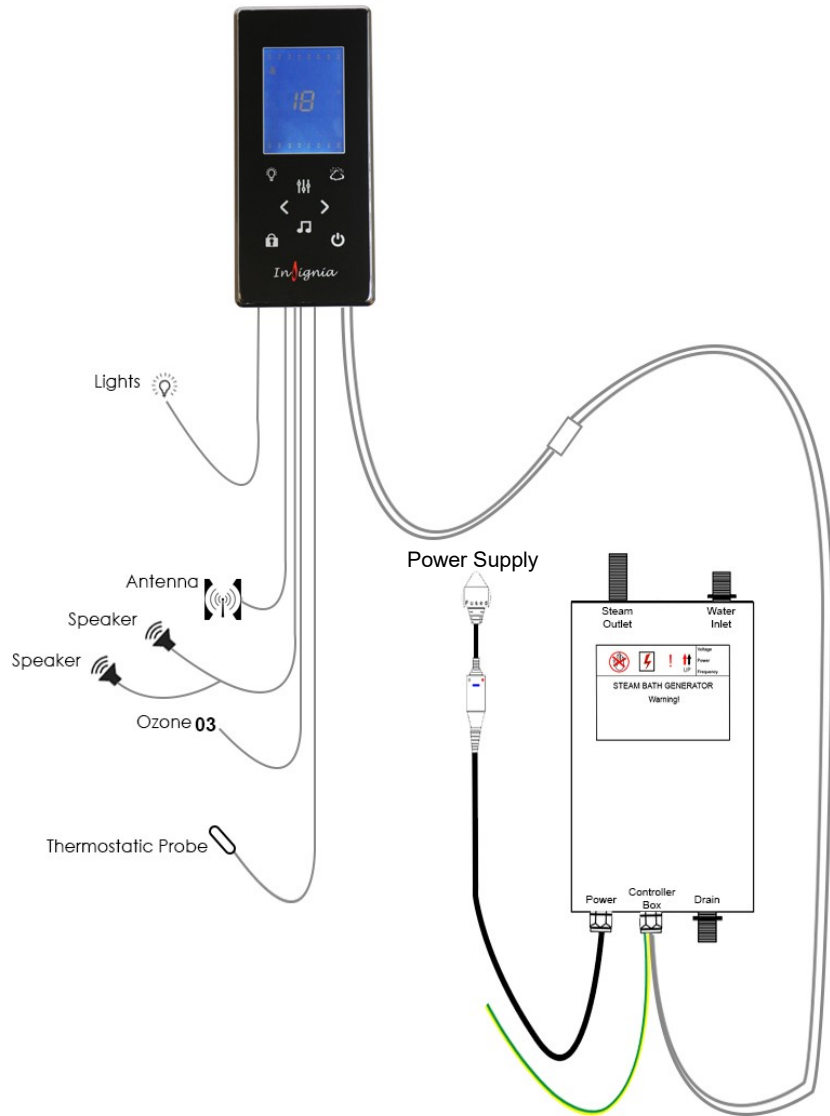


# Step 20 — Valve/Water Connections

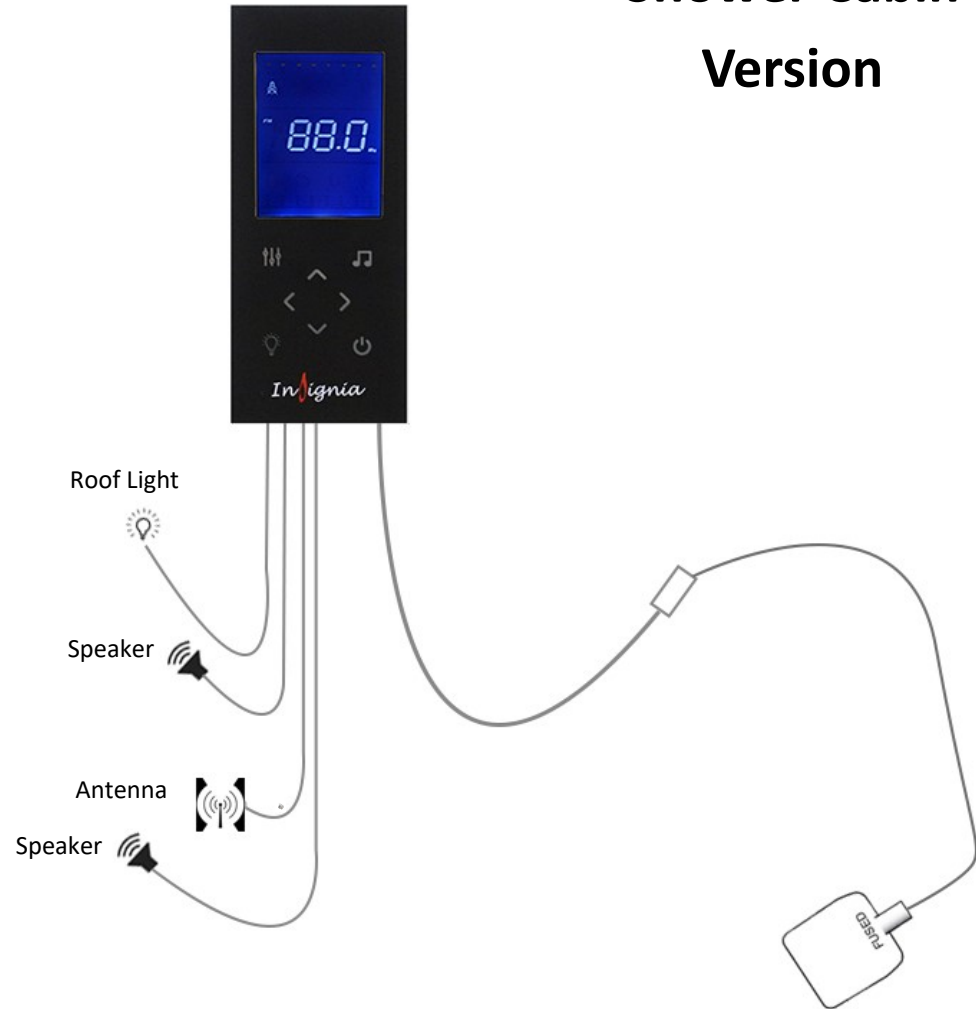


# Step 21 — Touch Control Panel Connections

## Steam Version



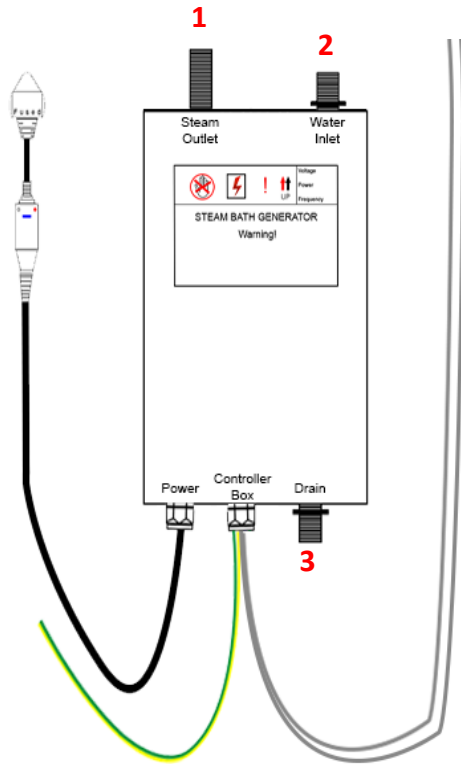
## Shower Cabin Version



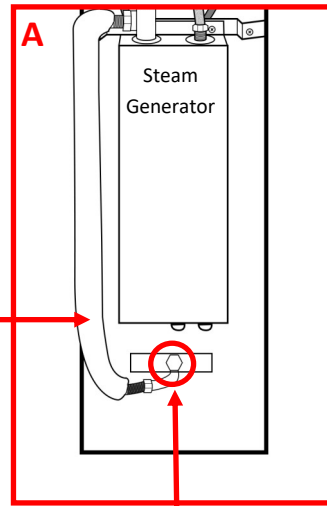
## Steam Generator Connections (steam version only)

The steam generator has 3 connections.

1. **Steam Outlet:** Connect the white insulated hose to the steam outlet within your shower as shown in image A. Make sure these are fitted in the correct position as they are only attached for transportation reasons only.
2. **Water Inlet:** Connect a braided hose (not supplied) from the shower valve's centre feed to this opening.
3. **Drain:** See next page

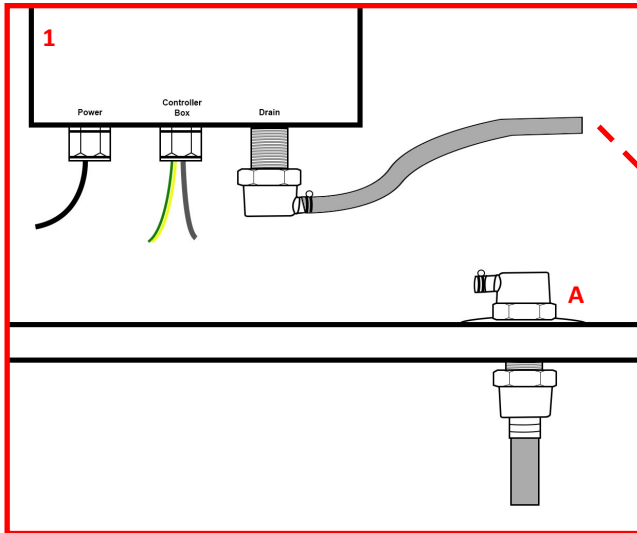


White Insulated Pipe



Steam Pod

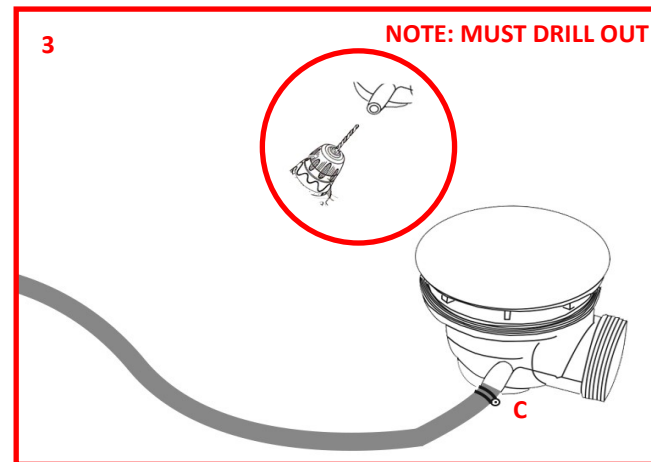
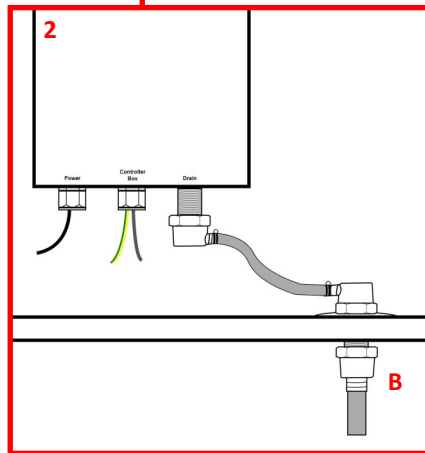
## Steam Generator Connections (steam version only)



3. **Drain: A**— Ensure this is facing the steam generator and is tightened fully, then take the hose connected to the steam drain and trim to a desired length. **(Image 1)**

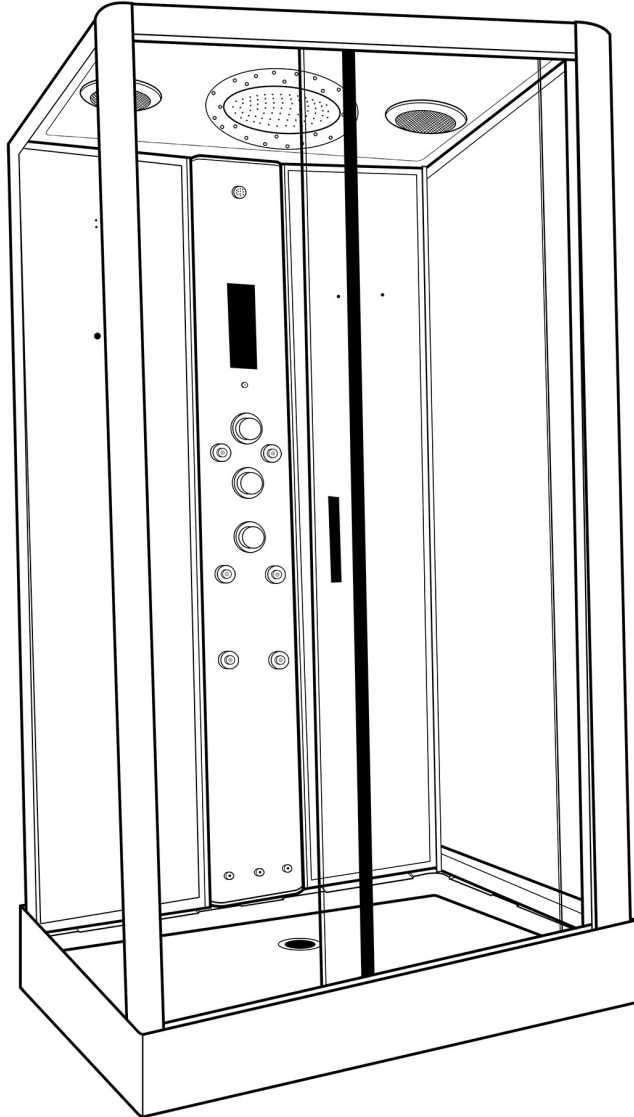
Once trimmed, connect the hose to **(A)** **(Image 2)** and secure in place with a jubilee clip from the screw pack contents.

Drill Out the spigot **(Image 3)** on the waste and connect a hose from your accessory box from the spigot **(C)**, to **(B)** and tighten using the jubilee clip provided.



## Signing off your shower

Now your shower is assembled, there is just few steps before you can sign the shower off.



1. Please ensure all the connections are watertight including the waste, body jets, internal and external hoses and steam connections (model dependent).
2. Once you are happy, check the shower functions by switching on the overhead shower and then adjust the selector knob (top knob) to the hand shower and then onto the body jets. Whilst the water is running, check external hoses for any signs or water drips or leaks and tighten accordingly.

**Please note, when testing the body jets, water will shoot towards the open doors and the user.**

3. Do not aim the hand shower directly at the joints of your shower as this does not fall under “normal showering conditions”. However, due to Insignia’s unique design of the shower tray, water will only leak back in to the tray so you won’t get flooded.
4. Visually check the water flow in to the waste and adjust the feet of the tray accordingly to ensure the direction of the water flows towards to the waste to prevent over puddling (a small amount of puddling is normal).
5. Never use the shower until all checks have been made and the installer is 100% happy in the knowledge no hose leaks are present.
6. Any RubberGum which has squeezed out between the panels and the tray, simply cut off using a sharp, clean knife blade.
7. Now push the shower from it’s base into it’s final position. **NEVER PUSH THE GLASS OR FRAME** into its final resting position.

*Happy Showering!*

## Control Panel Instructions (steam version only)



### Button 1 (Lights)

Once the control panel is switched on, the lights will come on automatically. Press the Light button once and the lights will start to scroll through the multiple colour options. Then to stop the lights on a specific colour simply press the light button again on the desired colour. To turn the lights off press the light button again.

### Button 2 (Steam)

To start the steam function, simply press the steam button (which looks like a cloud). To set the time and temperature of the steam session, simply press the mode button (button 3) and then use the arrows to scroll up and down (button 6)

### Button 3 (Mode)

This will do nothing on start-up, however it will be your go to button when using steam, radio and Bluetooth options

### Button 4 (Padlock)

This is your unlock button. After twenty seconds of inactivity the steam function will lock on the panel. This is done as a safety feature, so it can't be accidentally activated. Other buttons will remain functional whilst in this state of 'lock mode'

### Button 5 (Music)

Press once for FM Radio and press twice for Bluetooth. For tuning radio stations or connecting Bluetooth, please see the next page. For volume control, once on the radio or Bluetooth setting press Mode (button 3) then use the left and right arrows to change the volume. The volume is denoted by a number followed by the letters 'db'

### Button 6 (Left and Right Arrows)

This will do nothing on start-up, however they are multi-functional depending on what setting you are using. When in the radio setting you can use them to change the station. When using the Bluetooth setting you can skip forward or back tracks in your playlist. You can also control the volume with these arrows as directed above.

### Button 7 (Power)

Press once to turn on the panel. Simply press again to turn it off. When powering down the O3 will automatically start and last for approximately 10 minutes. After this the screen will power off.

To see our tutorial videos for operating Insignia control panel's, please search for "Insignia Showers" on YouTube and find our "Insignia Control Panel" Playlist, or you can [click here](#)



## Control Panel Instructions



### Button 1 (Radio Search)

With the Radio function active, press to allow manual searching of a station.

### Button 2 (Mode)

Press x1 to turn on the radio (whilst active press and hold to do an auto search for stations)

Press x2 to activate the Bluetooth

### Button 3/7 (Audio Volume)

Press up or down to increase or decrease the volume in the cabin. Also use this when manually searching for a radio station.

### Button 4/5 (Skip button)

Press to skip radio station on the radio setting. When the Bluetooth is activated this will skip to the next song in your playlist.

### Button 6 (Lights)

Press to activate or deactivate the lights.

### Button 8 (Power Button)

On/Off.

To see our tutorial videos for operating Insignia control panel's, please search for "Insignia Showers" on YouTube and find our "Insignia Control Panel" Playlist, or you can [click here](#)

# Control Panel Instructions

## Connecting to Bluetooth

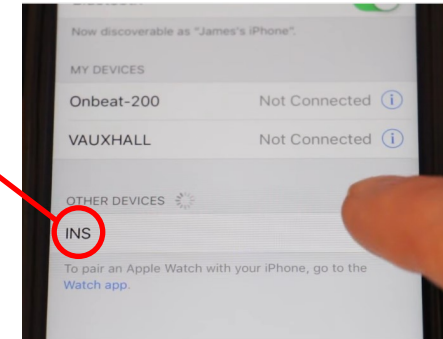


### Step 1

To connect a device via Bluetooth, press the music function button twice (which looks like a musical note) the control panel will then show "INS".

### Step 2

Then simply go on your device and pair up with the shower which should be shown as "INS". Once this is complete you will hear a beep to signify you're connected and ready to listen to any music of your choice.



## Tuning your radio channels



### Step 1

To tune your radio channels firstly press the music function button (which looks like a musical note)



### Step 2

Then once the radio is on press and hold the mode button until it starts scrolling.



### Step 3

Finally, once the panel has finished scrolling then use the left and right arrows to cycle through all the radio stations that were found.

## Parts List

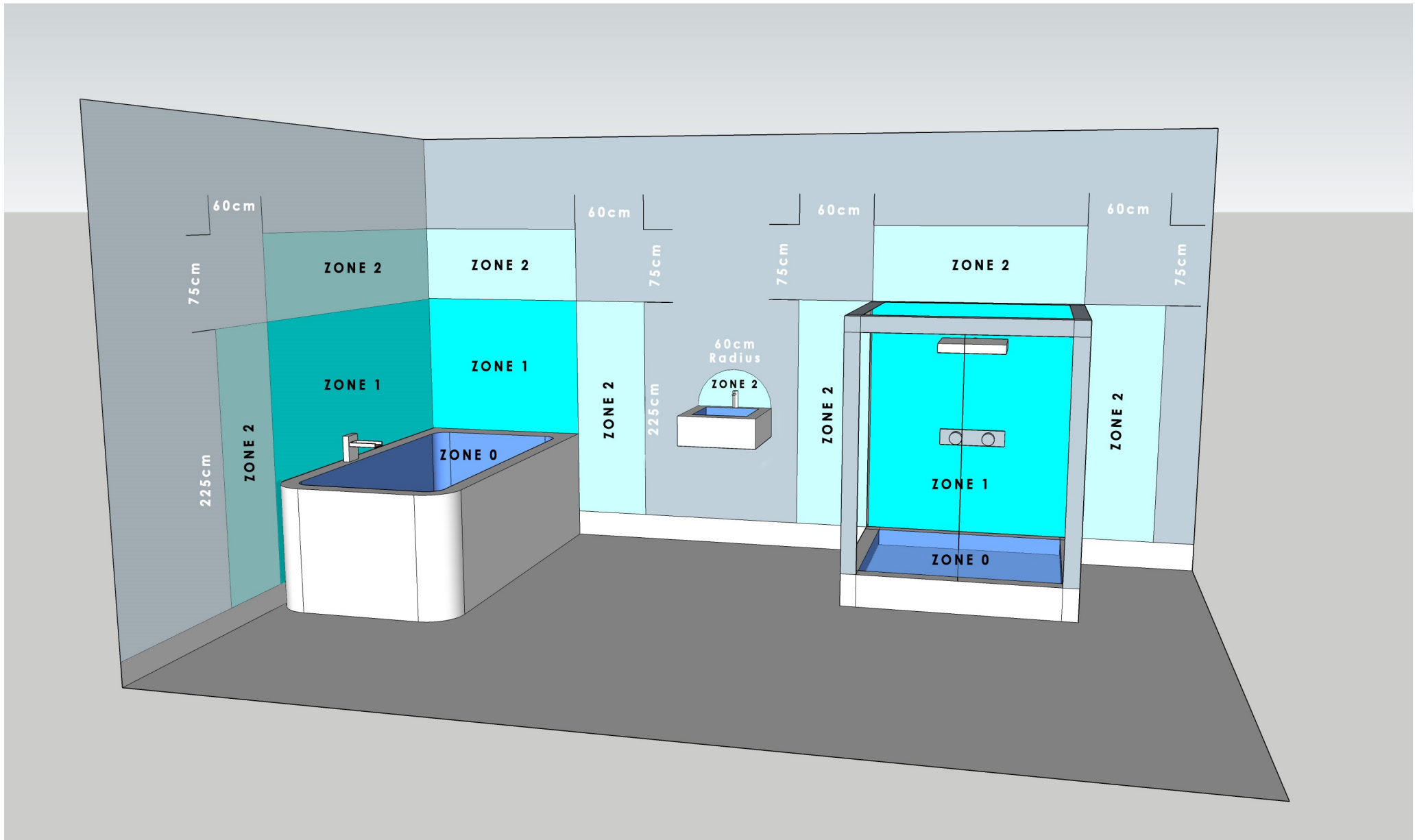
### Internal Items

Part Code	Part Description
SP333	Monsoon Shower head
SP078	Ozone Module (steam version only)
SP174	Round Body Jet (Two Open Ends)
SP174a	Round Body Jet (One Open End)
SP236	Complete riser bar
SP112 (warranty)	Shower holder (for riser bar)
SP120 (warranty)	Water Inlet (bottom part of riser bar)
SP142	Shower waste
SP097	Chrome rectangular door handles
SP190	Glass Shelf
SP196	Thermo sensor holder (steam version only)
SP072	Door stoppers
SP276	Twin Door Wheels Non-Push
SP276A	Twin Door Wheels Push Button
SP034	Tri-Jet system (steam version only)
SP105	Chrome Flexible Hose
SP060	Electrical extension cable
SP270	Chromotherapy Lighting
SP036	Speaker
SP228	Speaker cover
SP211	12V Transformer (non-steam version only)

SP337	Insignia Control Panel (non-steam version only)
SP117	Insignia Control Panel (steam version only)
SP227	Microphone Style Hand Shower
SP194	Fixed Glass Seals (12mm)
SP197	Fixed Glass Seals (7mm)

Part Code	Part Description
SP300	Waste hose
SP301	White insulated pipe
SP187	Drain Hose (steam version only)
SP234	Vertical steam generator/Electric box (steam version only)
SP308	Magnetic door seals
SP310	Rear door seals
SP173	3 port—3 feed thermostatic valve
SP089	3 port—2 feed thermostatic valve
SP095	3 Port Selector Cartridge
SP044	On/Off Water Mixer Valve
SP182	Vernet Screw Fit Thermostatic Cartridge
SP043	Plastic Thermostatic Valve Safety Lock Ring

# Bathroom Electrical Zones



There are 3 bathroom electrical zones that have been distinguished in the IEE wiring guidelines and these are:

**Zone 0** is the area inside a bath, basin or shower. It's characterised as 'any area within a bathroom that can hold water'. Any fitting or electrical appliance utilised inside zone 0 must be a maximum of 12 volts (SELV) and completely secured against both partial and total submersion in water (minimum of IPX7)

**Zone 1** is the region straight above zone 0 to the height of 2.25m from the base of the bath or shower. It covers the width of the shower cabin or length of the bath. Consider zone 1 to be the 'splash zone', where a fitting or electrical appliance is probably going to get exceptionally wet, very rapidly, however would not be totally immersed in water. Any fitting or electrical appliance inside zone 1 must be IPX4 (splash proof) or have a limit of 12v (SELV) with the transformer situated past zone 2.

**Zone 2** is the area extending to 600mm outside of the bath or shower, be that above or to the sides of each. This is commonly the region which is least likely to get wet however there is a likelihood for it to be splashed. Any fitting or appliance inside zone 2 has to be IPX4 (splash proof) or have a maximum of 12v (SELV) with the transformer situated past zone 2.

### **Outside zones (Beyond Zone 2)**

At the point where the size of a bathroom goes past zones 0, 1 and 2, portable electrical appliances can be utilised if their cord length doesn't allow them to be used in zone 2. For example, a hairdryer can be used in the outside zones provided its extended length doesn't enable it to be used in zone 2. Despite the fact that installing electrical appliances past zone 2 is allowed without an IP number, it is recommended that electrical appliances have some type of protection from moisture.

The Ingress Protection or IP number denotes the amount of mechanical and moisture protection an electrical appliance has. The 'IP' notation is followed by 2 numbers that show a numerical degree of mechanical and moisture protection.

The higher the number, the better the assurance it has against moisture/damage. If an appliance does not have an IP number it should never be used in zones 0,1,2 or anywhere that has a wet or damp environment.

All electrical circuits inside a bathroom must be protected by an RCD (residual current device), commonly known as a circuit breaker, not surpassing 30mA. RCD's ascertain when an electric current is not functioning normally and break the flow of the current if necessary, to guarantee that you are safe whilst using it.

Precaution should always be taken when introducing any electric appliance into a bathroom. We always advise using a registered bathroom fitter or electrician.

**\*The information on this page is for guidance only and you should always refer to the current IEE regulations of a qualified fitter or electrician to guarantee you are aware of the latest regulations and codes of practice.**

## WEEE Compliance Statement

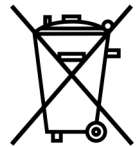
The UK Waste Electrical and Electronic Equipment (WEEE) regulations came into force on 2 January 2007. Under this new legislation, producers of electrical and electronic equipment (EEE) have to fulfil certain obligations.

Under the WEEE directive Insignia is considered the producer of certain products we supply and in line with the demands of the legislation we are pleased to offer the opportunity to return these products to us for treatment and recycling.

Insignia products will generally have an identifying mark and the common crossed out wheelie bin label. We accept returns of all products carrying the Insignia brand. All other products are either considered outside the scope of WEEE or Insignia is not technically the producer of these products. Insignia also accepts historic like-for-like WEEE returns. All WEEE returned to Insignia will be recycled in appropriate treatment and recycling centres in accordance with the legislation. If you wish to return any products to us, please send your item(s) to our head office.

Company Contract No. 326457

WEEE Producer No. CBDU64227



### LABELLING

Products labelled with the WEEE symbol (a crossed out “waste bin”) indicate that the final user should not discard this product along with other household waste, but that it must be collected and treated separately.



### Returns Address for WEEE

Insignia

9a Deans Road, Old Wolverton, Canon Industrial Park, Milton Keynes, Buckinghamshire, MK12 5NA, UK



### EU – Declaration of Performance

Insignia declares that all its products complies with the essential requirements and other relevant provisions of Directive 305/2011/EC. A copy of the Declaration of performance is available from [www.insigniarange.co.uk/ce.aspx](http://www.insigniarange.co.uk/ce.aspx)

Insignia™ is a registered trademark of Maclean International Ltd, 9a Deans Road, Old Wolverton, Canon Industrial Park, Milton Keynes, Buckinghamshire, MK12 5NA, UK

All images are subject to copyright. Images may not be used in any way shape or form with out written permission from Maclean International Ltd. Images are NOT permitted to be saved, printed or uploaded. Violation of copyright laws are punishable by law.

All images are registered with  
ImageTraker

Insignia™ is a registered trademark of Maclean International Ltd

All images are subject to copyright. Images may not be used in any way shape or form with out written permission from Maclean International Ltd. Images are NOT permitted to be saved, printed or uploaded. Violation of copyright laws are punishable by law.

## **Check out our full range of Shower Enclosures**

Quadrant Shower Enclosures

Corner Entry Shower Enclosures

Walk in Shower Enclosures

Sliding Shower Doors

Bifold Shower Doors

Pivot Shower Doors

Hinged Shower Doors

Shower Screens

## **From Top Brands**

Coram Shower Enclosures

Mira Shower Enclosures

Hydrolux Shower Enclosures

Diamond Shower Enclosures

## **With quality shower trays to match your enclosure**

Square Shower Trays

Rectangular Shower Trays

Quadrant Shower Trays

Coram Shower Trays

Mira Flight Shower Trays

**plumbworld**  
**Big brands, small prices.**