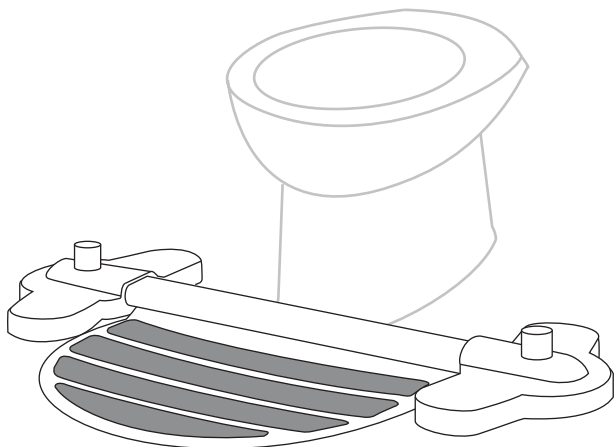
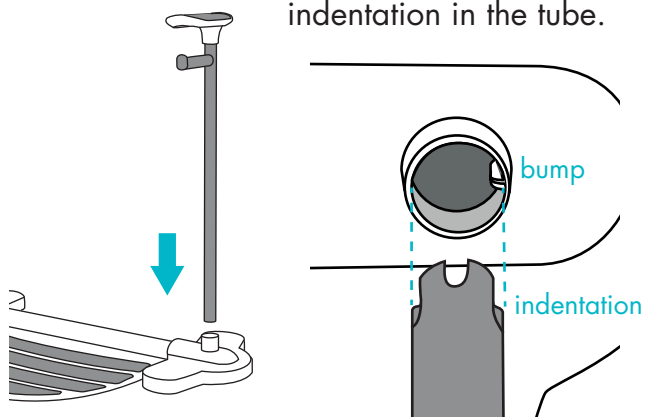


Thanks for your purchase of the Arthr Toilet Assist, we hope it helps make life easier whilst making your home brighter. The below steps show how to assemble it, if you get stuck please contact us at info@arthr.com

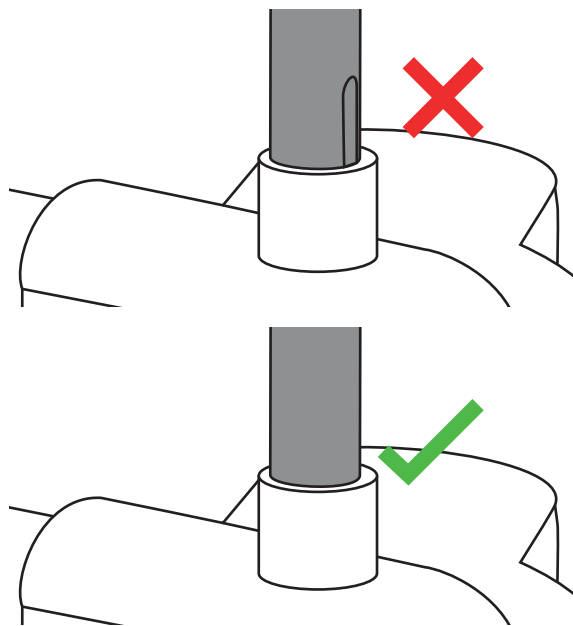
1. Position the base in front of the toilet. Decide which side you'd like the toilet roll holder.



2. Insert the handle upright with toilet roll holder into the base on the side you've decided. Make sure the handle points forward and the bump inside the hole lines up with the indentation in the tube.



3. Ensure the handle upright is pushed all the way home so the indentation is no longer visible. Get someone to help if you find this difficult.



4. Repeat steps 2 and 3 for the second handle upright.

5. Make sure both uprights are pushed fully home and are stable before you use the Toilet Assist

Clean with a soft damp cloth and warm soapy water. Do not use scouring powder, scouring pads or abrasive cloths as these may scratch the surface. The stainless steel handle should be rinsed with clean water and dried. Never use bleach, concentrated cleaners or acids on the stainless steel parts as this will cause discolouration and pitting.

Check out our full range of Bathroom Suites

Bathroom Suites By Range

Cloakroom Suites

Toilets

Bathroom Sinks / Wash Basins

Bidets

Baths

Wide variety of toilets

Close Coupled Toilets

Wall Hung Toilets

Back To Wall Toilets

Furniture unit toilets

Huge Selection of Baths

Acrylic Baths

Steel Baths

Shower baths

Freestanding baths

Small baths

Corner baths

Whirlpool baths

Don't forget the important bathroom suite extras

Bath panels

Toilet seats

plumbworld
Big brands, small prices.