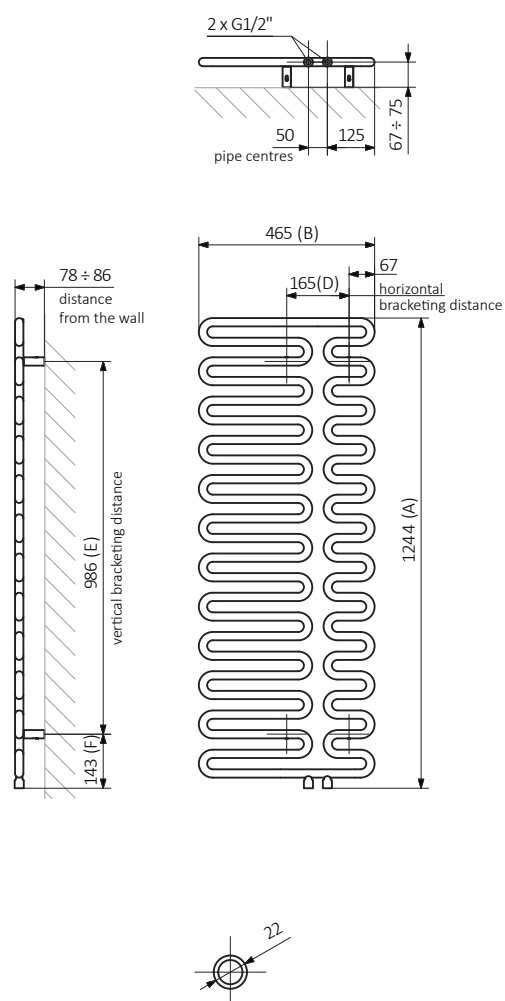


## Installation guide Swale 1244 x 465 mm

Please read the instructions in full before starting to fit your radiator.

- Please check that all parts listed are present before starting installation.
- Valves are not provided, please make sure that you have them before you start. This product requires standard 1/2" radiator valves.
- Before drilling holes for the brackets please check that there are no hidden wires or pipes.
- The plugs supplied are for hard walls masonry only. Please make sure you are using the correct plug for your wall.
- Terma radiators are designed for closed heating systems.
- The radiator should be fitted at least 100 mm from the floor to maximise heat efficiency.
- Noting the distances between bracket centres, mark out the position of the brackets on the wall.
- Drill holes to approximately 80 mm depth using a 10 mm drill bit and insert rawl plugs (1). Using connecting screw with a washer (2) attach mounting bracket-1 (3).
- Using bracket to collector fixing screw (5) attach mounting bracket-2 (6) to radiator.
- Guide all mounting brackets-2 (6) into mounting brackets-1 (3) and fix with connecting screws (4)
- Connect the water flow using appropriate 1/2" BSP valves. Follow valves manufacture guidelines for correct installation.
- Fill the radiator and purge any trapped air via the bleed valve at the top of the radiator.
- Wipe your radiator down using a clean damp cloth. Never use scourers or abrasives.



### Fixing kit content

rawl plug (1)



wall fixing screw + washer (2)



mounting bracket-1 (3)



connecting screw (4)



bracket to collector fixing screw (5)



mounting bracket-2 (6)



air vent \*



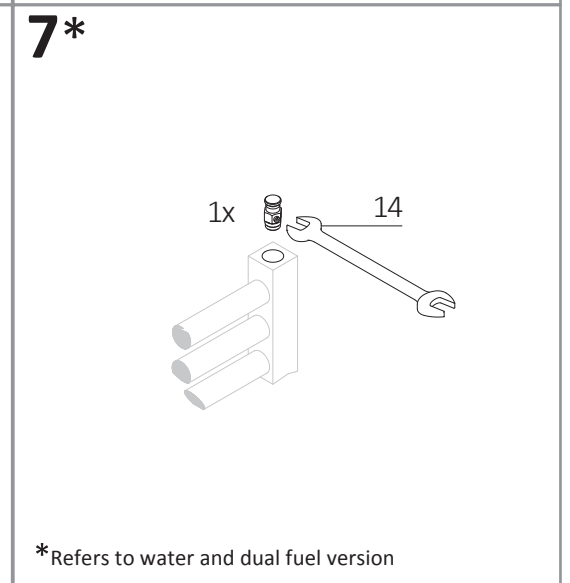
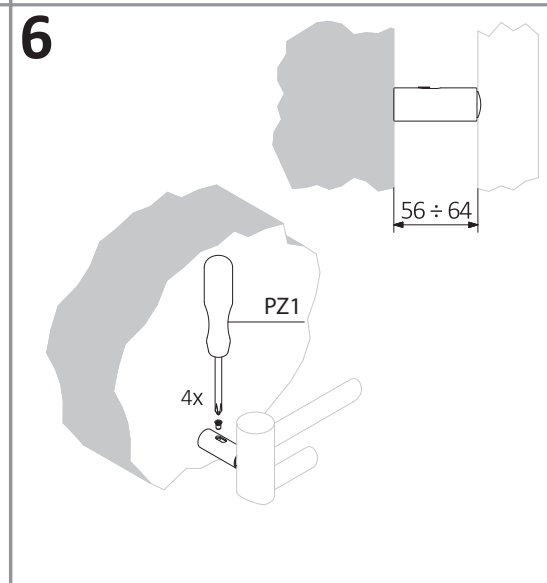
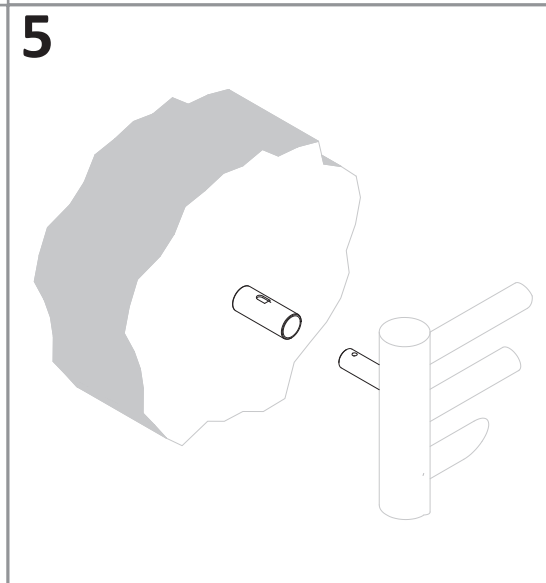
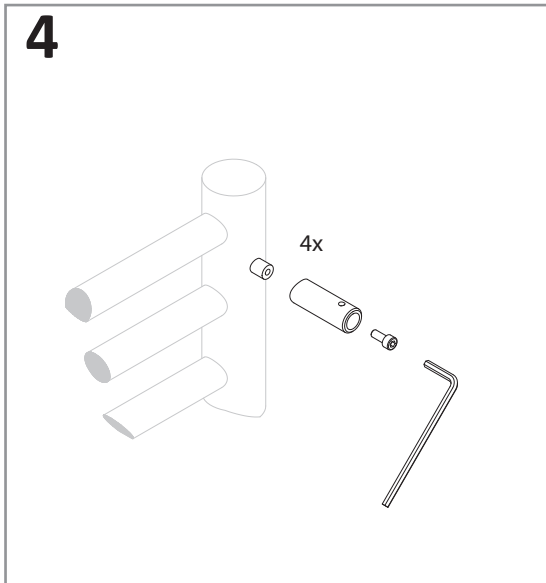
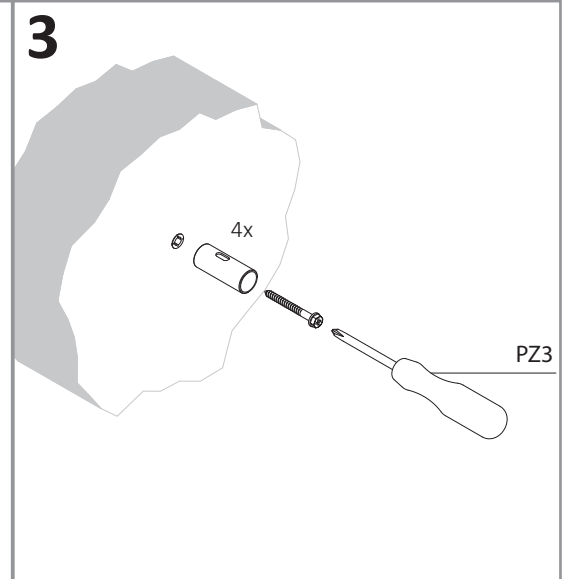
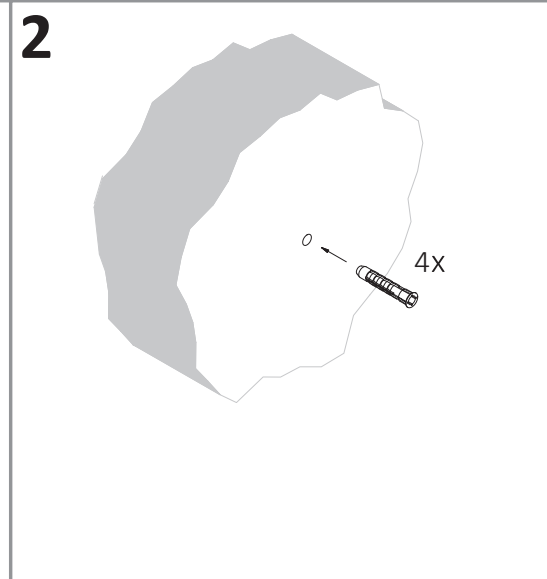
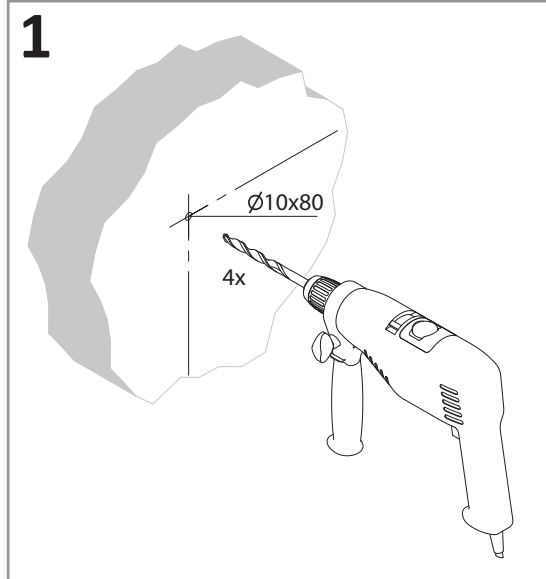
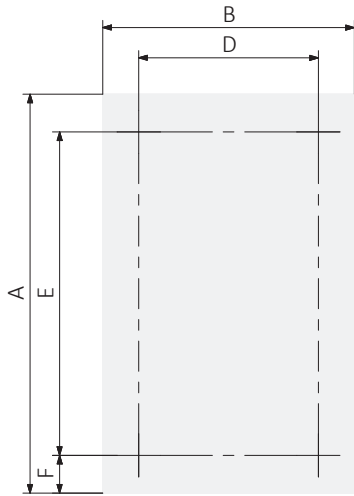
allen key



\*Refers to water and dual fuel version

For all installation and warranty enquiries please contact **Crimson Bear Customer Support** on **01535 636256**

Mounting bracket TERMA CK  $\varnothing 32 \div 40$ ;  $56 \div 64$  mm; 4x



\*Refers to water and dual fuel version