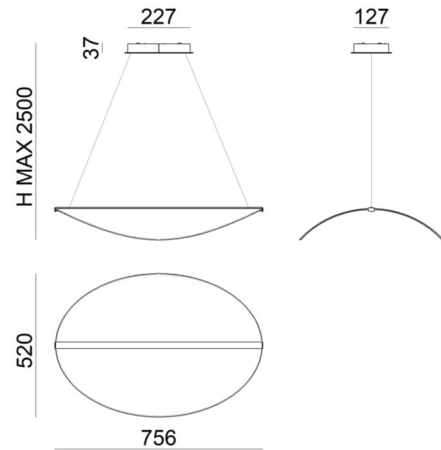


Diphy_P1



Pendant Luminaires | 220-240 V
topLED 40 W DC - 40 W AC | CRI 90
8170



Technical data	
Construction year	2017
Type	Surface
Installation position	Ceiling
Installation environment	Indoor
Light Source	LED
Optics	General Lighting
Light emission direction	downward
Power	40 W
Source lumens	5239 lm
Frequency	60 - 50 Hz
CCT / Tone	3000 K
Colour rendering index	90 Ra
C.C. / C.V.	AC
Safety class	1
IP	IP20
Glow wire test	650°
Direct mounting on normally flammable surfaces	Yes
CE	Yes
Driver included	Driver
Dimmable article	DALI - PUSH DIM
Directional	No
Tilting	No
Walk-over	No
Drive-over	No
Cable included	Yes
Cable length	2.2 m
Resin potting	No
Type of light emission	Double emission
Net weight	2.910 Kg
Electrostatic discharge protection	No
Surge protection	No

Finishing casing

Material	Aluminium
Colour	embossed white RAL 9003
Processing	Coating

Finishing diffuser

Material	PMMA
Colour	transparent
Processing	Laser engravings

Finishing mounting frame

Material	Iron
Colour	embossed white RAL 9003
Processing	Coating



Pendant Luminaires | 220-240 V | topLED 40 W DC - 40 W AC | CRI 90 | Base 8170

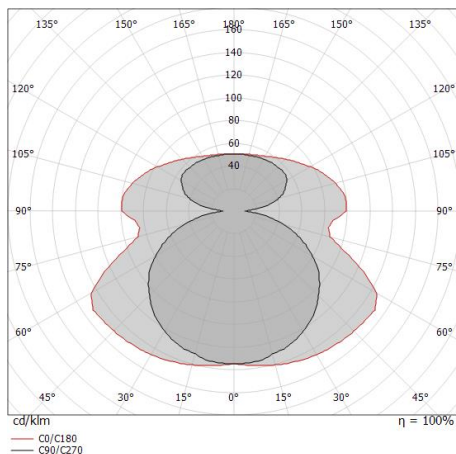
Double emission pendant luminaires for indoor application. The warm white LED light source with a general lighting light distribution is composed of 140 topped LEDs with CCT of 3000 K and a CRI 90; the source luminous flux is 5239 lm, with a 131.0 lm/W nominal luminous efficacy.

The device body is made of aluminium and features a embossed white ral 9003 finish, processed by means of coating; the diffuser is made of pmma with a laser engravings treatment; the mounting frame is made of iron, with a embossed white ral 9003 finish, processed by means of coating. The ingress protection degree is IP20; the total weight is of 2.910 kg.

The total absorbed power is 40 W. The power supply cable is included and features a 2.2 m length.

The device features protection class I and can be ceiling-mounted.

Compliant with the EN 60598-1 standard and its specific provisions.



Illuminotechnical Features	
Light Output Ratio (LOR)	67 %
Source lumens	5239 lm
Delivered lumens	3526 lm
Consumption	40 W
Luminaire efficacy	88 lm/W
Colour temperature	3000 K
Standard Deviation of Colour Matching	3 Step MacAdam
Colour rendering index	90 Ra
Junction temperature (lighting fixture)	80
Standard Operating Ambient Temperature	25

LED Life / Failure Ratio	
L80 B20 C0	80000h

UGR	
UGR axial	< 22
UGR transversal	< 28
X=4H Y=8H	S=0.25H
Reflection factor	70/50/20

OPTICAL	
Light distribution simmetry	Asymmetrical
C0/C180 optics	180°
C90/C270 optics	132°



Diphy_P1 | Pendant Luminaires | Accessories
8170



Dimmer
Bluetooth, 220-240V

Code
KIT0079